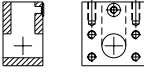
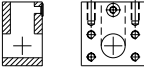
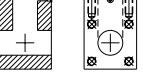
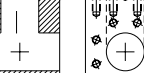

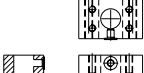





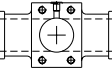
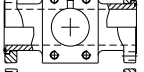
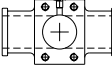
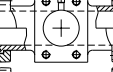
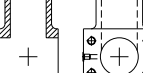
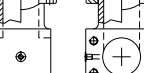




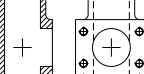
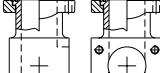
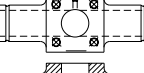
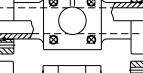
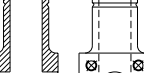
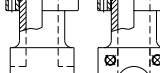




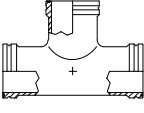
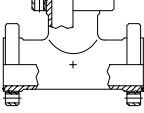
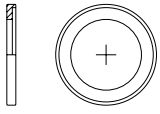
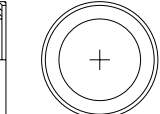


Tees - Metric Visual Index (page 1 of 2)

<p>BLOCK STYLE</p>	<p>BTM34 ISO 6162-1</p>  <p>1/2" - 3" Page H3</p>	<p>BTM64 ISO 6162-2</p>  <p>1/2" - 2" Page H3</p>	<p>BTM74 ISO 6164</p>  <p>2 1/2" - 4" Page H4</p>	<p>BTM48 TMI® 8-BOLT</p>  <p>5" - 8" Page H5</p>
<p>REDUCING BRANCH BLOCK STYLE</p>	<p>BTRM34 ISO 6162-1</p>  <p>1/2" - 3" Page H6</p>	<p>BTRM64 ISO 6162-2</p>  <p>1/2" - 2" Page H7</p>	<p>BTRM74 ISO 6164</p>  <p>2 1/2" - 4" Page H8</p>	<p>BTRM7-34 ISO 6164/6162-1</p>  <p>2" - 4" Page H9</p>
<p>BTRM7-64 ISO 6164/6162-2</p>  <p>2" - 4" Page H9</p>	<p>BTRM48 TMI® 8-BOLT</p>  <p>5" - 8" Page H10</p>	<p>BTRM4-74 TMI® 8-BOLT/ISO 6164</p>  <p>4" - 8" Page H11</p>	<p>SPLIT FLANGE BLOCK STYLE</p>	<p>SFTM34 ISO 6162-1 BODY ONLY</p>  <p>1/2" - 3" Page H12</p>
<p>A/SFTM34 ISO 6162-1 ASSEMBLY</p>  <p>1/2" - 3" Page H13</p>	<p>SFTM64 ISO 6162-2 BODY ONLY</p>  <p>1/2" - 2" Page H14</p>	<p>A/SFTM64 ISO 6162-2 ASSEMBLY</p>  <p>1/2" - 2" Page H15</p>	<p>SFBTM34 ISO 6162-1 BODY ONLY</p>  <p>1/2" - 3" Page H16</p>	<p>A/SFBTM34 ISO 6162-1 ASSEMBLY</p>  <p>1/2" - 3" Page H17</p>
<p>SFBTM64 ISO 6162-2 BODY ONLY</p>  <p>1/2" - 2" Page H18</p>	<p>A/SFBTM64 ISO 6162-2 ASSEMBLY</p>  <p>1/2" - 2" Page H19</p>	<p>SFRTM34 ISO 6162-1 BODY ONLY</p>  <p>1/2" - 3" Page H20</p>	<p>A/SFRTM34 ISO 6162-1 ASSEMBLY</p>  <p>1/2" - 3" Page H21</p>	<p>SFRTM64 ISO 6162-2 BODY ONLY</p>  <p>1/2" - 2" Page H22</p>
<p>A/SFRTM64 ISO 6162-2 ASSEMBLY</p>  <p>1/2" - 2" Page H23</p>	<p>RETAIN RING FLANGE BLOCK STYLE</p>	<p>RTM74 ISO 6164 BODY ONLY</p>  <p>2 1/2" - 4" Page H24</p>	<p>A/RTM74 ISO 6164 ASSEMBLY</p>  <p>2 1/2" - 4" Page H25</p>	<p>RBTM74 ISO 6164 BODY ONLY</p>  <p>2 1/2" - 4" Page H26</p>
<p>A/RBTM74 ISO 6164 ASSEMBLY</p>  <p>2 1/2" - 4" Page H27</p>	<p>RRTM74 ISO 6164 BODY ONLY</p>  <p>2 1/2" - 4" Page H28</p>	<p>A/RRTM74 ISO 6164 ASSEMBLY</p>  <p>2 1/2" - 4" Page H29</p>		



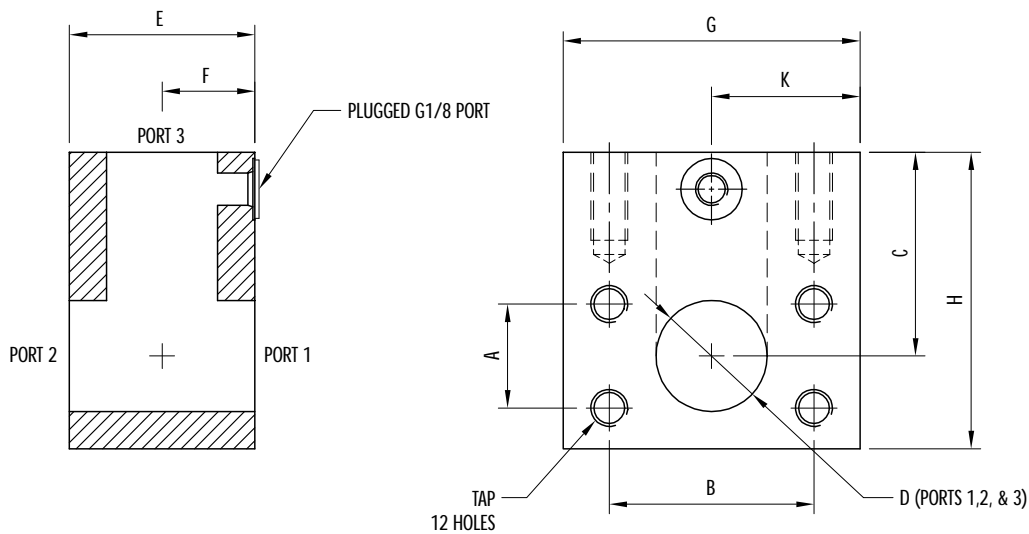
Tees - Metric Visual Index (page 2 of 2)

<p>LOW PRESSURE RETAIN RING FLANGE STYLE</p>	<p>LRT BODY ONLY</p>  <p>2 1/2" - 8" Page H30</p>	<p>A/LRT ASSEMBLY</p>  <p>2 1/2" - 8" Page H31</p>		
<p>'O' RING CONNECTOR PLATES</p>	<p>OCP CONNECTOR PLATE</p>  <p>1/2" - 4" Page H32</p>	<p>LOCP LOW PRESSURE-CONNECTOR PLATE</p>  <p>2 1/2" - 8" Page H33</p>		



Block Tee - Metric

ISO Flange Style



BTM34 Block Tee (Metric) - ISO 6162-1 Flat Face With Tapped Holes Complete With G1/8 Port (Plugged)

Size (inch)	Block Tee Part No.	Dimensions (millimeters)									Thread	WT. kgs./pc	Working Pressure (bar)
		A	B	C	D	E	F	G	H	K			
1/2"	BTM34-050-*	17.5	38.1	47.8	12.7	50.8	25.4	63.5	63.5	31.8	M8 x 1.25	1.39	350
3/4"	BTM34-075-*	22.4	47.8	57.2	19.1	50.8	25.4	76.2	82.6	38.1	M10 x 1.50	2.14	350
1"	BTM34-100-*	26.2	52.3	57.2	23.9	50.8	25.4	76.2	82.6	38.1	M10 x 1.50	2.00	350
1 1/4"	BTM34-125-*	30.2	58.7	69.9	31.8	57.2	28.7	76.2	101.6	38.1	M10 x 1.50	2.57	275
1 1/2"	BTM34-150-*	35.8	69.9	69.9	38.1	63.5	31.8	101.6	101.6	50.8	M12 x 1.75	3.75	210
2"	BTM34-200-*	42.9	77.7	76.2	49.3	76.2	38.1	101.6	114.3	50.8	M12 x 1.75	4.60	210
2 1/2"	BTM34-250-*	50.8	88.9	82.6	60.5	88.9	44.5	127.0	127.0	63.5	M12 x 1.75	7.56	175
3"	BTM34-300-*	62.0	106.4	95.3	73.2	101.6	50.8	139.7	152.4	69.9	M16 x 2.00	10.75	140

BTM64 Block Tee (Metric) - ISO 6162-2 Flat Face With Tapped Holes Complete With G1/8 Port (Plugged)

Size (inch)	Block Tee Part No.	Dimensions (millimeters)									Thread	WT. kgs./pc	Working Pressure (bar)
		A	B	C	D	E	F	G	H	K			
1/2"	BTM64-050-*	18.3	40.4	47.8	12.7	50.8	25.4	63.5	63.5	31.8	M8 x 1.25	1.39	420
3/4"	BTM64-075-*	23.9	50.8	57.2	19.1	50.8	25.4	76.2	82.6	38.1	M10 x 1.50	2.12	420
1"	BTM64-100-*	27.7	57.2	63.5	23.9	57.2	28.7	76.2	101.6	38.1	M12 x 1.75	2.82	420
1 1/4"	BTM64-125-*	31.8	66.8	69.9	31.8	63.5	31.8	101.6	101.6	50.8	M12 x 1.75	4.03	420
1 1/2"	BTM64-150-*	36.6	79.5	76.2	38.1	76.2	38.1	101.6	114.3	50.8	M16 x 2.00	5.02	420
2"	BTM64-200-*	44.5	96.8	85.9	49.3	76.2	38.1	127.0	127.0	63.5	M20 x 2.50	6.55	420

* INSERT 'V' TO INDICATE OPTIONAL VITON 'O' RING FOR G1/8 PLUG

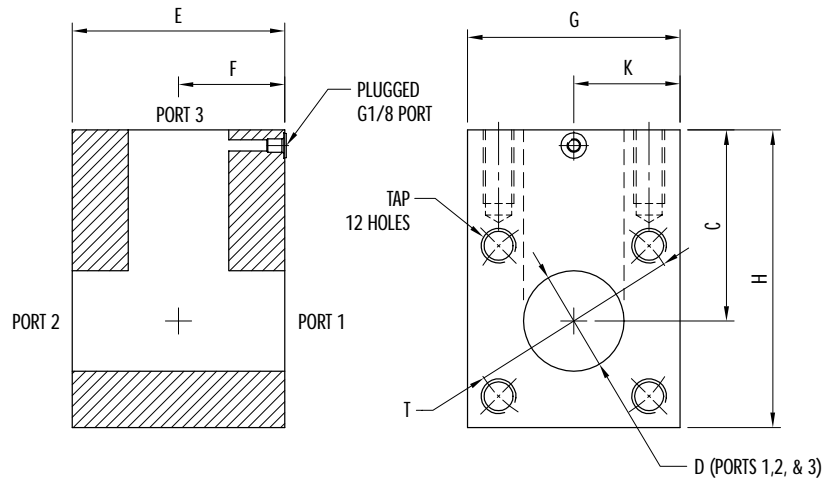
• OTHER BLOCK TEES ARE AVAILABLE (CONSULT FACTORY)

MATERIAL: CARBON STEEL, YELLOW ZINC DICHROMATE PLATED, (STAINLESS STEEL AVAILABLE)



Block Tee - Metric

ISO 6164 Flange Style



BTM74 Block Tee (Metric) - ISO 6164 Flat Face With Tapped Holes Complete With G1/8 Port (Plugged)

Size (inch)	Block Tee Part No.	Dimensions (millimeters)								Thread	WT. kgs./pc	Working Pressure (bar)
		T	C	D	E	F	G	H	K			
2 1/2"	BTM74-250-*	118.1	101.6	60.5	127.0	63.5	127.0	165.1	63.5	M20 x 2.50	15.27	400
3"	BTM74-300-*	145.0	127.0	73.2	152.4	76.2	152.4	203.2	76.2	M24 x 3.00	26.50	400
4"	BTM74-400-*	175.0	139.7	88.9	177.8	88.9	177.8	228.6	88.9	M30 x 3.50	39.09	400

* INSERT 'V' TO INDICATE OPTIONAL VITON 'O' RING FOR G1/8 PLUG

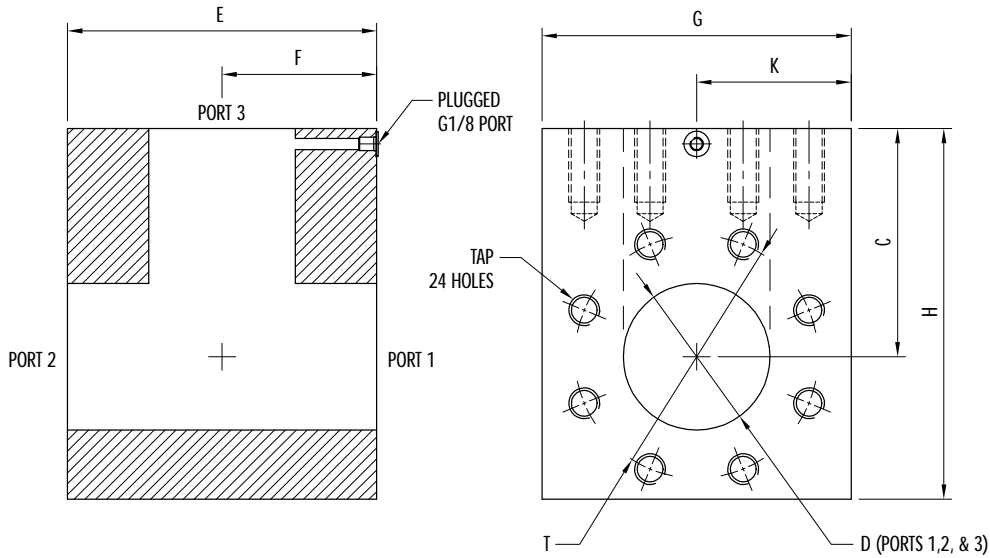
• OTHER BLOCK TEES ARE AVAILABLE (CONSULT FACTORY)

MATERIAL: CARBON STEEL, YELLOW ZINC DICHROMATE PLATED, (STAINLESS STEEL AVAILABLE)



Block Tee - Metric

TMI® 8-Bolt Flange Style



BTM48 Block Tee (Metric) - TMI® 8-Bolt Flat Face With Tapped Holes Complete With G1/8 Port (Plugged)

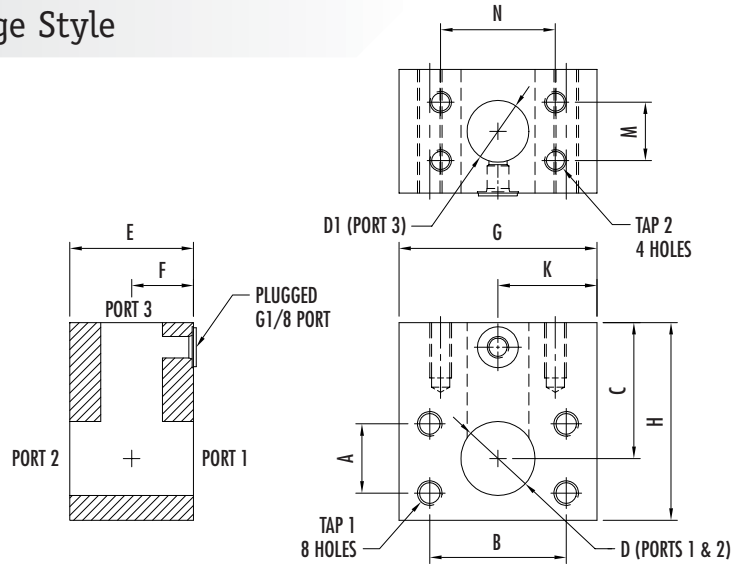
Size (inch)	Block Tee Part No.	Dimensions (millimeters)								Thread	WT. kgs./pc	Working Pressure (bar)
		T	C	D	E	F	G	H	K			
5"	BTM48-500-*	200.2	181.1	101.6	247.7	124.0	247.7	304.8	124.0	M24 x 3.00	116.82	275
6"	BTM48-600-*	245.1	203.2	124.5	301.8	150.9	301.8	355.6	150.9	M30 x 3.50	207.27	255
8"	BTM48-800-*	315.0	260.4	173.0	381.0	190.5	381.0	457.2	190.5	M36 x 4.00	452.27	240

- FOR SIZES 10" OR LARGER CONSULT FACTORY
 - * INSERT 'V' TO INDICATE OPTIONAL VITON 'O' RING FOR G1/8 PLUG
 - OTHER BLOCK TEES ARE AVAILABLE (CONSULT FACTORY)
- MATERIAL:** CARBON STEEL, PRIME PAINTED, (STAINLESS STEEL AVAILABLE)



Reducing Branch Block Tee - Metric

ISO 6162-1 Flange Style



BTRM34 Reducing Branch Block Tee (Metric) - ISO 6162-1 Flat Face With Tapped Holes Complete With G1/8 Port (Plugged)

Size (run x branch)	Block Tee Part No.	Dimensions (millimeters)												Thread 1	Thread 2	WT. kgs./pc	Working Pressure (bar)
		A	B	C	D	D1	E	F	G	H	K	M	N				
3/4"x1/2"	BTRM34-075x050-*	22.4	47.8	57.2	19.1	12.7	50.8	25.4	76.2	82.6	38.1	17.5	38.1	M10 X 1.50	M8 X 1.25	2.27	350
1"x1/2"	BTRM34-100x050-*	26.2	52.3	57.2	23.9	12.7	50.8	25.4	76.2	82.6	38.1	17.5	38.1	M10 X 1.50	M8 X 1.25	2.27	350
1"x3/4"	BTRM34-100x075-*	26.2	52.3	57.2	23.9	19.1	50.8	25.4	76.2	82.6	38.1	22.4	47.8	M10 X 1.50	M10 X 1.50	2.27	350
1 1/4"x1/2"	BTRM34-125x050-*	30.2	58.7	69.9	31.8	12.7	57.2	28.7	76.2	101.6	38.1	17.5	38.1	M10 X 1.50	M8 X 1.25	2.64	275
1 1/4"x3/4"	BTRM34-125x075-*	30.2	58.7	69.9	31.8	19.1	57.2	28.7	76.2	101.6	38.1	22.4	47.8	M10 X 1.50	M10 X 1.50	2.64	275
1 1/4"x1"	BTRM34-125x100-*	30.2	58.7	69.9	31.8	23.9	57.2	28.7	76.2	101.6	38.1	26.2	52.3	M10 X 1.50	M10 X 1.50	2.64	275
1 1/2"x1/2"	BTRM34-150x050-*	35.8	69.9	69.9	38.1	12.7	63.5	31.8	101.6	101.6	50.8	17.5	38.1	M12 X 1.75	M8 X 1.25	4.05	210
1 1/2"x3/4"	BTRM34-150x075-*	35.8	69.9	69.9	38.1	19.1	63.5	31.8	101.6	101.6	50.8	22.4	47.8	M12 X 1.75	M10 X 1.50	3.98	210
1 1/2"x1"	BTRM34-150x100-*	35.8	69.9	69.9	38.1	23.9	63.5	31.8	101.6	101.6	50.8	26.2	52.3	M12 X 1.75	M10 X 1.50	3.91	210
1 1/2"x1 1/4"	BTRM34-150x125-*	35.8	69.9	69.9	38.1	31.8	63.5	31.8	101.6	101.6	50.8	30.2	58.7	M12 X 1.75	M10 X 1.50	3.86	210
2"x1/2"	BTRM34-200x050-*	42.9	77.7	76.2	49.3	12.7	76.2	38.1	101.6	114.3	50.8	17.5	38.1	M12 X 1.75	M8 X 1.25	4.55	210
2"x3/4"	BTRM34-200x075-*	42.9	77.7	76.2	49.3	19.1	76.2	38.1	101.6	114.3	50.8	22.4	47.8	M12 X 1.75	M10 X 1.50	4.55	210
2"x1"	BTRM34-200x100-*	42.9	77.7	76.2	49.3	23.9	76.2	38.1	101.6	114.3	50.8	26.2	52.3	M12 X 1.75	M10 X 1.50	4.55	210
2"x1 1/4"	BTRM34-200x125-*	42.9	77.7	76.2	49.3	31.8	76.2	38.1	101.6	114.3	50.8	30.2	58.7	M12 X 1.75	M10 X 1.50	4.55	210
2"x1 1/2"	BTRM34-200x150-*	42.9	77.7	76.2	49.3	38.1	76.2	38.1	101.6	114.3	50.8	35.8	69.9	M12 X 1.75	M12 X 1.75	4.55	210
2 1/2"x1/2"	BTRM34-250x050-*	50.8	88.9	82.6	60.5	12.7	88.9	44.5	127.0	127.0	63.5	17.5	38.1	M12 X 1.75	M8 X 1.25	6.36	175
2 1/2"x3/4"	BTRM34-250x075-*	50.8	88.9	82.6	60.5	19.1	88.9	44.5	127.0	127.0	63.5	22.4	47.8	M12 X 1.75	M10 X 1.50	6.23	175
2 1/2"x1"	BTRM34-250x100-*	50.8	88.9	82.6	60.5	23.9	88.9	44.5	127.0	127.0	63.5	26.2	52.3	M12 X 1.75	M10 X 1.50	7.32	175
2 1/2"x1 1/4"	BTRM34-250x125-*	50.8	88.9	82.6	60.5	31.8	88.9	44.5	127.0	127.0	63.5	30.2	58.7	M12 X 1.75	M10 X 1.50	7.23	175
2 1/2"x1 1/2"	BTRM34-250x150-*	50.8	88.9	82.6	60.5	38.1	88.9	44.5	127.0	127.0	63.5	35.8	69.9	M12 X 1.75	M12 X 1.75	7.14	175
2 1/2"x2"	BTRM34-250x200-*	50.8	88.9	82.6	60.5	49.3	88.9	44.5	127.0	127.0	63.5	42.9	77.7	M12 X 1.75	M12 X 1.75	6.77	175
3"x1/2"	BTRM34-300x050-*	62.0	106.4	95.3	73.2	12.7	101.6	50.8	139.7	152.4	69.9	17.5	38.1	M16 X 2.00	M8 X 1.25	10.19	140
3"x3/4"	BTRM34-300x075-*	62.0	106.4	95.3	73.2	19.1	101.6	50.8	139.7	152.4	69.9	22.4	47.8	M16 X 2.00	M10 X 1.50	10.05	140
3"x1"	BTRM34-300x100-*	62.0	106.4	95.3	73.2	23.9	101.6	50.8	139.7	152.4	69.9	26.2	52.3	M16 X 2.00	M10 X 1.50	9.94	140
3"x1 1/4"	BTRM34-300x125-*	62.0	106.4	95.3	73.2	31.8	101.6	50.8	139.7	152.4	69.9	30.2	58.7	M16 X 2.00	M10 X 1.50	9.80	140
3"x1 1/2"	BTRM34-300x150-*	62.0	106.4	95.3	73.2	38.1	101.6	50.8	139.7	152.4	69.9	35.8	69.9	M16 X 2.00	M12 X 1.75	9.59	140
3"x2"	BTRM34-300x200-*	62.0	106.4	95.3	73.2	49.3	101.6	50.8	139.7	152.4	69.9	42.9	77.7	M16 X 2.00	M12 X 1.75	14.45	140
3"x2 1/2"	BTRM34-300x250-*	62.0	106.4	95.3	73.2	60.5	101.6	50.8	139.7	152.4	69.9	50.8	88.9	M16 X 2.00	M12 X 1.75	12.07	140

* INSERT 'V' TO INDICATE OPTIONAL VITON 'O' RING FOR G1/8 PLUG

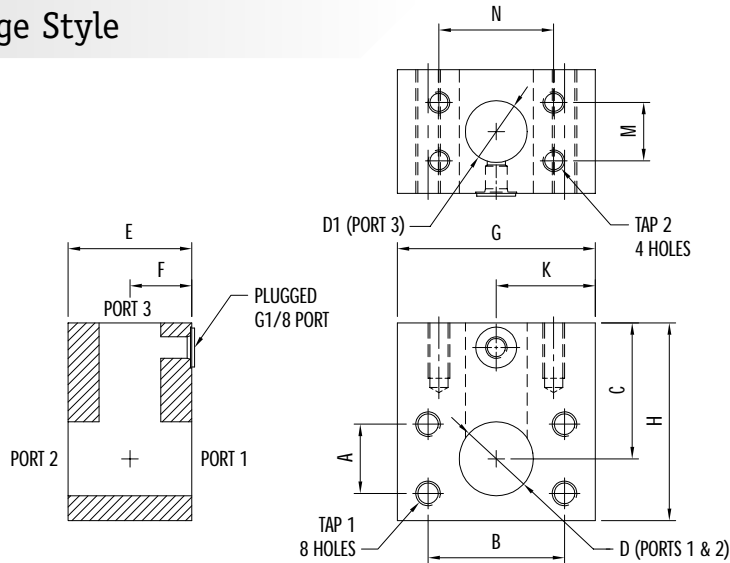
• OTHER BLOCK TEES ARE AVAILABLE (CONSULT FACTORY)

MATERIAL: CARBON STEEL, YELLOW ZINC DICHROMATE PLATED, (STAINLESS STEEL AVAILABLE)



Reducing Branch Block Tee - Metric

ISO 6162-2 Flange Style



BTRM64 Reducing Branch Block Tee (Metric) - ISO 6162-2 Flat Face With Tapped Holes Complete With G1/8 Port (Plugged)

Size (run x branch)	Block Tee Part No.	Dimensions (millimeters)											Thread 1	Thread 2	WT. kgs./pc	Working Pressure (bar)	
		A	B	C	D	D1	E	F	G	H	K	M					N
3/4"x1/2"	BTRM64-075x050-*	23.9	50.8	57.2	19.1	12.7	50.8	25.4	76.2	82.6	38.1	18.3	40.4	M10 x 1.50	M8 x 1.25	2.36	420
1"x1/2"	BTRM64-100x050-*	27.7	57.2	63.5	23.9	12.7	57.2	28.7	76.2	101.6	38.1	18.3	40.4	M12 x 1.75	M8 x 1.25	2.36	420
1"x3/4"	BTRM64-100x075-*	27.7	57.2	63.5	23.9	19.1	57.2	28.7	76.2	101.6	38.1	23.9	50.8	M12 x 1.75	M10 x 1.50	2.36	420
1 1/4"x1/2"	BTRM64-125x050-*	31.8	66.8	69.9	31.8	12.7	63.5	31.8	101.6	101.6	50.8	18.3	40.4	M12 x 1.75	M8 x 1.25	4.55	420
1 1/4"x3/4"	BTRM64-125x075-*	31.8	66.8	69.9	31.8	19.1	63.5	31.8	101.6	101.6	50.8	23.9	50.8	M12 x 1.75	M10 x 1.50	4.55	420
1 1/4"x1"	BTRM64-125x100-*	31.8	66.8	69.9	31.8	23.9	63.5	31.8	101.6	101.6	50.8	27.7	57.2	M12 x 1.75	M12 x 1.75	4.55	420
1 1/2"x1/2"	BTRM64-150x050-*	36.6	79.5	76.2	38.1	12.7	76.2	38.1	101.6	114.3	50.8	18.3	40.4	M16 x 2.00	M8 x 1.25	5.14	420
1 1/2"x3/4"	BTRM64-150x075-*	36.6	79.5	76.2	38.1	19.1	76.2	38.1	101.6	114.3	50.8	23.9	50.8	M16 x 2.00	M10 x 1.50	5.14	420
1 1/2"x1"	BTRM64-150x100-*	36.6	79.5	76.2	38.1	23.9	76.2	38.1	101.6	114.3	50.8	27.7	57.2	M16 x 2.00	M12 x 1.75	5.14	420
1 1/2"x1 1/4"	BTRM64-150x125-*	36.6	79.5	76.2	38.1	31.8	76.2	38.1	101.6	114.3	50.8	31.8	66.8	M16 x 2.00	M12 x 1.75	5.14	420
2"x1/2"	BTRM64-200x050-*	44.5	96.8	85.9	49.3	12.7	76.2	38.1	127.0	127.0	63.5	18.3	40.4	M20 x 2.50	M8 x 1.25	6.73	420
2"x3/4"	BTRM64-200x075-*	44.5	96.8	85.9	49.3	19.1	76.2	38.1	127.0	127.0	63.5	23.9	50.8	M20 x 2.50	M10 x 1.50	6.73	420
2"x1"	BTRM64-200x100-*	44.5	96.8	85.9	49.3	23.9	76.2	38.1	127.0	127.0	63.5	27.7	57.2	M20 x 2.50	M12 x 1.75	6.73	420
2"x1 1/4"	BTRM64-200x125-*	44.5	96.8	85.9	49.3	31.8	76.2	38.1	127.0	127.0	63.5	31.8	66.8	M20 x 2.50	M12 x 1.75	6.73	420
2"x1 1/2"	BTRM64-200x150-*	44.5	96.8	85.9	49.3	38.1	76.2	38.1	127.0	127.0	63.5	36.6	79.5	M20 x 2.50	M16 x 2.00	6.73	420

* INSERT 'V' TO INDICATE OPTIONAL VITON 'O' RING FOR G1/8 PLUG

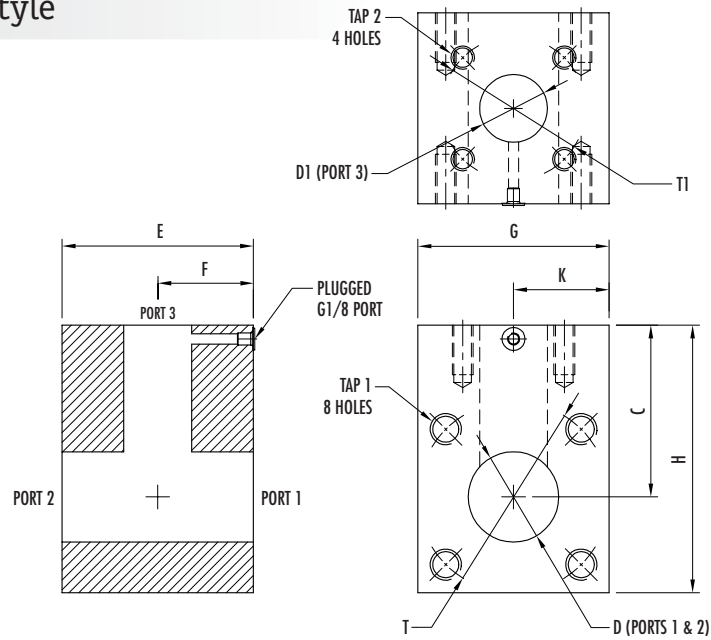
• OTHER BLOCK TEES ARE AVAILABLE (CONSULT FACTORY)

MATERIAL: CARBON STEEL, YELLOW ZINC DICHROMATE PLATED, (STAINLESS STEEL AVAILABLE)



Reducing Branch Block Tee - Metric

ISO 6164 Flange Style



BTRM74 Reducing Branch Block Tee (Metric) - ISO 6164 Flat Face With Tapped Holes Complete With G1/8 Port (Plugged)

Size (run x branch)	Block Tee Part No.	Dimensions (millimeters)										Thread 1	Thread 2	WT. kgs./pc	Working Pressure (bar)
		T	T1	C	D	D1	E	F	G	H	K				
3" x 2 1/2"	BTRM74-300x250-*	145.0	118.1	127.0	73.2	60.5	152.4	76.2	152.4	203.2	76.2	M24 x 3.00	M20 x 2.50	27.11	400
4" x 2 1/2"	BTRM74-400x250-*	175.0	118.1	139.7	88.9	60.5	177.8	88.9	177.8	228.6	88.9	M30 x 3.50	M20 x 2.50	40.96	400
4" x 3"	BTRM74-400x300-*	175.0	145.0	139.7	88.9	73.2	177.8	88.9	177.8	228.6	88.9	M30 x 3.50	M24 x 3.00	40.28	400

* INSERT 'V' TO INDICATE OPTIONAL VITON 'O' RING FOR G1/8 PLUG

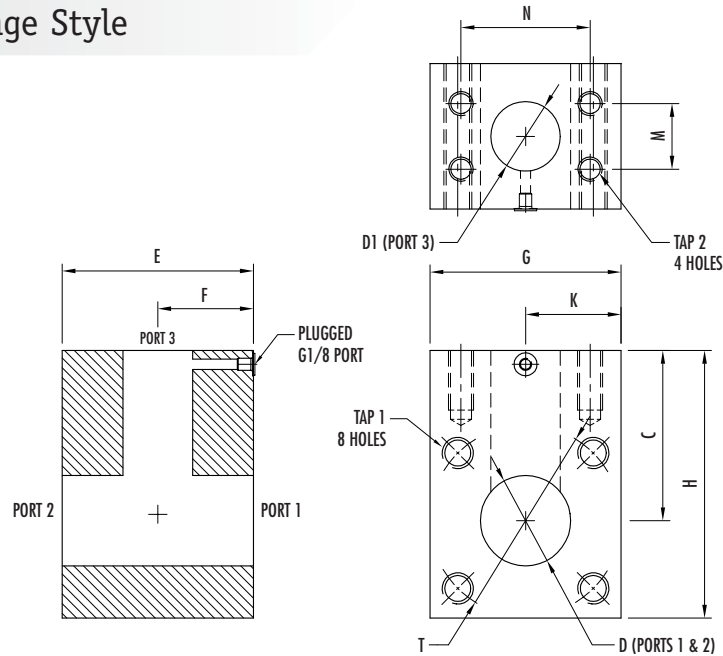
• OTHER BLOCK TEES ARE AVAILABLE (CONSULT FACTORY)

MATERIAL: CARBON STEEL, YELLOW ZINC DICHROMATE PLATED, (STAINLESS STEEL AVAILABLE)



Reducing Branch Block Tee - Metric

ISO 6164/6162 Flange Style



BTRM7-34 Reducing Branch Block Tee (Metric) - ISO 6164/6162-1 Flat Face With Tapped Holes Complete With G1/8 Port (Plugged)

Size (run x branch)	Block Tee Part No.	Dimensions (millimeters)										Thread 1	Thread 2	WT. kgs./pc	Working Pressure (bar)	
		T	C	D	D1	E	F	G	H	K	M					N
2 1/2"x2"	BTRM7-34-250x200-*	118.1	101.6	60.5	49.3	127.0	63.5	127.0	165.1	63.5	42.9	77.7	M20 x 2.50	M12 x 1.75	16.15	210
3"x2"	BTRM7-34-300x200-*	145.0	127.0	73.2	49.3	152.4	76.2	152.4	203.2	76.2	42.9	77.7	M24 x 3.00	M12 x 1.75	27.63	210
4"x2"	BTRM7-34-400x200-*	175.0	139.7	88.9	49.3	177.8	88.9	177.8	228.6	88.9	42.9	77.7	M30 x 3.50	M12 x 1.75	42.08	210

BTRM7-64 Reducing Branch Block Tee (Metric) - ISO 6164/6162-2 Flat Face With Tapped Holes Complete With G1/8 Port (Plugged)

Size (run x branch)	Block Tee Part No.	Dimensions (millimeters)										Thread 1	Thread 2	WT. kgs./pc	Working Pressure (bar)	
		T	C	D	D1	E	F	G	H	K	M					N
2 1/2"x2"	BTRM7-64-250x200-*	118.1	101.6	60.5	49.3	127.0	63.5	127.0	165.1	63.5	44.5	96.8	M20 x 2.50	M20 x 2.50	16.15	400
3"x2"	BTRM7-64-300x200-*	145.0	127.0	73.2	49.3	152.4	76.2	152.4	203.2	76.2	44.5	96.8	M24 x 3.00	M20 x 2.50	27.63	400
4"x2"	BTRM7-64-400x200-*	175.0	139.7	88.9	49.3	177.8	88.9	177.8	228.6	88.9	44.5	96.8	M30 x 3.50	M20 x 2.50	42.08	400

* INSERT 'V' TO INDICATE OPTIONAL VITON 'O' RING FOR G1/8 PLUG

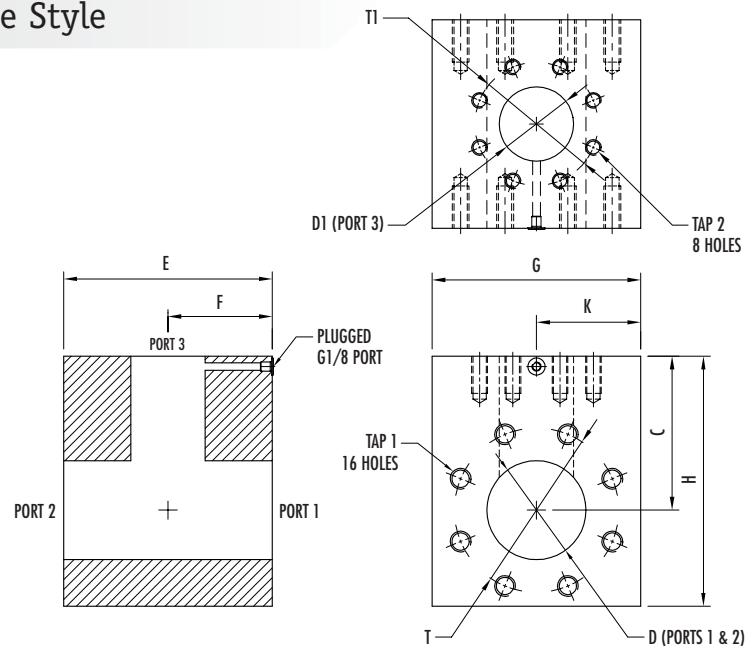
• OTHER BLOCK TEES ARE AVAILABLE (CONSULT FACTORY)

MATERIAL: CARBON STEEL, YELLOW ZINC DICHROMATE PLATED, (STAINLESS STEEL AVAILABLE)



Reducing Branch Block Tee - Metric

TMI® 8-Bolt Flange Style



BTRM48 Reducing Branch Block Tee (Metric) - TMI® 8-Bolt Flat Face With Tapped Holes Complete With G1/8 Port (Plugged)

Size (run x branch)	Block Tee Part No.	Dimensions (millimeters)										Thread 1	Thread 2	WT. kgs./pc	Working Pressure (bar)
		T	T1	C	D	D1	E	F	G	H	K				
6" x 5"	BTRM48-600x500-*	245.1	200.2	203.2	124.5	101.6	254.0	127.0	301.8	355.6	150.9	M30 x 3.50	M24 x 3.00	202.36	255
8" x 5"	BTRM48-800x500-*	315.0	200.2	235.0	173.0	101.6	254.0	127.0	380.0	431.8	190.5	M36 x 4.00	M24 x 3.00	332.68	240
8" x 6"	BTRM48-800x600-*	315.0	245.1	235.0	173.0	124.5	304.8	152.4	381.0	431.8	190.5	M36 x 4.00	M30 x 3.50	384.36	240

* INSERT 'V' TO INDICATE OPTIONAL VITON 'O' RING FOR G1/8 PLUG

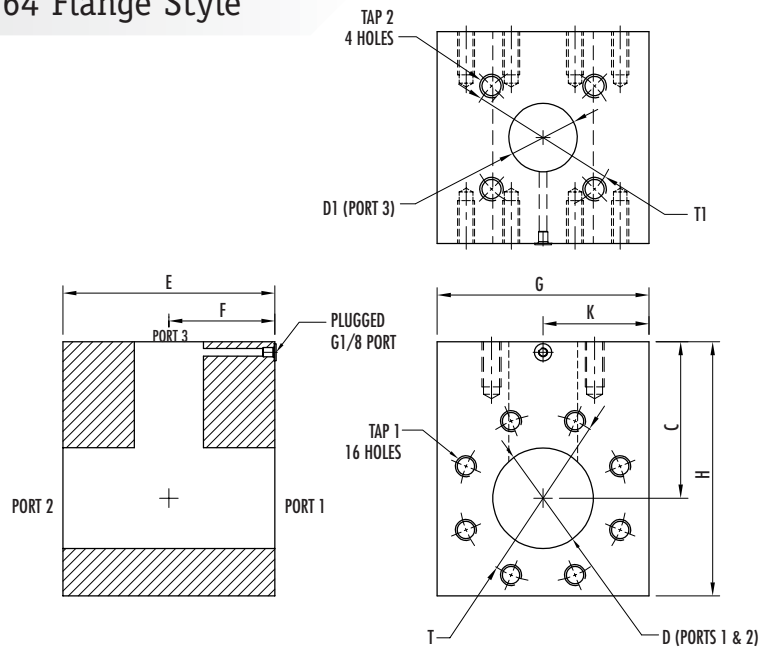
• OTHER BLOCK TEES ARE AVAILABLE (CONSULT FACTORY)

MATERIAL: CARBON STEEL, PRIME PAINTED, (STAINLESS STEEL AVAILABLE)



Reducing Branch Block Tee - Metric

TMI® 8-Bolt/ISO 6164 Flange Style



BTRM4-74 Reducing Branch Block Tee (Metric) - TMI® 8-Bolt/ISO 6164 Flat Face With Tapped Holes Complete With G1/8 Port (Plugged)

Size (run x branch)	Block Tee Part No.	Dimensions (millimeters)										Thread 1	Thread 2	WT. kgs./pc	Working Pressure (bar)
		T	T1	C	D	D1	E	F	G	H	K				
6" x 4"	BTRM4-74-600x400-*	245.1	175.0	203.2	124.5	88.9	203.2	101.6	301.8	355.6	150.9	M30 x 3.50	M30 x 3.50	209.23	255
8" x 4"	BTRM4-74-800x400-*	315.0	175.0	235.0	173.0	88.9	228.6	114.3	381.0	431.8	190.5	M36 x 4.00	M30 x 3.50	357.09	240

* INSERT 'V' TO INDICATE OPTIONAL VITON 'O' RING FOR G1/8 PLUG

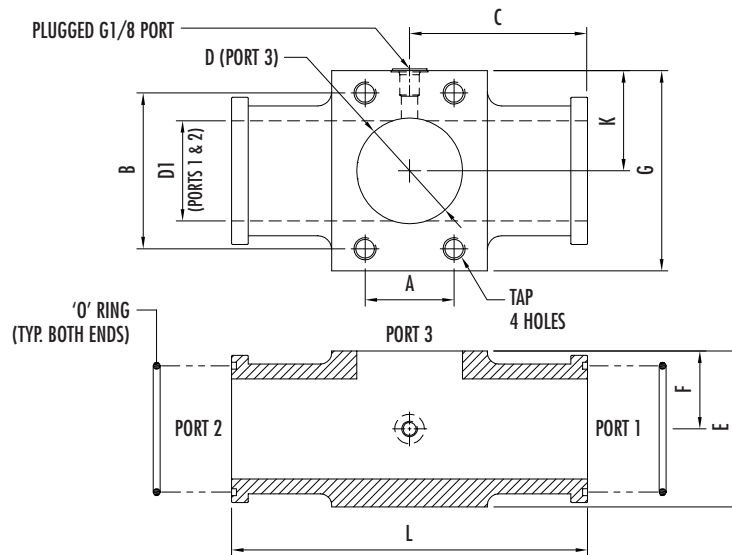
• OTHER BLOCK TEES ARE AVAILABLE (CONSULT FACTORY)

MATERIAL: CARBON STEEL, PRIME PAINTED, (STAINLESS STEEL AVAILABLE)



Split Flange Tee - Metric

ISO 6162-1 Flange Style - Body Only



SFTM34 Split Flange Tee (Metric) - ISO 6162-1 Flat Face With Tapped Holes

Complete With Nitrile 'O' Rings (Standard) and G1/8 Port (Plugged)

Size (inch)	Tee Part No.	Dimensions (millimeters)										Thread	'O' Ring (Nitrile) Part No.	WT. kgs./pc	Working Pressure (bar)
		A	B	C	D	D1	E	F	G	K	L				
1/2"	SFTM34-050-*	17.5	38.1	63.5	12.7	9.7	50.8	25.4	63.5	31.8	127.0	M8 x 1.25	OR*-2-210	1.69	350
3/4"	SFTM34-075-*	22.4	47.8	69.9	19.1	16.0	50.8	25.4	76.2	38.1	139.7	M10 x 1.50	OR*-2-214	2.03	350
1"	SFTM34-100-*	26.2	52.3	69.9	23.9	22.4	50.8	25.4	76.2	38.1	139.7	M10 x 1.50	OR*-2-219	1.86	350
1 1/4"	SFTM34-125-*	30.2	58.7	79.5	31.8	28.7	57.2	28.7	76.2	38.1	158.8	M10 x 1.50	OR*-2-222	2.16	275
1 1/2"	SFTM34-150-*	35.8	69.9	82.6	38.1	34.9	63.5	31.8	101.6	50.8	165.1	M12 x 1.75	OR*-2-225	3.30	210
2"	SFTM34-200-*	42.9	77.7	88.9	49.3	47.8	76.2	38.1	101.6	50.8	177.8	M12 x 1.75	OR*-2-228	4.41	210
2 1/2"	SFTM34-250-*	50.8	88.9	101.6	60.5	60.5	88.9	44.5	114.3	57.2	203.2	M12 x 1.75	OR*-2-232	6.48	175
3"	SFTM34-300-*	62.0	106.4	114.3	73.2	73.2	101.6	50.8	139.7	69.9	228.6	M16 x 2.00	OR*-2-237	10.32	140

* INSERT 'V' TO INDICATE OPTIONAL VITON 'O' RINGS

- OTHER SPLIT FLANGE TEES ARE AVAILABLE (CONSULT FACTORY)
- TO ORDER COMPLETE ASSEMBLY REFERENCE PAGE H13
- FOR SPLIT FLANGES REFERENCE PAGE N2

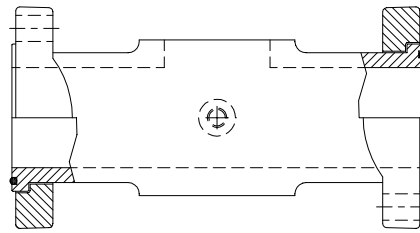
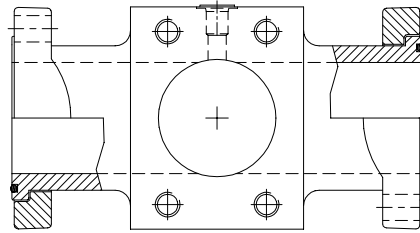
MATERIAL: CARBON STEEL, YELLOW ZINC DICHROMATE PLATED, (STAINLESS STEEL AVAILABLE)



Split Flange Tee Assembly - Metric

ISO 6162-1 Flange Style

Typical A/SFTM34 Assembly



COMPLETE ASSEMBLY CONSISTS OF:

- ISO 6162-1 SPLIT FLANGE TEE BODY (REF. PAGE H12)
- TWO SETS (4 HALVES) ISO 6162-1 SPLIT FLANGES (REF. PAGE N2)
- TWO (2) NITRILE 'O' RINGS (STANDARD)
- TWO (2) COMPONENT BOLT KITS

A/SFTM34 Split Flange Tee (Metric) - ISO 6162-1 Assembly

Size (inch)	Tee Part No.	WT. kgs./pc
1/2"	A/SFTM34-050-*	2.04
3/4"	A/SFTM34-075-*	2.55
1"	A/SFTM34-100-*	2.45
1 1/4"	A/SFTM34-125-*	2.97
1 1/2"	A/SFTM34-150-*	4.60
2"	A/SFTM34-200-*	5.83
2 1/2"	A/SFTM34-250-*	8.41
3"	A/SFTM34-300-*	13.64

* INSERT ' V ' TO INDICATE OPTIONAL VITON 'O' RINGS

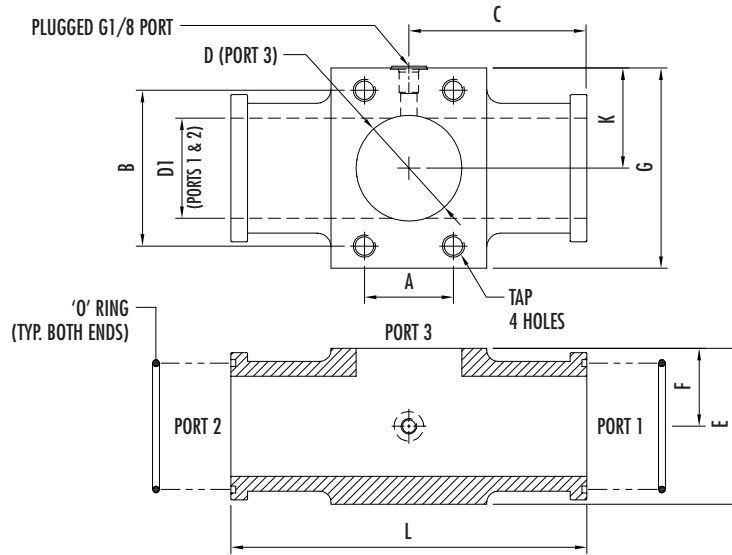
- ASSEMBLY WORKING PRESSURE RATINGS ARE SUBJECT TO THE LESSER OF THE FLANGE OR BODY RATINGS
- SEE REFERENCE PAGES INDICATED ABOVE FOR PRESSURE RATINGS

MATERIAL: CARBON STEEL, YELLOW ZINC DICHROMATE PLATED, (STAINLESS STEEL AVAILABLE)



Split Flange Tee - Metric

ISO 6162-2 Flange Style - Body Only



SFTM64 Split Flange Tee (Metric) - ISO 6162-2 Flat Face With Tapped Holes

Complete With Nitrile 'O' Rings (Standard) and G1/8 Port (Plugged)

Size (inch)	Tee Part No.	Dimensions (millimeters)										Thread	'O' Ring (Nitrile) Part No.	WT. kgs./pc	Working Pressure (bar)
		A	B	C	D	D1	E	F	G	K	L				
1/2"	SFTM64-050-*	18.3	40.4	69.9	12.7	9.7	50.8	25.4	63.5	31.8	139.7	M8 x 1.25	OR*-2-210	1.73	420
3/4"	SFTM64-075-*	23.9	50.8	76.2	19.1	16.0	50.8	25.4	76.2	38.1	152.4	M10 x 1.50	OR*-2-214	2.14	420
1"	SFTM64-100-*	27.7	57.2	85.9	23.9	22.4	57.2	28.7	76.2	38.1	171.5	M12 x 1.75	OR*-2-219	2.41	420
1 1/4"	SFTM64-125-*	31.8	66.8	88.9	31.8	28.7	63.5	31.8	101.6	50.8	177.8	M12 x 1.75	OR*-2-222	3.43	420
1 1/2"	SFTM64-150-*	36.6	79.5	108.0	38.1	34.9	76.2	38.1	101.6	50.8	215.9	M16 x 2.00	OR*-2-225	5.02	420
2"	SFTM64-200-*	44.5	96.8	120.7	49.3	47.8	88.9	44.5	127.0	63.5	241.3	M20 x 2.50	OR*-2-228	6.84	420

* INSERT 'V' TO INDICATE OPTIONAL VITON 'O' RINGS

- OTHER SPLIT FLANGE TEES ARE AVAILABLE (CONSULT FACTORY)
- TO ORDER COMPLETE ASSEMBLY REFERENCE PAGE H15
- FOR SPLIT FLANGES REFERENCE PAGE N2

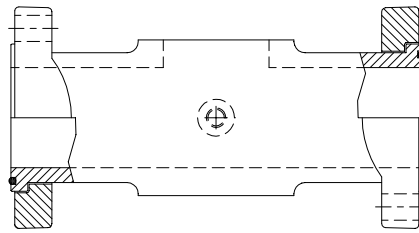
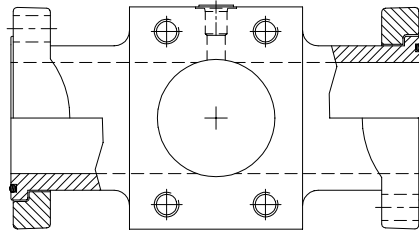
MATERIAL: CARBON STEEL, YELLOW ZINC DICHROMATE PLATED, (STAINLESS STEEL AVAILABLE)



Split Flange Tee Assembly - Metric

ISO 6162-2 Flange Style

Typical A/SFTM64 Assembly



COMPLETE ASSEMBLY CONSISTS OF:

- ISO 6162-2 SPLIT FLANGE TEE BODY (REF. PAGE H14)
- TWO SETS (4 HALVES) ISO 6162-2 SPLIT FLANGES (REF. PAGE N2)
- TWO (2) NITRILE 'O' RINGS (STANDARD)
- TWO (2) COMPONENT BOLT KITS

A/SFTM64 Split Flange Tee (Metric) - ISO 6162-2 Assembly

Size (inch)	Tee Part No.	WT. kgs./pc
1/2"	A/SFTM64-050-*	2.23
3/4"	A/SFTM64-075-*	2.98
1"	A/SFTM64-100-*	3.74
1 1/4"	A/SFTM64-125-*	5.49
1 1/2"	A/SFTM64-150-*	8.58
2"	A/SFTM64-200-*	12.73

* INSERT 'V' TO INDICATE OPTIONAL VITON 'O' RINGS

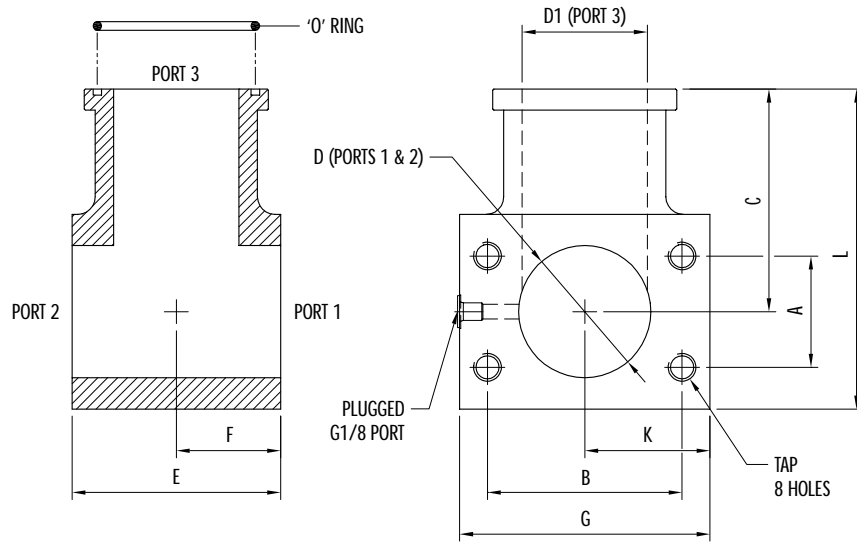
- ASSEMBLY WORKING PRESSURE RATINGS ARE SUBJECT TO THE LESSER OF THE FLANGE OR BODY RATINGS
- SEE REFERENCE PAGES INDICATED ABOVE FOR PRESSURE RATINGS

MATERIAL: CARBON STEEL, YELLOW ZINC DICHROMATE PLATED, (STAINLESS STEEL AVAILABLE)



Split Flange Branch Tee - Metric

ISO 6162-1 Flange Style - Body Only



SFBTM34 Split Flange Branch Tee (Metric) - ISO 6162-1 Flat Face With Tapped Holes Complete With Nitrile 'O' Ring (Standard) and G1/8 Port (Plugged)

Size (inch)	Tee Part No.	Dimensions (millimeters)										Thread	'O' Ring (Nitrile) Part No.	WT. kgs./pc	Working Pressure (bar)
		A	B	C	D	D1	E	F	G	K	L				
1/2"	SFBTM34-050-*	17.5	38.1	63.5	12.7	9.7	50.8	25.4	63.5	31.8	88.9	M8 x 1.25	OR*-2-210	1.32	350
3/4"	SFBTM34-075-*	22.4	47.8	69.9	19.1	16.0	50.8	25.4	76.2	38.1	95.3	M10 x 1.50	OR*-2-214	1.55	350
1"	SFBTM34-100-*	26.2	52.3	69.9	23.9	22.4	50.8	25.4	76.2	38.1	95.3	M10 x 1.50	OR*-2-219	1.55	350
1 1/4"	SFBTM34-125-*	30.2	58.7	79.5	31.8	28.7	57.2	28.7	76.2	38.1	108.0	M10 x 1.50	OR*-2-222	1.77	275
1 1/2"	SFBTM34-150-*	35.8	69.9	82.6	38.1	34.9	63.5	31.8	101.6	50.8	114.3	M12 x 1.75	OR*-2-225	2.80	210
2"	SFBTM34-200-*	42.9	77.7	88.9	49.3	47.8	76.2	38.1	101.6	50.8	127.0	M12 x 1.75	OR*-2-228	3.75	210
2 1/2"	SFBTM34-250-*	50.8	88.9	101.6	60.5	60.5	88.9	44.5	114.3	57.2	146.1	M12 x 1.75	OR*-2-232	5.52	175
3"	SFBTM34-300-*	62.0	106.4	114.3	73.2	73.2	101.6	50.8	139.7	69.9	165.1	M16 x 2.00	OR*-2-237	8.82	140

* INSERT 'V' TO INDICATE OPTIONAL VITON 'O' RINGS

- OTHER SPLIT FLANGE TEES ARE AVAILABLE (CONSULT FACTORY)
- TO ORDER COMPLETE ASSEMBLY REFERENCE PAGE H17
- FOR SPLIT FLANGES REFERENCE PAGE N2

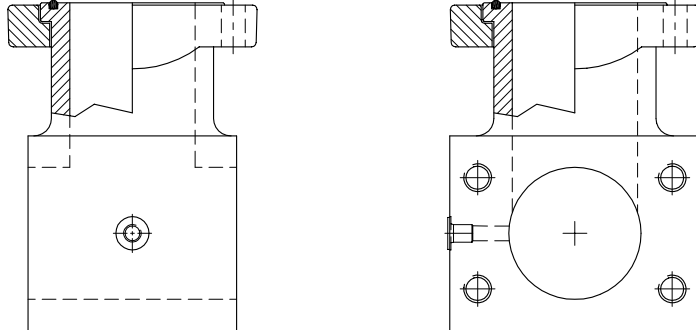
MATERIAL: CARBON STEEL, YELLOW ZINC DICHROMATE PLATED, (STAINLESS STEEL AVAILABLE)



Split Flange Branch Tee Assembly - Metric

ISO 6162-1 Flange Style

Typical A/SFBTM34 Assembly



COMPLETE ASSEMBLY CONSISTS OF:

- ISO 6162-1 SPLIT FLANGE BRANCH TEE BODY (REF. PAGE H16)
- ONE SET (2 HALVES) ISO 6162-1 SPLIT FLANGES (REF. PAGE N2)
- ONE (1) NITRILE 'O' RING (STANDARD)
- TWO (2) COMPONENT BOLT KITS

A/SFBTM34 Split Flange Branch Tee (Metric) - ISO 6162-1 Assembly

Size (inch)	Tee Part No.	WT. kgs./pc
1/2"	A/SFBTM34-050-*	1.49
3/4"	A/SFBTM34-075-*	1.80
1"	A/SFBTM34-100-*	1.84
1 1/4"	A/SFBTM34-125-*	2.18
1 1/2"	A/SFBTM34-150-*	3.45
2"	A/SFBTM34-200-*	4.46
2 1/2"	A/SFBTM34-250-*	6.49
3"	A/SFBTM34-300-*	10.48

* INSERT ' V ' TO INDICATE OPTIONAL VITON 'O' RINGS

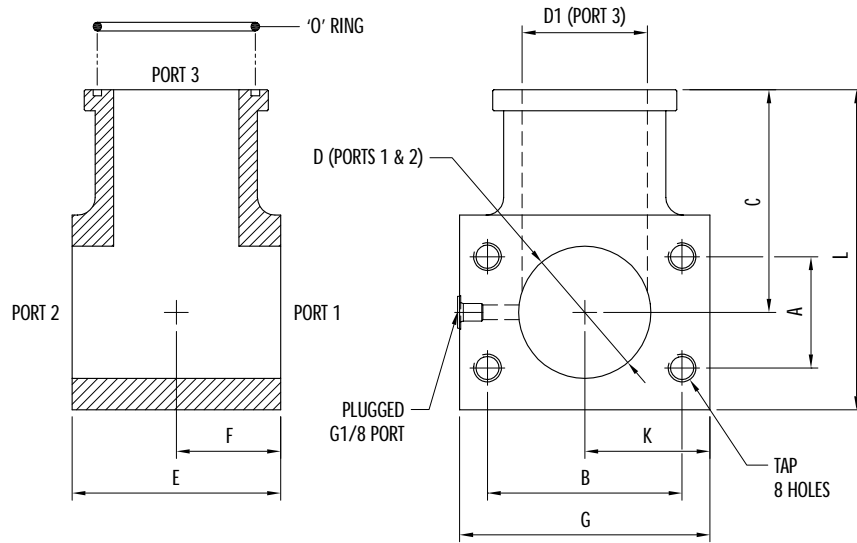
- ASSEMBLY WORKING PRESSURE RATINGS ARE SUBJECT TO THE LESSER OF THE FLANGE OR BODY RATINGS
- SEE REFERENCE PAGES INDICATED ABOVE FOR PRESSURE RATINGS

MATERIAL: CARBON STEEL, YELLOW ZINC DICHROMATE PLATED, (STAINLESS STEEL AVAILABLE)



Split Flange Branch Tee - Metric

ISO 6162-2 Flange Style - Body Only



SFBTM64 Split Flange Branch Tee (Metric) - ISO 6162-2 Flat Face With Tapped Holes Complete With Nitrile 'O' Ring (Standard) and G1/8 Port (Plugged)

Size (inch)	Tee Part No.	Dimensions (millimeters)										Thread	'O' Ring (Nitrile) Part No.	WT. kgs./pc	Working Pressure (bar)
		A	B	C	D	D1	E	F	G	K	L				
1/2"	SFBTM64-050-*	18.3	40.4	69.9	12.7	9.7	50.8	25.4	63.5	31.8	95.3	M8 x 1.25	OR*-2-210	1.32	420
3/4"	SFBTM64-075-*	23.9	50.8	76.2	19.1	16.0	50.8	25.4	76.2	38.1	101.6	M10 x 1.50	OR*-2-214	1.59	420
1"	SFBTM64-100-*	27.7	57.2	85.9	23.9	22.4	57.2	28.7	76.2	38.1	114.3	M12 x 1.75	OR*-2-219	1.98	420
1 1/4"	SFBTM64-125-*	31.8	66.8	88.9	31.8	28.7	63.5	31.8	101.6	50.8	120.7	M12 x 1.75	OR*-2-222	2.95	420
1 1/2"	SFBTM64-150-*	36.6	79.5	108.0	38.1	34.9	76.2	38.1	101.6	50.8	146.1	M16 x 2.00	OR*-2-225	4.25	420
2"	SFBTM64-200-*	44.5	96.8	120.7	49.3	47.8	88.9	44.5	127.0	63.5	158.8	M20 x 2.50	OR*-2-228	5.45	420

* INSERT 'V' TO INDICATE OPTIONAL VITON 'O' RINGS

- OTHER SPLIT FLANGE TEES ARE AVAILABLE (CONSULT FACORY)
- TO ORDER COMPLETE ASSEMBLY REFERENCE PAGE H19
- FOR SPLIT FLANGES REFERENCE PAGE N2

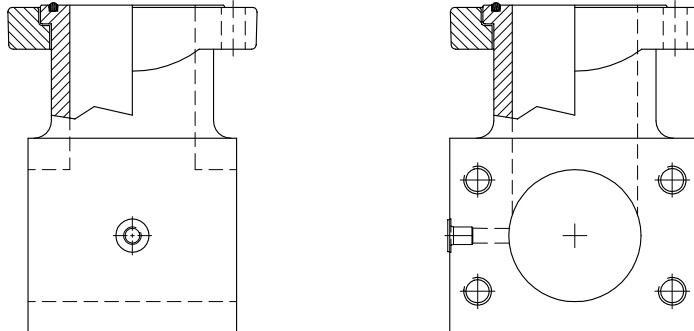
MATERIAL: CARBON STEEL, YELLOW ZINC DICHROMATE PLATED, (STAINLESS STEEL AVAILABLE)



Split Flange Branch Tee Assembly - Metric

ISO 6162-2 Flange Style

Typical A/SFBTM64 Assembly



COMPLETE ASSEMBLY CONSISTS OF:

- ISO 6162-2 SPLIT FLANGE BRANCH TEE BODY (REF. PAGE H18)
- ONE SET (2 HALVES) ISO 6162-2 SPLIT FLANGES (REF. PAGE N2)
- ONE (1) NITRILE 'O' RING (STANDARD)
- ONE (1) COMPONENT BOLT KIT

A/SFBTM64 Split Flange Branch Tee (Metric) - ISO 6162-2 Assembly

Size (inch)	Tee Part No.	WT. kgs./pc
1/2"	A/SFBTM64-050-*	1.57
3/4"	A/SFBTM64-075-*	2.01
1"	A/SFBTM64-100-*	2.64
1 1/4"	A/SFBTM64-125-*	3.98
1 1/2"	A/SFBTM64-150-*	6.03
2"	A/SFBTM64-200-*	8.56

* INSERT 'V' TO INDICATE OPTIONAL VITON 'O' RINGS

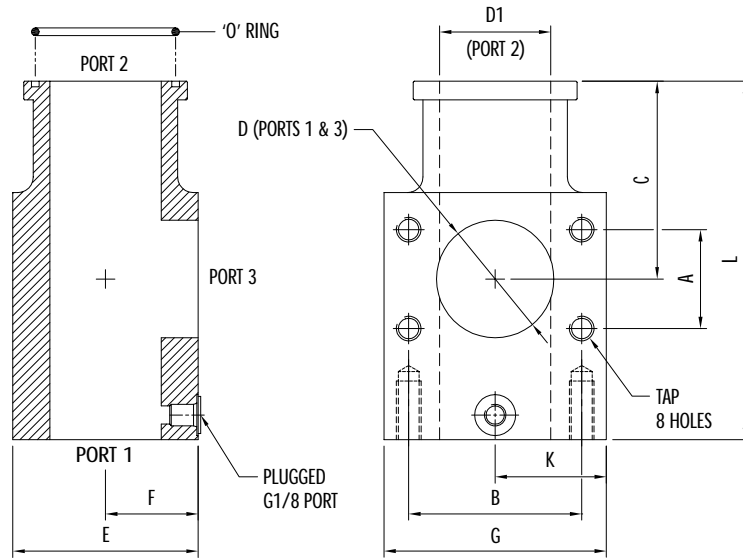
- ASSEMBLY WORKING PRESSURE RATINGS ARE SUBJECT TO THE LESSER OF THE FLANGE OR BODY RATINGS
- SEE REFERENCE PAGES INDICATED ABOVE FOR PRESSURE RATINGS

MATERIAL: CARBON STEEL, YELLOW ZINC DICHROMATE PLATED, (STAINLESS STEEL AVAILABLE)



Split Flange Run Tee - Metric

ISO 6162-1 Flange Style - Body Only



SFRTM34 Split Flange Run Tee (Metric) - ISO 6162-1 Flat Face With Tapped Holes

Complete With Nitrile 'O' Ring (Standard) and G1/8 Port (Plugged)

Size (inch)	Tee Part No.	Dimensions (millimeters)										Thread	'O' Ring (Nitrile) Part No.	WT. kgs./pc	Working Pressure (bar)
		A	B	C	D	D1	E	F	G	K	L				
1/2"	SFRTM34-050-*	17.5	38.1	53.8	12.7	9.7	50.8	25.4	63.5	31.8	101.6	M8 x 1.25	OR*-2-210	1.59	350
3/4"	SFRTM34-075-*	22.4	47.8	69.9	19.1	16.0	50.8	25.4	76.2	38.1	127.0	M10 x 1.50	OR*-2-214	2.32	350
1"	SFRTM34-100-*	26.2	52.3	69.9	23.9	22.4	50.8	25.4	76.2	38.1	127.0	M10 x 1.50	OR*-2-219	2.27	350
1 1/4"	SFRTM34-125-*	30.2	58.7	82.6	31.8	28.7	57.2	28.7	76.2	38.1	152.4	M10 x 1.50	OR*-2-222	2.82	275
1 1/2"	SFRTM34-150-*	35.8	69.9	82.6	38.1	34.9	63.5	31.8	101.6	50.8	152.4	M12 x 1.75	OR*-2-225	4.09	210
2"	SFRTM34-200-*	42.9	77.7	88.9	49.3	47.8	76.2	38.1	101.6	50.8	165.1	M12 x 1.75	OR*-2-228	5.16	210
2 1/2"	SFRTM34-250-*	50.8	88.9	101.6	60.5	60.5	88.9	44.5	114.3	57.2	184.2	M12 x 1.75	OR*-2-232	7.32	175
3"	SFRTM34-300-*	62.0	106.4	120.7	73.2	73.2	101.6	50.8	139.7	69.9	215.9	M16 x 2.00	OR*-2-237	12.39	140

* INSERT 'V' TO INDICATE OPTIONAL VITON 'O' RINGS

- OTHER SPLIT FLANGE TEES ARE AVAILABLE (CONSULT FACTORY)
- TO ORDER COMPLETE ASSEMBLY REFERENCE PAGE H21
- FOR SPLIT FLANGES REFERENCE PAGE N2

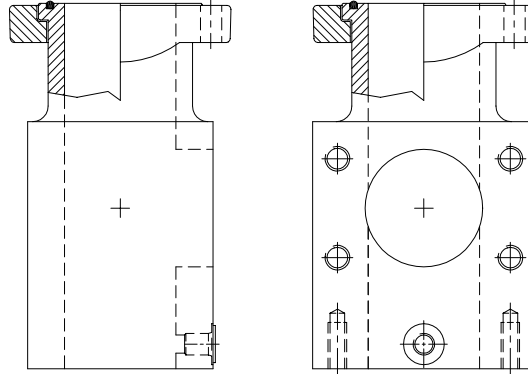
MATERIAL: CARBON STEEL, YELLOW ZINC DICHROMATE PLATED, (STAINLESS STEEL AVAILABLE)



Split Flange Run Tee Assembly - Metric

ISO 6162-1 Flange Style

Typical A/SFRTM34 Assembly



COMPLETE ASSEMBLY CONSISTS OF:

- ISO 6162-1 SPLIT FLANGE RUN TEE BODY (REF. PAGE H20)
- ONE SET (2 HALVES) ISO 6162-1 SPLIT FLANGES (REF. PAGE N2)
- ONE (1) NITRILE 'O' RING (STANDARD)
- ONE (1) COMPONENT BOLT KIT

A/SFRTM34 Split Flange Run Tee (Metric) - ISO 6162-1 Assembly

Size (inch)	Tee Part No.	WT. kgs./pc
1/2"	A/SFRTM34-050-*	1.76
3/4"	A/SFRTM34-075-*	2.58
1"	A/SFRTM34-100-*	2.57
1 1/4"	A/SFRTM34-125-*	3.22
1 1/2"	A/SFRTM34-150-*	4.75
2"	A/SFRTM34-200-*	5.87
2 1/2"	A/SFRTM34-250-*	8.29
3"	A/SFRTM34-300-*	14.05

* INSERT ' V ' TO INDICATE OPTIONAL VITON 'O' RINGS

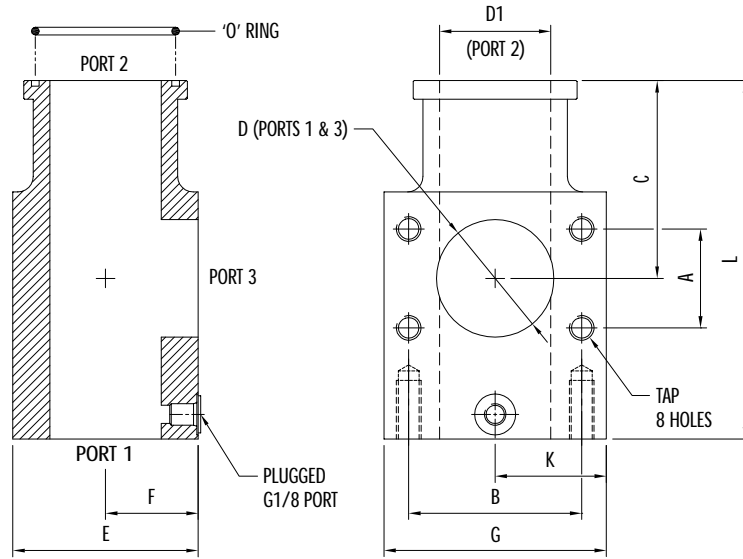
- ASSEMBLY WORKING PRESSURE RATINGS ARE SUBJECT TO THE LESSER OF THE FLANGE OR BODY RATINGS
- SEE REFERENCE PAGES INDICATED ABOVE FOR PRESSURE RATINGS

MATERIAL: CARBON STEEL, YELLOW ZINC DICHROMATE PLATED, (STAINLESS STEEL AVAILABLE)



Split Flange Run Tee - Metric

ISO 6161-2 Flange Style - Body Only



SFRTM64 Split Flange Run Tee (Metric) - ISO 6162-2 Flat Face With Tapped Holes

Complete With Nitrile 'O' Ring (Standard) and G1/8 Port (Plugged)

Size (inch)	Tee Part No.	Dimensions (millimeters)										Thread	'O' Ring (Nitrile) Part No.	WT. kgs./pc	Working Pressure (bar)
		A	B	C	D	D1	E	F	G	K	L				
1/2"	SFRTM64-050-*	18.3	40.4	60.2	12.7	9.7	50.8	25.4	63.5	31.8	108.0	M8 x 1.25	OR*-2-210	1.50	420
3/4"	SFRTM64-075-*	23.9	50.8	76.2	19.1	16.0	50.8	25.4	76.2	38.1	133.4	M10 x 1.50	OR*-2-214	2.45	420
1"	SFRTM64-100-*	27.7	57.2	95.3	23.9	22.4	57.2	28.7	76.2	38.1	158.8	M12 x 1.75	OR*-2-219	3.18	420
1 1/4"	SFRTM64-125-*	31.8	66.8	88.9	31.8	28.7	63.5	31.8	101.6	50.8	158.8	M12 x 1.75	OR*-2-222	4.34	420
1 1/2"	SFRTM64-150-*	36.6	79.5	108.0	38.1	34.9	76.2	38.1	101.6	50.8	184.2	M16 x 2.00	OR*-2-225	5.91	420
2"	SFRTM64-200-*	44.5	96.8	120.7	49.3	47.8	88.9	44.5	127.0	63.5	209.6	M20 x 2.50	OR*-2-228	8.07	420

* INSERT 'V' TO INDICATE OPTIONAL VITON 'O' RINGS

- OTHER SPLIT FLANGE TEES ARE AVAILABLE (CONSULT FACTORY)
- TO ORDER COMPLETE ASSEMBLY REFERENCE PAGE H23
- FOR SPLIT FLANGES REFERENCE PAGE N2

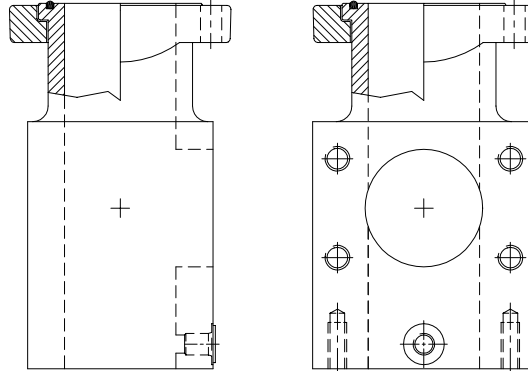
MATERIAL: CARBON STEEL, YELLOW ZINC DICHROMATE PLATED, (STAINLESS STEEL AVAILABLE)



Split Flange Run Tee Assembly - Metric

ISO 6162-2 Flange Style

Typical A/SFRTM64 Assembly



COMPLETE ASSEMBLY CONSISTS OF:

- ISO 6162-2 SPLIT FLANGE RUN TEE BODY (REF. PAGE H22)
- ONE SET (2 HALVES) ISO 6162-2 SPLIT FLANGES (REF. PAGE N2)
- ONE (1) NITRILE 'O' RING (STANDARD)
- ONE (1) COMPONENT BOLT KIT

A/SFRTM64 Split Flange Run Tee (Metric) - ISO 6162-2 Assembly

Size (inch)	Tee Part No.	WT. kgs./pc
1/2"	A/SFRTM64-050-*	1.75
3/4"	A/SFRTM64-075-*	2.88
1"	A/SFRTM64-100-*	3.85
1 1/4"	A/SFRTM64-125-*	5.37
1 1/2"	A/SFRTM64-150-*	7.69
2"	A/SFRTM64-200-*	11.01

* INSERT 'V' TO INDICATE OPTIONAL VITON 'O' RINGS

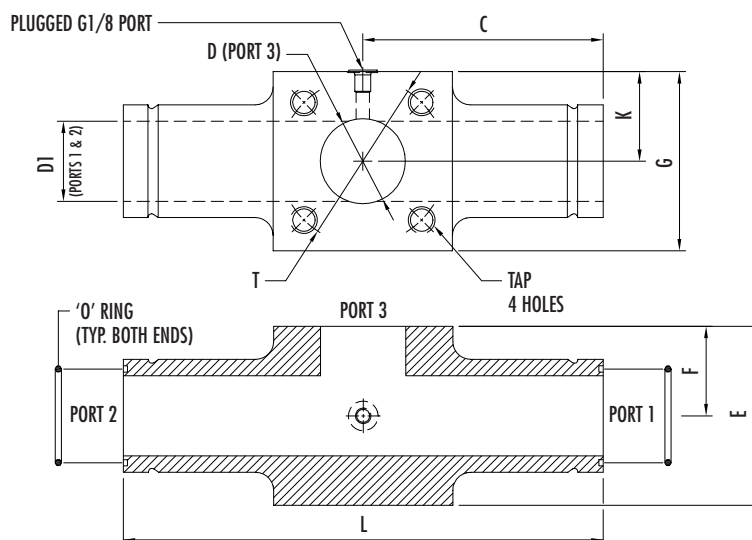
- ASSEMBLY WORKING PRESSURE RATINGS ARE SUBJECT TO THE LESSER OF THE FLANGE OR BODY RATINGS
- SEE REFERENCE PAGES INDICATED ABOVE FOR PRESSURE RATINGS

MATERIAL: CARBON STEEL, YELLOW ZINC DICHROMATE PLATED, (STAINLESS STEEL AVAILABLE)



Retain Ring Flange Tee - Metric

ISO 6164 Flange Style - Body Only



RTM74 Retain Ring Flange Tee (Metric) - ISO 6164 Flat Face With Tapped Holes Complete With Nitrile 'O' Rings (Standard) and G1/8 Port (Plugged)

Size (inch)	Tee Part No.	Dimensions (millimeters)								Thread	'O' Ring (Nitrile) Part No.	WT. kgs./pc	Working Pressure (bar)
		T	C	D	D1	E, G	F	K	L				
2 1/2"	RTM74-250-*	118.1	171.5	60.5	57.2	127.0	63.5	63.5	342.9	M20 x 2.50	OR*-2-232	15.48	400
3"	RTM74-300-*	145.0	203.2	73.2	69.9	152.4	76.2	76.2	406.4	M24 x 3.00	OR*-2-237	22.16	400

* INSERT 'V' TO INDICATE OPTIONAL VITON 'O' RINGS

- OTHER RETAIN RING FLANGE TEES ARE AVAILABLE (CONSULT FACTORY)
- TO ORDER COMPLETE ASSEMBLY REFERENCE PAGE H25

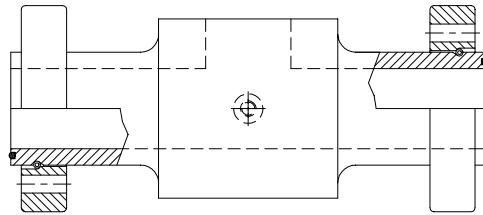
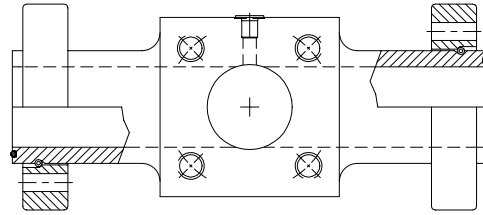
MATERIAL: CARBON STEEL, YELLOW ZINC DICHROMATE PLATED, (STAINLESS STEEL AVAILABLE)



Retain Ring Flange Tee Assembly - Metric

ISO 6164 Flange Style

Typical A/RTM74 Assembly



COMPLETE ASSEMBLY CONSISTS OF:

- ISO 6164 RETAIN RING FLANGE TEE BODY (REF. PAGE H24)
- TWO (2) ISO 6164 RETAIN RING FLANGES (REF. PAGE C10)
- TWO (2) RETAIN RINGS
- TWO (2) NITRILE 'O' RINGS (STANDARD)

A/RTM74 Retain Ring Flange Tee (Metric) - ISO 6164 Assembly

Size (inch)	Tee Part No.	WT. kgs./pc
2 1/2"	A/RTM74-250-*	19.83
3"	A/RTM74-300-*	28.87

* INSERT 'V' TO INDICATE OPTIONAL VITON 'O' RINGS

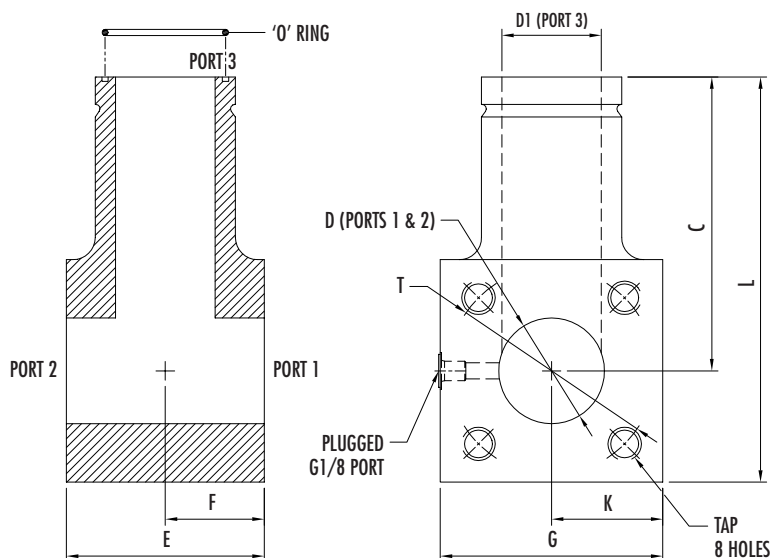
- ASSEMBLY WORKING PRESSURE RATINGS ARE SUBJECT TO THE LESSER OF THE FLANGE OR BODY RATINGS
- SEE REFERENCE PAGES INDICATED ABOVE FOR PRESSURE RATINGS

MATERIAL: CARBON STEEL, YELLOW ZINC DICHROMATE PLATED, (STAINLESS STEEL AVAILABLE)



Retain Ring Flange Branch Tee - Metric

ISO 6164 Flange Style - Body Only



RBTM74 Retain Ring Flange Branch Tee (Metric) - ISO 6164 Flat Face With Tapped Holes Complete With Nitrile 'O' Ring (Standard) and G1/8 Port (Plugged)

Size (inch)	Tee Part No.	Dimensions (millimeters)									Thread	'O' Ring (Nitrile) Part No.	WT. kgs./pc	Working Pressure (bar)
		T	C	D	D1	E	F	G	K	L				
2 1/2"	RBTM74-250-*	118.1	171.5	60.5	57.2	127.0	63.5	127.0	63.5	235.0	M20 x 2.50	OR*-2-232	13.09	400
3"	RBTM74-300-*	145.0	203.2	73.2	69.9	152.4	76.2	152.4	76.2	279.4	M24 x 3.00	OR*-2-237	18.35	400

* INSERT 'V' TO INDICATE OPTIONAL VITON 'O' RINGS

- OTHER RETAIN RING FLANGE TEES ARE AVAILABLE (CONSULT FACTORY)
- TO ORDER COMPLETE ASSEMBLY REFERENCE PAGE H27

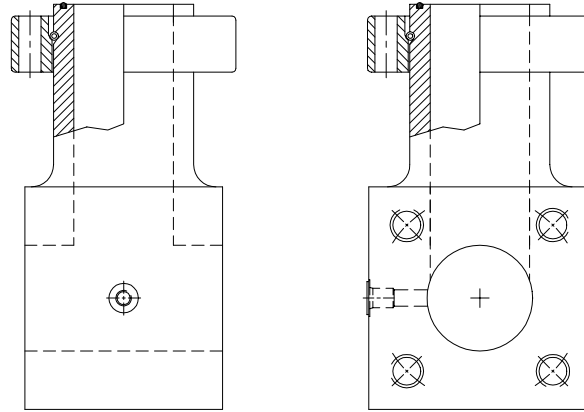
MATERIAL: CARBON STEEL, YELLOW ZINC DICHROMATE PLATED, (STAINLESS STEEL AVAILABLE)



Retain Ring Flange Branch Tee Assembly - Metric

ISO 6164 Flange Style

Typical A/RBTM74 Assembly



COMPLETE ASSEMBLY CONSISTS OF:

- ISO 6164 RETAIN RING FLANGE BRANCH TEE BODY (REF. PAGE H26)
- ONE (1) ISO 6164 RETAIN RING FLANGE (REF. PAGE C10)
- ONE (1) RETAIN RING
- ONE (1) NITRILE 'O' RING (STANDARD)

A/RBTM74 Retain Ring Flange Branch Tee (Metric) - ISO 6164 Assembly

Size (inch)	Tee Part No.	WT. kgs./pc
2 1/2"	A/RBTM74-250-*	15.27
3"	A/RBTM74-300-*	21.93

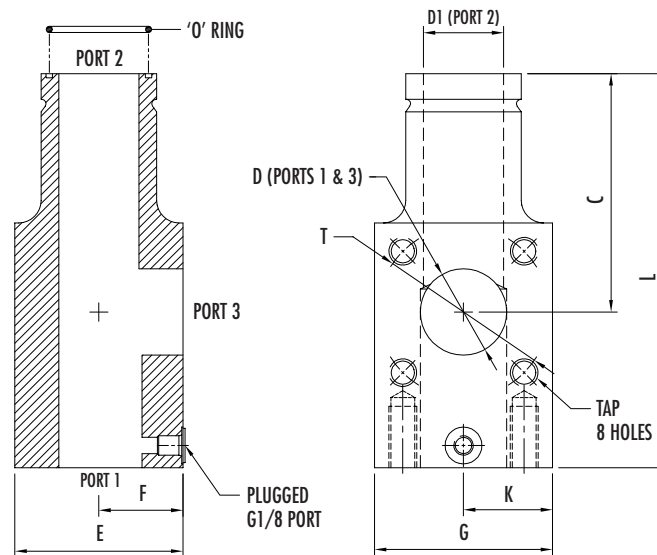
- * INSERT ' V ' TO INDICATE OPTIONAL VITON 'O' RINGS
- ASSEMBLY WORKING PRESSURE RATINGS ARE SUBJECT TO THE LESSER OF THE FLANGE OR BODY RATINGS
- SEE REFERENCE PAGES INDICATED ABOVE FOR PRESSURE RATINGS

MATERIAL: CARBON STEEL, YELLOW ZINC DICHROMATE PLATED, (STAINLESS STEEL AVAILABLE)



Retain Ring Flange Run Tee - Metric

ISO 6164 Flange Style - Body Only



RRTM74 Retain Ring Flange Run Tee (Metric) - ISO 6164 Flat Face With Tapped Holes Complete With Nitrile 'O' Ring (Standard) and G1/8 Port (Plugged)

Size (inch)	Tee Part No.	Dimensions (millimeters)									Thread	'O' Ring (Nitrile) Part No.	WT. kgs./pc	Working Pressure (bar)
		T	C	D	D1	E	F	G	K	L				
2 1/2"	RRTM74-250-*	118.1	171.5	60.5	57.2	127.0	63.5	127.0	63.5	273.1	M20 x 2.50	OR*-2-232	16.88	400
3"	RRTM74-300-*	145.0	203.2	73.2	69.9	152.4	76.2	152.4	76.2	330.2	M24 x 3.00	OR*-2-237	29.53	400

* INSERT 'V' TO INDICATE OPTIONAL VITON 'O' RINGS

- OTHER RETAIN RING FLANGE TEES ARE AVAILABLE (CONSULT FACTORY)
- TO ORDER COMPLETE ASSEMBLY REFERENCE PAGE H29

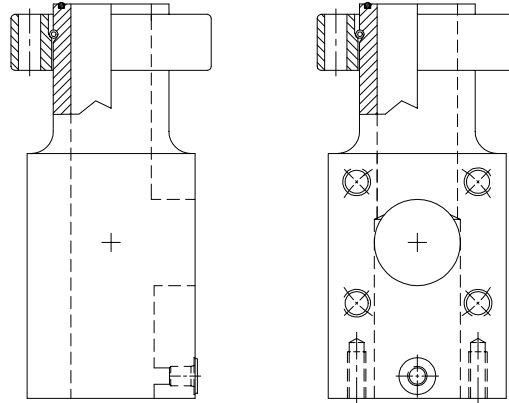
MATERIAL: CARBON STEEL, YELLOW ZINC DICHROMATE PLATED, (STAINLESS STEEL AVAILABLE)



Retain Ring Flange Run Tee Assembly - Metric

ISO 6164 Flange Style

Typical A/RRTM74 Assembly



COMPLETE ASSEMBLY CONSISTS OF:

- ISO 6164 RETAIN RING FLANGE RUN TEE BODY (REF. PAGE H28)
- ONE (1) ISO 6164 RETAIN RING FLANGE (REF. PAGE C10)
- ONE (1) RETAIN RING
- ONE (1) NITRILE 'O' RING (STANDARD)

A/RRTM74 Retain Ring Flange Run Tee (Metric) - ISO 6164 Assembly

Size (inch)	Tee Part No.	WT. kgs./pc
2 1/2"	A/RRTM74-250-*	19.05
3"	A/RRTM74-300-*	33.11

* INSERT 'V' TO INDICATE OPTIONAL VITON 'O' RINGS

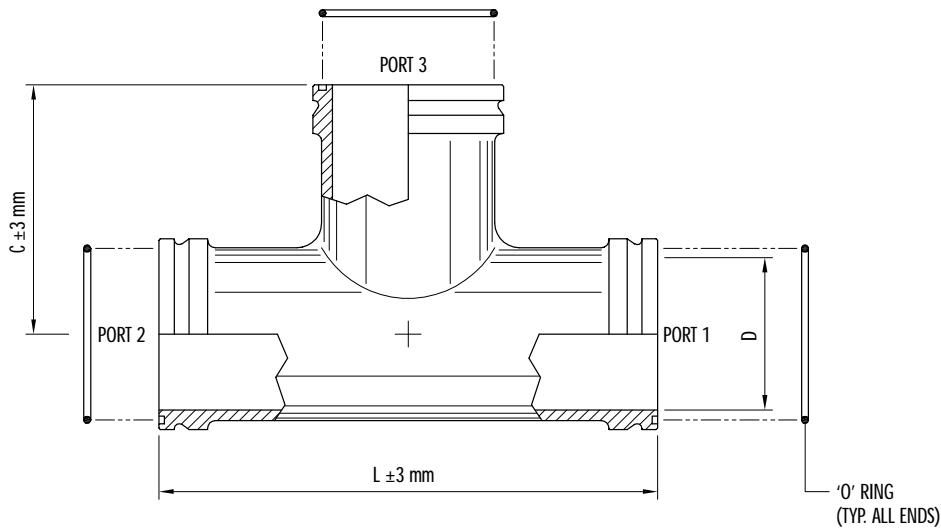
- ASSEMBLY WORKING PRESSURE RATINGS ARE SUBJECT TO THE LESSER OF THE FLANGE OR BODY RATINGS
- SEE REFERENCE PAGES INDICATED ABOVE FOR PRESSURE RATINGS

MATERIAL: CARBON STEEL, YELLOW ZINC DICHROMATE PLATED, (STAINLESS STEEL AVAILABLE)



Low Pressure Retain Ring Flange Tee - Metric

Body Only



LRT Low Pressure Retain Ring Flange Tee - Body Only (segmentally welded)

Complete with Nitrile 'O' Rings (Standard)

Size (inch)	Tee Body Part No.	Dimensions (mm)			'O' Ring (Nitrile) Part No.	WT. kgs./pc	Working Pressure (bar)
		L	C	D			
2 1/2"	LRT-250-*	227.33	113.54	62.74	OR*-2-232	4.12	52
3"	LRT-300-*	256.54	128.27	79.98	OR*-2-237	5.13	52
4"	LRT-400-*	294.64	147.32	102.36	OR*-2-245	8.47	52
5"	LRT-500-*	342.39	171.20	128.27	OR*-2-253	14.07	52
6"	LRT-600-*	390.65	195.33	154.18	OR*-2-259	22.87	48
8"	LRT-800-*	480.31	240.03	202.69	OR*-2-372	38.60	40

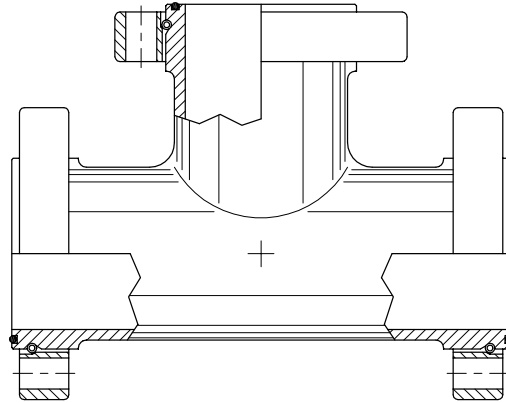
- * INSERT ' V ' TO INDICATE OPTIONAL VITON 'O' RINGS
 - TO ORDER COMPLETE ASSEMBLY REFERENCE PAGE H31
 - TEE BODY INCLUDES BUTT WELD ADAPTERS (REF. PAGES D10-D13)
- MATERIAL:** CARBON STEEL, (STAINLESS STEEL AVAILABLE)



Low Pressure Retain Ring Flange Tee Assembly - Metric

Complete Assembly Part Number

Typical A/LRT Assembly



COMPLETE ASSEMBLY CONSISTS OF:

- ONE (1) LOW PRESSURE RETAIN RING FLANGE TEE BODY
- THREE (3) LOW PRESSURE RETAIN RING FLANGES (REF. PAGES D8-D9)
- THREE (3) LOW PRESSURE RETAIN RINGS
- THREE (3) NITRILE 'O' RINGS (STANDARD)
- ENDS SEALED WITH 6 MIL HEAT SHRINK MATERIAL (2 1/2" & 3")
- ENDS SEALED WITH POSITIVE CLOSURE (4"-8")

A/LRT Low Pressure Retain Ring Flange Tee Assembly

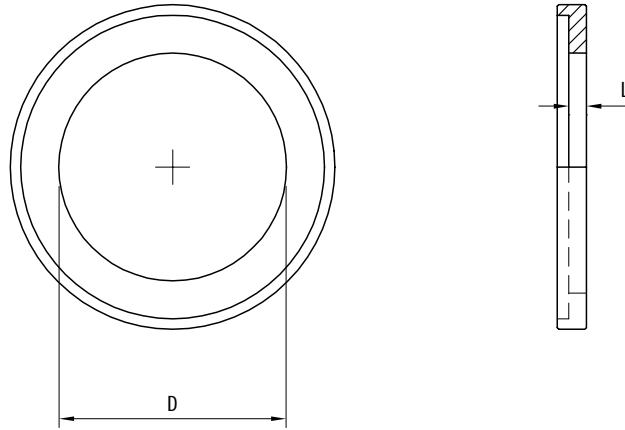
Size (inch)	Complete Assembly Part No.	WT. (Assembly) kgs./pc	Working Pressure (bar)
2 1/2"	A/LRT-250-*	7.07	52
3"	A/LRT-300-*	10.30	52
4"	A/LRT-400-*	17.48	52
5"	A/LRT-500-*	25.81	52
6"	A/LRT-600-*	36.23	48
8"	A/LRT-800-*	64.87	40

* INSERT 'V' TO INDICATE OPTIONAL VITON 'O' RINGS

MATERIAL: CARBON STEEL, (STAINLESS STEEL AVAILABLE)



'O' Ring Connector Plate - Metric



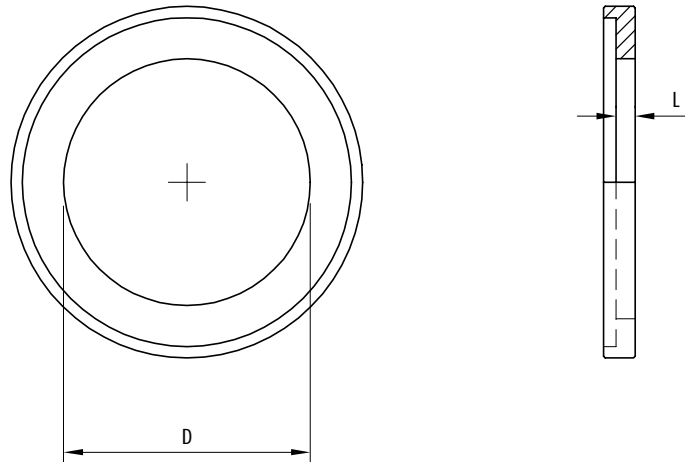
OCP 'O' Ring Connector Plate

Size (inch)	Connector Plate Part No.	Dimensions (mm)		WT. kgs./pc
		D	L	
1/2"	OCP-050	12.7	3.3	0.02
3/4"	OCP-075	19.1	3.3	0.03
1"	OCP-100	23.9	3.3	0.03
1 1/4"	OCP-125	30.5	3.3	0.04
1 1/2"	OCP-150	38.1	3.3	0.05
2"	OCP-200	49.3	3.3	0.06
2 1/2"	OCP-250	59.9	3.3	0.08
3"	OCP-300	73.2	3.3	0.11
4"	OCP-400	85.1	3.3	0.15

MATERIAL: CARBON STEEL, YELLOW ZINC DICHROMATE PLATED, (STAINLESS STEEL AVAILABLE)



Low Pressure 'O' Ring Connector Plate - Metric



LOCP Low Pressure 'O' Ring Connector Plate

Size (inch)	Connector Plate Part No.	Dimensions (mm)		WT. kgs./pc
		D	L	
2 1/2"	LOCP-250	62.7	3.3	0.07
3"	LOCP-300	78.0	3.3	0.10
4"	LOCP-400	102.4	3.3	0.15
5"	LOCP-500	128.3	4.8	0.26
6"	LOCP-600	154.2	4.8	0.36
8"	LOCP-800	202.7	4.8	0.61

MATERIAL: CARBON STEEL, YELLOW ZINC DICHROMATE PLATED, (STAINLESS STEEL AVAILABLE)



