



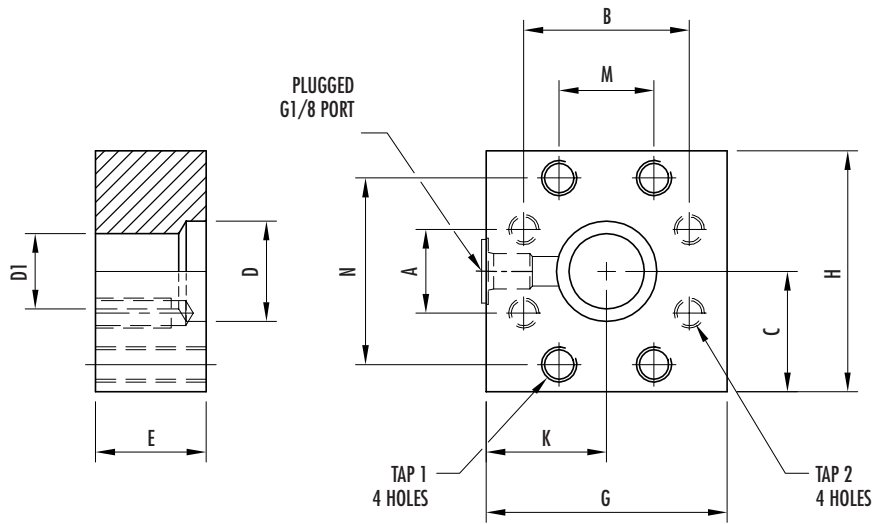
Reducers - Metric Visual Index

UNION STYLE	<p>TPRM34 ISO 6162-1</p> <p>1/2" - 3" Page J2</p>	<p>TPRM64 ISO 6162-2</p> <p>1/2" - 2" Page J4</p>	<p>TPRM74 ISO 6164</p> <p>2 1/2" - 4" Page J6</p>	<p>TPRM48 TMI® 8-BOLT</p> <p>5" - 8" Page J8</p>
	<p>TPRM6-34 ISO 6162-2/6162-1</p> <p>1/2" - 3" Page J10</p>	<p>TPRM7-34 ISO 6164/6162-1</p> <p>1 1/2" - 4" Page J12</p>	<p>TPRM7-64 ISO 6164/6162-2</p> <p>1 1/2" - 4" Page J14</p>	<p>TPRM4-74 TMI® 8-BOLT/ISO 6164</p> <p>4" - 5" Page J16</p>
MANIFOLD MOUNT STYLE	<p>TPROM34 ISO 6162-1</p> <p>1/2" - 3" Page J3</p>	<p>TPROM64 ISO 6162-2</p> <p>1/2" - 2" Page J5</p>	<p>TPROM74 ISO 6164</p> <p>2 1/2" - 4" Page J7</p>	<p>TPROM48 TMI® 8-BOLT</p> <p>5" - 8" Page J9</p>
	<p>TPROM6-34 ISO 6162-2/6162-1</p> <p>1/2" - 2" Page J11</p>	<p>TPROM7-34 ISO 6164/6162-1</p> <p>1 1/2" - 4" Page J13</p>	<p>TPROM7-64 ISO 6164/6162-2</p> <p>1 1/2" - 4" Page J15</p>	<p>TPROM4-74 TMI® 8-BOLT/ISO 6164</p> <p>4" - 5" Page J17</p>
LOW PRESSURE UNION STYLE	<p>TPRM16 TMI® 6-BOLT</p> <p>2 1/2" - 6" Page J18</p>	<p>TPRM1-16 TMI® 8-BOLT/6-BOLT</p> <p>5" - 8" Page J19</p>		
	RETAIN RING FLANGE STYLE	<p>CR REDUCER BODY</p> <p>1/2" - 4" Page J20</p>	<p>A/CR REDUCER ASSEMBLY</p> <p>1/2" - 4" Page J21</p>	<p>LRR LOW PRESSURE REDUCER BODY</p> <p>2 1/2" - 8" Page J22</p>
'O' RING CONNECTOR PLATES		<p>OCP</p> <p>1/2" - 4" Page J24</p>	<p>LOCP LOW PRESSURE</p> <p>2 1/2" - 8" Page J25</p>	



Transition Plate Reducer - Metric

ISO 6162-1 Flange Union Style



TPRM34 Transition Plate Reducer (Metric) - ISO 6162-1 Flat Face With Tapped Holes Complete With G1/8 Port (Plugged)

Size (inch)	Reducer Part No.	Dimensions (millimeters)											Thread 1	Thread 2	WT. kgs./pc	Working Pressure (bar)
		A	B	C	D	D1	E	G	H	K	M	N				
3/4" x 1/2"	TPRM34-075 x 050-*	17.5	38.1	42.9	19.1	12.7	38.1	76.2	76.2	38.1	22.4	47.8	M10 x 1.50	M8 x 1.25	1.02	350
1" x 1/2"	TPRM34-100 x 050-*	17.5	38.1	38.1	23.9	12.7	38.1	76.2	76.2	38.1	26.2	52.3	M10 x 1.50	M8 x 1.25	1.53	350
1" x 3/4"	TPRM34-100 x 075-*	22.4	47.8	38.1	23.9	19.1	38.1	76.2	76.2	38.1	26.2	52.3	M10 x 1.50	M10 x 1.50	0.99	350
1 1/4" x 3/4"	TPRM34-125 x 075-*	22.4	47.8	38.1	31.8	19.1	38.1	76.2	76.2	38.1	30.2	58.7	M10 x 1.50	M10 x 1.50	1.45	350
1 1/4" x 1"	TPRM34-125 x 100-*	26.2	52.3	38.1	31.8	23.9	31.8	76.2	76.2	38.1	30.2	58.7	M10 x 1.50	M10 x 1.50	1.15	350
1 1/2" x 1"	TPRM34-150 x 100-*	26.2	52.3	50.8	38.1	23.9	38.1	76.2	101.6	38.1	35.8	69.9	M12 x 1.75	M10 x 1.50	1.93	350
1 1/2" x 1 1/4"	TPRM34-150 x 125-*	30.2	58.7	50.8	38.1	31.8	38.1	76.2	101.6	38.1	35.8	69.9	M12 x 1.75	M10 x 1.50	1.81	275
2" x 1 1/4"	TPRM34-200 x 125-*	30.2	58.7	50.8	49.3	31.8	44.5	76.2	101.6	38.1	42.9	77.7	M12 x 1.75	M10 x 1.50	2.11	275
2" x 1 1/2"	TPRM34-200 x 150-*	35.8	69.9	50.8	49.3	38.1	44.5	101.6	101.6	50.8	42.9	77.7	M12 x 1.75	M12 x 1.75	2.85	210
2 1/2" x 1 1/2"	TPRM34-250 x 150-*	35.8	69.9	63.5	60.5	38.1	50.8	101.6	127.0	50.8	50.8	88.9	M12 x 1.75	M12 x 1.75	3.75	210
2 1/2" x 2"	TPRM34-250 x 200-*	42.9	77.7	63.5	60.5	49.3	44.5	101.6	127.0	50.8	50.8	88.9	M12 x 1.75	M12 x 1.75	3.44	210
3" x 2"	TPRM34-300 x 200-*	42.9	77.7	76.2	73.2	49.3	50.8	101.6	152.4	50.8	62.0	106.4	M16 x 2.00	M12 x 1.75	4.85	210
3" x 2 1/2"	TPRM34-300 x 250-*	50.8	88.9	76.2	73.2	60.5	44.5	114.3	152.4	57.2	62.0	106.4	M16 x 2.00	M12 x 1.75	4.46	175

* INSERT ' V ' TO INDICATE OPTIONAL VITON 'O' RING FOR G1/8 PLUG

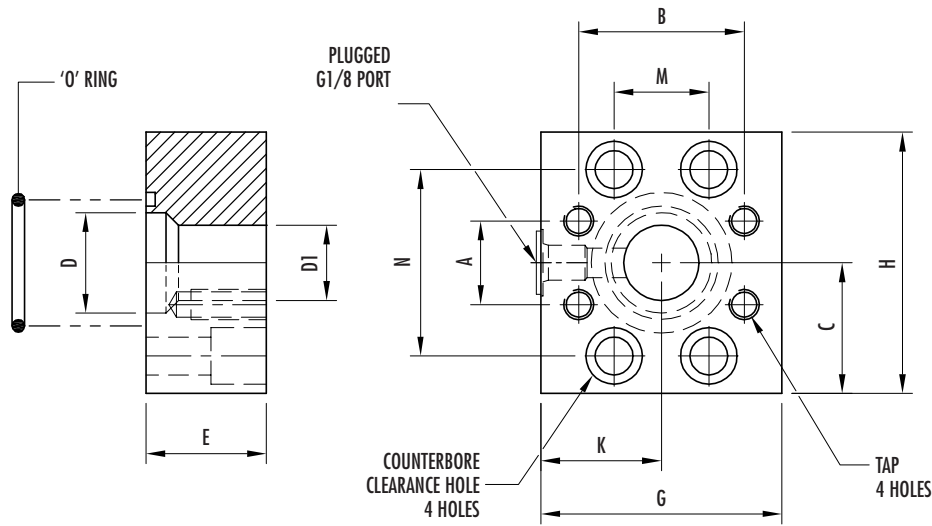
• OTHER REDUCTIONS ARE AVAILABLE (CONSULT FACTORY)

MATERIAL: CARBON STEEL, YELLOW ZINC DICHROMATE PLATED, (STAINLESS STEEL AVAILABLE)



Transition Plate Reducer - Metric

ISO 6162-1 Flange Manifold Mount Style



TPROM34 Transition Plate Reducer (Metric) - ISO 6162-1 'O' Ring Face With Countersunk Holes Complete With Nitrile 'O' Ring (Standard) and G1/8 (Plugged)

Size (inch)	Reducer Part No.	Dimensions (millimeters)											C'Tbore	Thread	'O' Ring (Nitrile) Part No.	WT. kgs./pc	Working Pressure (bar)
		A	B	C	D	DI	E	G	H	K	M	N					
3/4" x 1/2"	TPROM34-075 x 050-*	17.5	38.1	38.1	19.1	12.7	38.1	76.2	76.2	42.9	22.4	47.8	M10	M8 x 1.25	OR*-2-214	0.98	350
1" x 1/2"	TPROM34-100 x 050-*	17.5	38.1	38.1	23.9	12.7	38.1	76.2	76.2	38.1	26.2	52.3	M10	M8 x 1.25	OR*-2-219	1.50	350
1" x 3/4"	TPROM34-100 x 075-*	22.4	47.8	38.1	23.9	19.1	38.1	76.2	76.2	38.1	26.2	52.3	M10	M10 x 1.50	OR*-2-219	0.94	350
1 1/4" x 3/4"	TPROM34-125 x 075-*	22.4	47.8	41.3	31.8	19.1	38.1	76.2	82.6	38.1	30.2	58.7	M10	M10 x 1.50	OR*-2-222	1.43	350
1 1/4" x 1"	TPROM34-125 x 100-*	26.2	52.3	41.3	31.8	23.9	31.8	76.2	82.6	38.1	30.2	58.7	M10	M10 x 1.50	OR*-2-222	1.08	350
1 1/2" x 1"	TPROM34-150 x 100-*	26.2	52.3	50.8	38.1	23.9	38.1	76.2	101.6	38.1	35.8	69.9	M12	M10 x 1.50	OR*-2-225	1.81	350
1 1/2" x 1 1/4"	TPROM34-150 x 125-*	30.2	58.7	50.8	38.1	31.8	38.1	76.2	101.6	38.1	35.8	69.9	M12	M10 x 1.50	OR*-2-225	1.70	275
2" x 1 1/4"	TPROM34-200 x 125-*	30.2	58.7	50.8	49.3	31.8	44.5	76.2	101.6	38.1	42.9	77.7	M12	M10 x 1.50	OR*-2-228	2.00	275
2" x 1 1/2"	TPROM34-200 x 150-*	35.8	69.9	50.8	49.3	38.1	44.5	101.6	101.6	50.8	42.9	77.7	M12	M12 x 1.75	OR*-2-228	2.74	210
2 1/2" x 1 1/2"	TPROM34-250 x 150-*	35.8	69.9	63.5	60.5	38.1	50.8	101.6	127.0	50.8	50.8	88.9	M12	M12 x 1.75	OR*-2-232	3.64	210
2 1/2" x 2"	TPROM34-250 x 200-*	42.9	77.7	63.5	60.5	49.3	44.5	101.6	127.0	50.8	50.8	88.9	M12	M12 x 1.75	OR*-2-232	3.33	210
3" x 2"	TPROM34-300 x 200-*	42.9	77.7	76.2	73.2	49.3	50.8	101.6	152.4	50.8	62.0	106.4	M16	M12 x 1.75	OR*-2-237	4.64	210
3" x 2 1/2"	TPROM34-300 x 250-*	50.8	88.9	76.2	73.2	60.5	44.5	114.3	152.4	57.2	62.0	106.4	M16	M12 x 1.75	OR*-2-237	4.27	175

* INSERT ' V ' TO INICATE OPTIONAL VITON 'O' RING

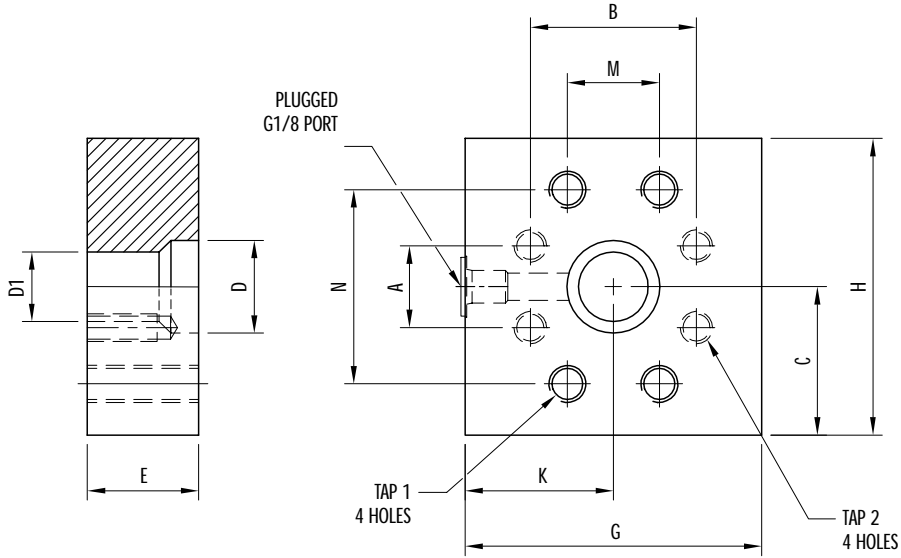
• OTHER REDUCTIONS ARE AVAILABLE (CONSULT FACTORY)

MATERIAL: CARBON STEEL, YELLOW ZINC DICHROMATE PLATED, (STAINLESS STEEL AVAILABLE)



Transition Plate Reducer - Metric

ISO 6162-2 Flange Union Style



TPRM64 Transition Plate Reducer (Metric) - ISO 6162-2 Flat Face With Tapped Holes Complete With G1/8 Port (Plugged)

Size (inch)	Reducer Part No.	Dimensions (millimeters)											Thread 1	Thread 2	WT. kgs./pc	Working Pressure (bar)
		A	B	C	D	D1	E	G	H	K	M	N				
3/4" x 1/2"	TPRM64-075 x 050-*	18.3	40.4	47.8	19.1	12.7	35.1	76.2	82.6	38.1	23.9	50.8	M10 x 1.50	M8 x 1.25	1.56	420
1" x 1/2"	TPRM64-100 x 050-*	18.3	40.4	38.1	23.9	12.7	35.1	76.2	76.2	38.1	27.7	57.2	M12 x 1.75	M8 x 1.25	1.40	420
1" x 3/4"	TPRM64-100 x 075-*	23.9	50.8	38.1	23.9	19.1	31.8	76.2	76.2	38.1	27.7	57.2	M12 x 1.75	M10 x 1.50	1.21	420
1 1/4" x 3/4"	TPRM64-125 x 075-*	23.9	50.8	50.8	31.8	19.1	38.1	76.2	101.6	38.1	31.8	66.8	M12 x 1.75	M10 x 1.50	1.41	420
1 1/4" x 1"	TPRM64-125 x 100-*	27.7	57.2	50.8	31.8	23.9	31.8	76.2	101.6	38.1	31.8	66.8	M12 x 1.75	M12 x 1.75	1.53	420
1 1/2" x 1"	TPRM64-150 x 100-*	27.7	57.2	57.2	38.1	23.9	38.1	76.2	114.3	38.1	36.6	79.5	M16 x 2.00	M12 x 1.75	2.10	420
1 1/2" x 1 1/4"	TPRM64-150 x 125-*	31.8	66.8	57.2	38.1	31.8	38.1	101.6	114.3	50.8	36.6	79.5	M16 x 2.00	M12 x 1.75	2.85	420
2" x 1 1/4"	TPRM64-200 x 125-*	31.8	66.8	63.5	49.3	31.8	44.5	101.6	127.0	50.8	44.5	96.8	M20 x 2.50	M12 x 1.75	3.65	420
2" x 1 1/2"	TPRM64-200 x 150-*	36.6	79.5	63.5	49.3	38.1	44.5	101.6	127.0	50.8	44.5	96.8	M20 x 2.50	M16 x 2.00	3.43	420

* INSERT 'V' TO INDICATE OPTIONAL VITON 'O' RING FOR G1/8 PLUG

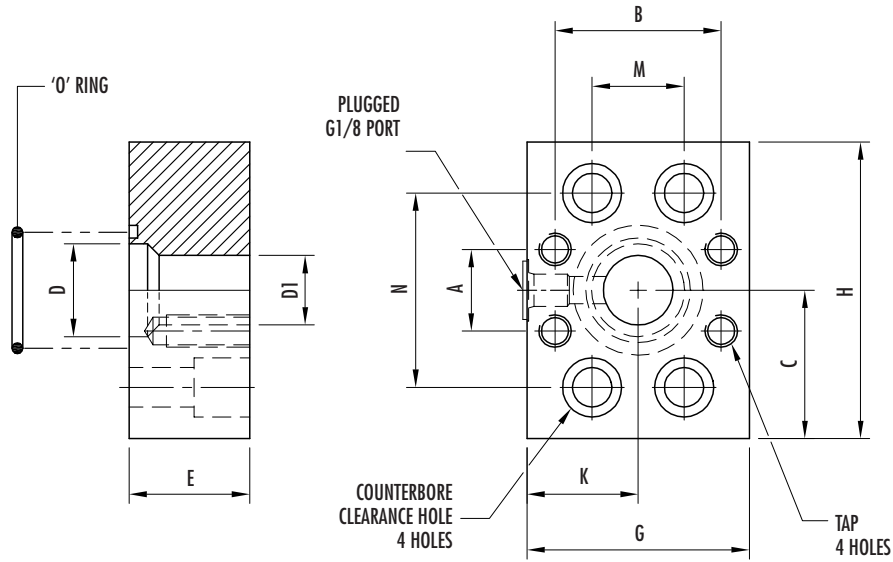
• OTHER REDUCTIONS ARE AVAILABLE (CONSULT FACTORY)

MATERIAL: CARBON STEEL, YELLOW ZINC DICHROMATE PLATED, (STAINLESS STEEL AVAILABLE)



Transition Plate Reducer - Metric

ISO 6162-2 Flange Manifold Mount Style



TPROM64 Transition Plate Reducer (Metric) - ISO 6162-2 'O' Ring Face With Countersunk Holes Complete With Nitrile 'O' Ring (Standard) and G1/8 Port (Plugged)

Size (inch)	Reducer Part No.	Dimensions (millimeters)											C'Tbore	Thread	'O' Ring (Nitrile) Part No.	WT. kgs./pc	Working Pressure (bar)
		A	B	C	D	DI	E	G	H	K	M	N					
3/4" x 1/2"	TPROM64-075 x 050-*	18.3	40.4	38.1	19.1	12.7	24.5	63.5	76.2	38.1	23.9	50.8	M10	M8 x 1.25	OR*-2-214	0.80	420
1" x 1/2"	TPROM64-100 x 050-*	18.3	40.4	38.1	23.9	12.7	38.1	63.5	76.2	38.1	27.7	57.2	M12	M8 x 1.25	OR*-2-219	1.06	420
1" x 3/4"	TPROM64-100 x 075-*	23.9	50.8	38.1	23.9	19.1	31.8	76.2	76.2	38.1	27.7	57.2	M12	M10 x 1.50	OR*-2-219	1.13	420
1 1/4" x 3/4"	TPROM64-125 x 075-*	23.9	50.8	50.8	31.8	19.1	38.1	76.2	101.6	38.1	31.8	66.8	M12	M10 x 1.50	OR*-2-222	1.88	420
1 1/4" x 1"	TPROM64-125 x 100-*	27.7	57.2	50.8	31.8	23.9	31.8	76.2	101.6	38.1	31.8	66.8	M12	M12 x 1.75	OR*-2-222	1.47	420
1 1/2" x 1"	TPROM64-150 x 100-*	27.7	57.2	57.2	38.1	23.9	44.5	76.2	114.3	38.1	36.6	79.5	M16	M12 x 1.75	OR*-2-225	1.90	420
1 1/2" x 1 1/4"	TPROM64-150 x 125-*	31.8	66.8	57.2	38.1	31.8	38.1	101.6	114.3	50.8	36.6	79.5	M16	M12 x 1.75	OR*-2-225	2.33	420
2" x 1 1/4"	TPROM64-200 x 125-*	31.8	66.8	69.9	49.3	31.8	44.5	101.6	139.7	50.8	44.5	96.8	M20	M12 x 1.75	OR*-2-228	3.28	420
2" x 1 1/2"	TPROM64-200 x 150-*	36.6	79.5	69.9	49.3	38.1	44.5	127.0	139.7	63.5	44.5	96.8	M20	M16 x 2.00	OR*-2-228	3.31	420

* INSERT ' V ' TO INDICATE OPTIONAL VITON 'O' RING

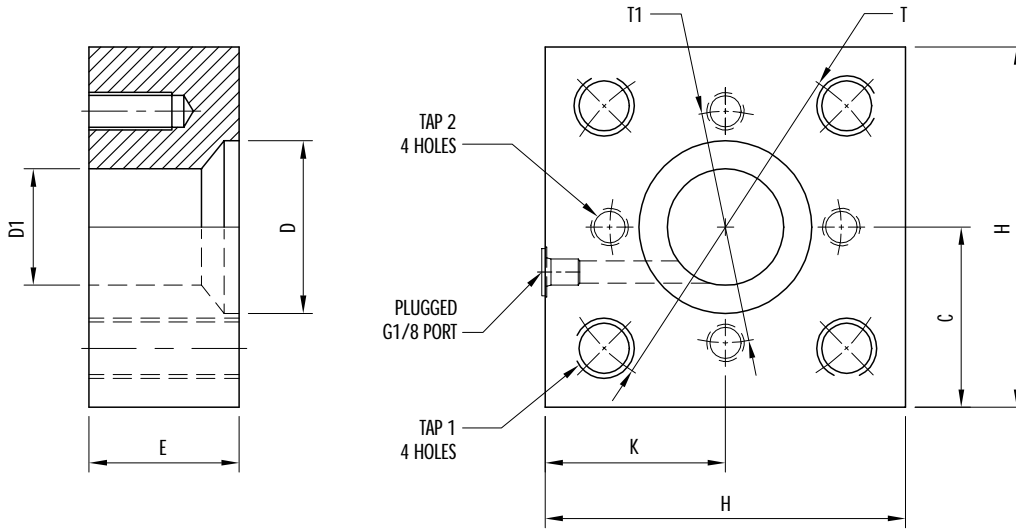
• OTHER REDUCTIONS ARE AVAILABLE (CONSULT FACTORY)

MATERIAL: CARBON STEEL, YELLOW ZINC DICHROMATE PLATED, (STAINLESS STEEL AVAILABLE)



Transition Plate Reducer - Metric

ISO 6164 Flange Union Style



TPRM74 Transition Plate Reducer (Metric) - ISO 6164 Flat Face With Tapped Holes Complete With G1/8 Port (Plugged)

Size (inch)	Reducer Part No.	Dimensions (millimeters)								Thread 1	Thread 2	WT. kgs./pc	Working Pressure (bar)
		T	T1	C	D	D1	E	H	K				
3" x 2 1/2"	TPRM74-300 x 250-*	145.0	118.1	76.2	73.2	60.5	57.2	152.4	76.2	M24 x 3.00	M20 x 2.50	7.56	400
4" x 2 1/2"	TPRM74-400 x 250-*	175.0	118.1	88.9	88.9	60.5	57.2	177.8	88.9	M30 x 3.50	M20 x 2.50	10.95	400
4" x 3"	TPRM74-400 x 300-*	175.0	145.0	95.3	88.9	73.2	63.5	190.5	95.3	M30 x 3.50	M24 x 3.00	13.95	400

* INSERT ' V ' TO INDICATE OPTIONAL VITON 'O' RING FOR G1/8 PLUG

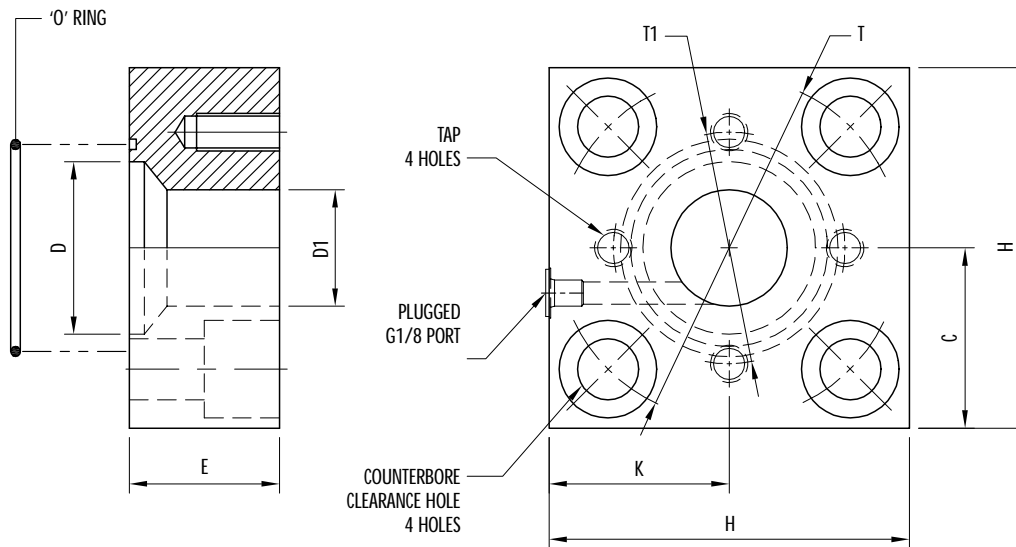
• OTHER REDUCTIONS ARE AVAILABLE (CONSULT FACTORY)

MATERIAL: CARBON STEEL, YELLOW ZINC DICHROMATE PLATED, (STAINLESS STEEL AVAILABLE)



Transition Plate Reducer - Metric

ISO 6164 Flange Manifold Mount Style



TPROM74 Transition Plate Reducer (Metric) - ISO 6164 'O' Ring Face With Countersunk Holes Complete With Nitrile 'O' Ring (Standard) and G1/8 Port (Plugged)

Size (inch)	Reducer Part No.	Dimensions (millimeters)								C'Tbore	Thread	'O' Ring (Nitrile) Part No.	WT. kgs./pc	Working Pressure (bar)
		T	T1	C	D	D1	E	H	K					
3" x 2 1/2"	TPROM74-300 x 250-*	145.0	118.1	76.2	73.2	60.5	44.5	152.4	76.2	M24	M20 x 2.50	OR*-2-237	5.12	400
4" x 2 1/2"	TPROM74-400 x 250-*	175.0	118.1	88.9	88.9	60.5	57.2	177.8	88.9	M30	M20 x 2.50	OR*-2-241	5.53	400
4" x 3"	TPROM74-400 x 300-*	175.0	145.0	95.3	88.9	73.2	50.8	190.5	95.3	M30	M24 x 3.00	OR*-2-241	9.72	400

* INSERT ' V ' TO INDICATE OPTIONAL VITON 'O' RING

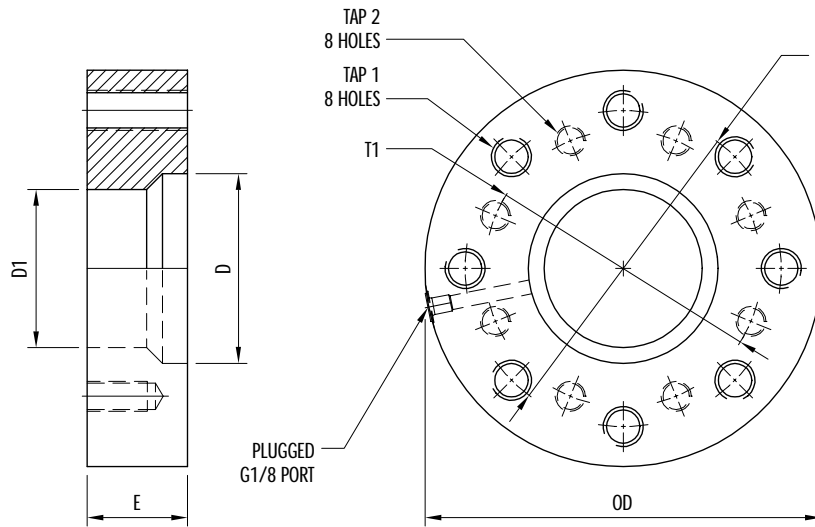
• OTHER REDUCTIONS ARE AVAILABLE (CONSULT FACTORY)

MATERIAL: CARBON STEEL, YELLOW ZINC DICHROMATE PLATED, (STAINLESS STEEL AVAILABLE)



Transition Plate Reducer - Metric

TMI® 8-Bolt Flange Union Style



TPRM48 Transition Plate Reducer (Metric) - TMI® 8-Bolt Flat Face With Tapped Holes Complete With G1/8 Port (Plugged)

Size (inch)	Reducer Part No.	Dimensions (millimeters)						Thread 1	Thread 2	WT. kgs./pc	Working Pressure (bar)
		T	T1	D	D1	OD	E				
6" x 5"	TPRM48-600 x 500-*	245.1	200.2	124.5	101.6	300.0	50.8	M30 x 3.50	M24 x 3.00	22.90	255
8" x 5"	TPRM48-800 x 500-*	315.0	200.2	173.0	101.6	393.7	76.2	M36 x 4.00	M24 x 3.00	60.09	240
8" x 6"	TPRM48-800 x 600-*	315.0	245.1	173.0	124.5	393.7	63.5	M36 x 4.00	M30 x 3.50	47.51	240

* INSERT ' V ' TO INDICATE OPTIONAL VITON 'O' RING FOR G1/8 PLUG

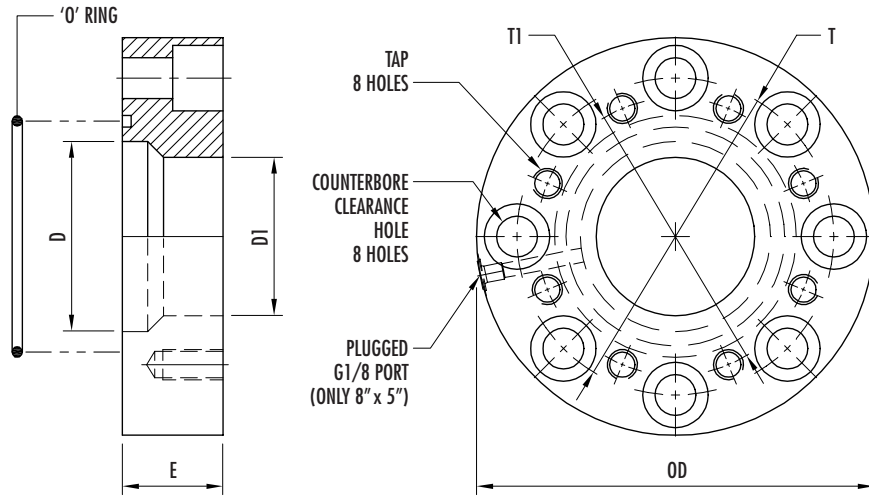
• OTHER REDUCTIONS ARE AVAILABLE (CONSULT FACTORY)

MATERIAL: CARBON STEEL, YELLOW ZINC DICHROMATE PLATED, (STAINLESS STEEL AVAILABLE)



Transition Plate Reducer - Metric

TMI® 8-Bolt Flange Manifold Mount Style



TPROM48 Transition Plate Reducer (Metric) - TMI® 8-Bolt 'O' Ring Face With Countersunk Holes Complete With Nitrile 'O' Ring (Standard) G1/8 Port (Plugged)

Size (inch)	Reducer Part No.	Dimensions (millimeters)						C'Tbore	Thread	'O' Ring (Nitrile) Part No.	WT. kgs./pc	Working Pressure (bar)
		T	T1	D	D1	OD	E					
6" x 5"	TPROM48-600 x 500-*	245.1	200.2	124.5	101.6	300.0	50.8	M30	M24 x 3.00	OR*-2-359	19.09	255
8" x 5"	TPROM48-800 x 500-*	315.0	200.2	173.0	101.6	393.7	76.2	M36	M24 x 3.00	OR*-2-368	54.68	240
8" x 6"	TPROM48-800 x 600-*	315.0	245.1	173.0	124.5	393.7	63.5	M36	M30 x 3.50	OR*-2-368	42.64	240

* INSERT ' V ' TO INDICATE OPTIONAL VITON 'O' RING

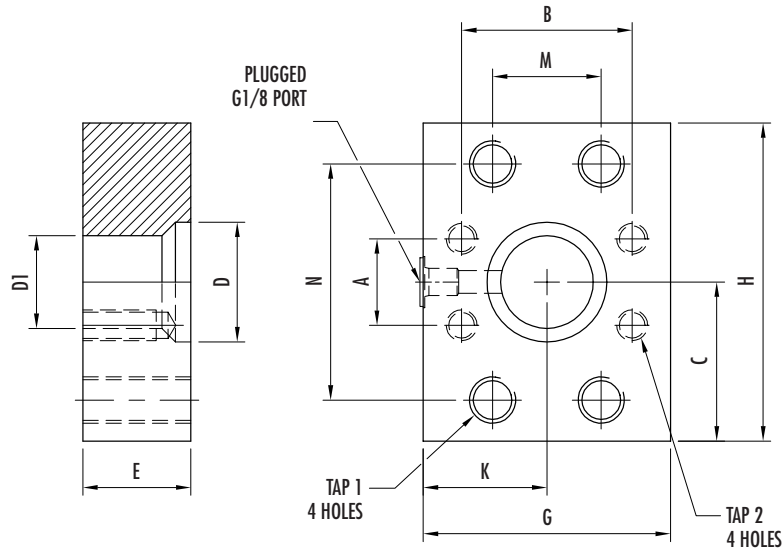
• OTHER REDUCTIONS ARE AVAILABLE (CONSULT FACTORY)

MATERIAL: CARBON STEEL, YELLOW ZINC DICHROMATE PLATED, (STAINLESS STEEL AVAILABLE)



Transition Plate Reducer - Metric

ISO 6162-2/ISO 6162-1 Flange Union Style



TPRM6-34 Transition Plate Reducer (Metric) - ISO 6162-2/6162-1 Flat Face With Tapped Holes Complete With G1/8 Port (Plugged)

Size (ISO 6162-2 x 6162-1)	Reducer Part No.	Dimensions (millimeters)											Thread 1	Thread 2	WT. kgs./ pc	Working Pressure (bar)
		A	B	C	D	D1	E	G	H	K	M	N				
3/4" x 1/2"	TPRM6-34-075 x 050-*	17.5	38.1	41.3	19.1	12.7	25.4	63.5	76.2	31.8	23.9	50.8	M10 x 1.50	M8 x 1.25	0.92	350
1" x 1/2"	TPRM6-34-100 x 050-*	17.5	38.1	38.1	23.9	12.7	38.1	76.2	76.2	38.1	27.7	57.2	M12 x 1.75	M8 x 1.25	1.52	350
1" x 3/4"	TPRM6-34-100 x 075-*	22.4	47.8	38.1	23.9	19.1	31.8	76.2	76.2	38.1	27.7	57.2	M12 x 1.75	M10 x 1.50	1.21	350
1 1/4" x 3/4"	TPRM6-34-125 x 075-*	22.4	47.8	44.5	31.8	19.1	38.1	76.2	88.9	38.1	31.8	66.8	M12 x 1.75	M10 x 1.50	1.70	350
1 1/4" x 1"	TPRM6-34-125 x 100-*	26.2	52.3	44.5	31.8	23.9	31.8	76.2	88.9	38.1	31.8	66.8	M12 x 1.75	M10 x 1.50	1.36	350
1 1/2" x 1"	TPRM6-34-150 x 100-*	26.2	52.3	50.8	38.1	23.9	38.1	76.2	101.6	38.1	36.6	79.5	M16 x 2.00	M10 x 1.50	1.84	350
1 1/2" x 1 1/4"	TPRM6-34-150 x 125-*	30.2	58.7	50.8	38.1	31.8	38.1	101.6	101.6	50.8	36.6	79.5	M16 x 2.00	M10 x 1.50	2.08	275
2" x 1 1/4"	TPRM6-34-200 x 125-*	30.2	58.7	63.5	49.3	31.8	44.5	101.6	127.0	50.8	44.5	96.8	M20 x 2.50	M10 x 1.50	3.69	275
2" x 1 1/2"	TPRM6-34-200 x 150-*	35.8	69.9	63.5	49.3	38.1	38.1	127.0	127.0	63.5	44.5	96.8	M20 x 2.50	M12 x 1.75	3.99	210

* INSERT ' V ' TO INDICATE OPTIONAL VITON 'O' RING FOR G1/8 PLUG

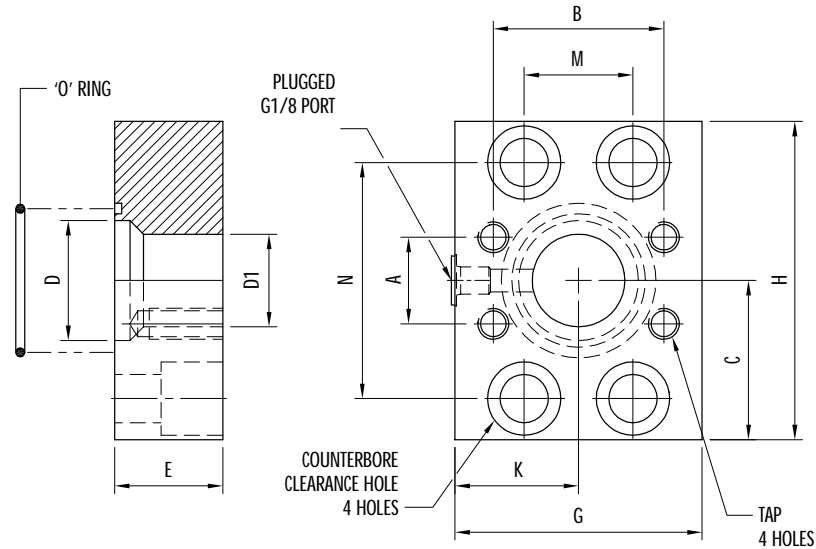
• OTHER REDUCTIONS ARE AVAILABLE (CONSULT FACTORY)

MATERIAL: CARBON STEEL, YELLOW ZINC DICHROMATE PLATED, (STAINLESS STEEL AVAILABLE)



Transition Plate Reducer - Metric

ISO 6162-2/6162-1 Flange Manifold Mount Style



TPROM6-34 Transition Plate Reducer (Metric) - ISO 6162-2/6162-1 'O' Ring Face With Countersunk Holes Complete With Nitrile 'O' Ring (Standard) and G1/8 Port (Plugged)

Size (ISO 6162-2 x 6162-1)	Reducer Part No.	Dimensions (millimeters)											C'Tbore	Thread	'O' Ring (Nitrile) Part No.	WT. kgs./ pc	Working Pressure (bar)
		A	B	C	D	D1	E	G	H	K	M	N					
3/4" x 1/2"	TPROM6-34-075 x 050-*	17.5	38.1	35.1	19.1	12.7	38.1	76.2	69.9	44.5	23.9	50.8	M10	M8 x 1.25	OR*-2-214	1.36	350
1" x 1/2"	TPROM6-34-100 x 050-*	17.5	38.1	38.1	23.9	12.7	38.1	76.2	76.2	44.5	27.7	57.2	M12	M8 x 1.25	OR*-2-219	1.45	350
1" x 3/4"	TPROM6-34-100 x 075-*	22.4	47.8	38.1	23.9	19.1	38.1	76.2	76.2	44.5	27.7	57.2	M12	M10 x 1.50	OR*-2-219	1.37	350
1 1/4" x 3/4"	TPROM6-34-125 x 075-*	22.4	47.8	44.5	31.8	19.1	38.1	76.2	88.9	44.5	31.8	66.8	M12	M10 x 1.50	OR*-2-222	1.59	350
1 1/4" x 1"	TPROM6-34-125 x 100-*	26.2	52.3	44.5	31.8	23.9	25.4	76.2	88.9	38.1	31.8	66.8	M12	M10 x 1.50	OR*-2-222	0.99	350
1 1/2" x 1"	TPROM6-34-150 x 100-*	26.2	52.3	57.2	38.1	23.9	44.5	88.9	114.3	50.8	36.6	79.5	M16	M10 x 1.50	OR*-2-225	2.79	350
1 1/2" x 1 1/4"	TPROM6-34-150 x 125-*	30.2	58.7	57.2	38.1	31.8	44.5	76.2	114.3	38.1	36.6	79.5	M16	M10 x 1.50	OR*-2-225	2.15	275
2" x 1 1/4"	TPROM6-34-200 x 125-*	30.2	58.7	66.8	49.3	31.8	44.5	101.6	133.4	50.8	44.5	96.8	M20	M10 x 1.50	OR*-2-228	3.56	275
2" x 1 1/2"	TPROM6-34-200 x 150-*	35.8	69.9	66.8	49.3	38.1	44.5	101.6	133.4	50.8	44.5	96.8	M20	M12 x 1.75	OR*-2-228	3.40	210

* INSERT 'V' TO INDICATE OPTIONAL VITON 'O' RING

• OTHER REDUCTIONS ARE AVAILABLE (CONSULT FACTORY)

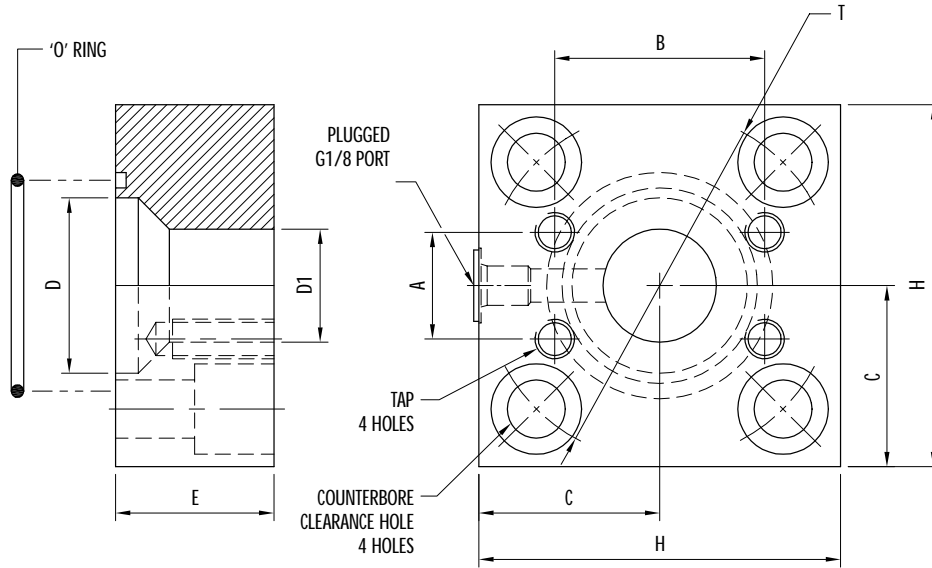
MATERIAL: CARBON STEEL, YELLOW ZINC DICHROMATE PLATED, (STAINLESS STEEL AVAILABLE)





Transition Plate Reducer - Metric

ISO 6164/6162-1 Flange Manifold Mount Style



TPROM7-34 Transition Plate Reducer (Metric) - ISO 6164/6162-1 'O' Ring Face With Countersunk Holes Complete With Nitrile 'O' Ring (Standard) and G1/8 Port (Plugged)

Size (ISO 6164 x 6162-1)	Reducer Part No.	Dimensions (millimeters)								C'Tbore	Thread	'O' Ring (Nitrile) Part No.	WT. kgs./ pc	Working Pressure (bar)
		T	A	B	C	D	D1	E	H					
2 1/2" x 1 1/2"	TPROM7-34-250 x 150-*	118.1	35.8	69.9	63.5	60.5	38.1	47.8	127.0	M20	M12 x 1.75	OR*-2-232	5.55	210
2 1/2" x 2"	TPROM7-34-250 x 200-*	118.1	42.9	77.7	63.5	60.5	49.3	44.5	127.0	M20	M12 x 1.75	OR*-2-232	4.50	210
3" x 2"	TPROM7-34-300 x 200-*	145.0	42.9	77.7	76.2	73.2	49.3	50.8	152.4	M24	M12 x 1.75	OR*-2-237	7.45	210
3" x 2 1/2"	TPROM7-34-300 x 250-*	145.0	50.8	88.9	76.2	73.2	60.5	50.8	152.4	M24	M12 x 1.75	OR*-2-237	7.00	175
4" x 2 1/2"	TPROM7-34-400 x 250-*	175.0	50.8	88.9	88.9	88.9	60.5	50.8	177.8	M30	M12 x 1.75	OR*-2-241	10.09	175
4" x 3"	TPROM7-34-400 x 300-*	175.0	62.0	106.4	88.9	88.9	73.2	50.8	177.8	M30	M16 x 2.00	OR*-2-241	9.86	140

* INSERT 'V' TO INDICATE OPTIONAL VITON 'O' RING

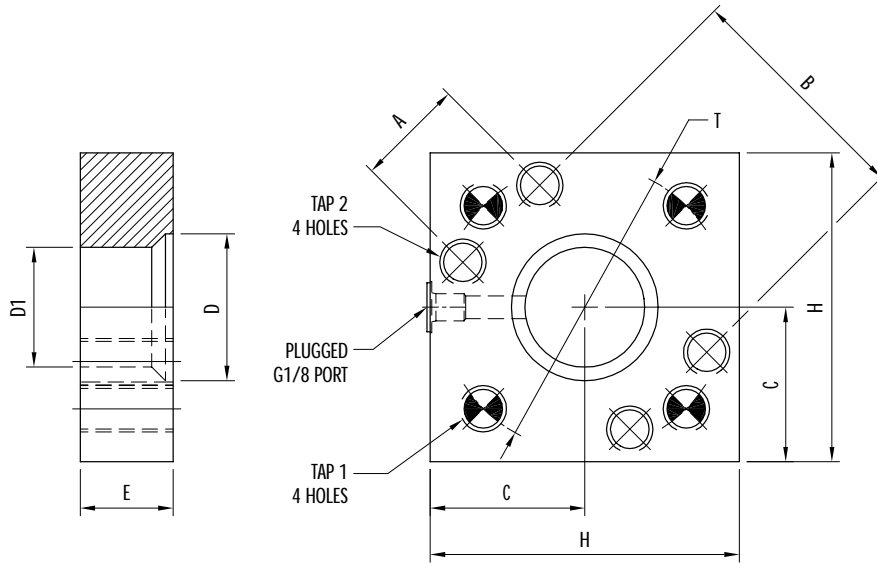
• OTHER REDUCTIONS ARE AVAILABLE (CONSULT FACTORY)

MATERIAL: CARBON STEEL, YELLOW ZINC DICHROMATE PLATED, (STAINLESS STEEL AVAILABLE)



Transition Plate Reducer - Metric

ISO 6164/6162-2 Flange Union Style



TPRM7-64 Transition Plate Reducer (Metric) - ISO 6164/6162-2 Flat Face With Tapped Holes Complete With G1/8 Port (Plugged)

Size (ISO 6164 x 6162-2)	Reducer Part No.	Dimensions (millimeters)								Thread 1	Thread 2	WT. kgs./pc	Working Pressure (bar)
		T	A	B	C	D	D1	E	H				
2 1/2" x 1 1/2"	TPRM7-64-250 x 150-*	118.1	36.6	79.5	63.5	60.5	38.1	50.8	127.0	M20 x 2.50	M16 x 2.00	5.21	400
2 1/2" x 2"	TPRM7-64-250 x 200-*	118.1	44.5	96.8	76.2	60.5	49.3	38.1	152.4	M20 x 2.50	M20 x 2.50	3.93	400
3" x 2"	TPRM7-64-300 x 200-*	145.0	44.5	96.8	76.2	73.2	49.3	57.2	152.4	M24 x 3.00	M20 x 2.50	8.09	400
4" x 2"	TPRM7-64-400 x 200-*	175.0	44.5	96.8	88.9	88.9	49.3	57.2	177.8	M30 x 3.50	M20 x 2.50	11.61	400

* INSERT ' V ' TO INDICATE OPTIONAL VITON 'O' RING FOR G1/8 PLUG

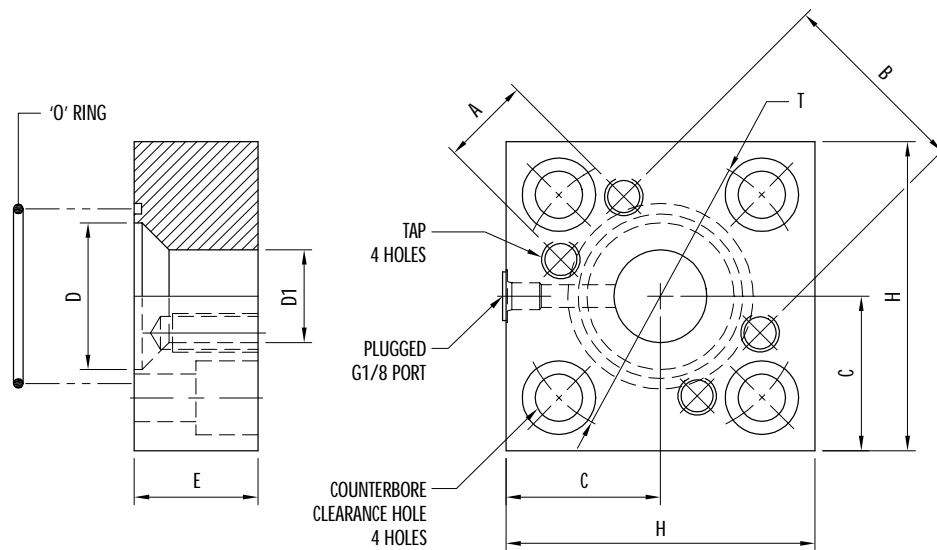
• OTHER REDUCTIONS ARE AVAILABLE (CONSULT FACTORY)

MATERIAL: CARBON STEEL, YELLOW ZINC DICHROMATE PLATED, (STAINLESS STEEL AVAILABLE)



Transition Plate Reducer - Metric

ISO 6164/6162-2 Flange Manifold Mount Style



TPROM7-64 Transition Plate Reducer (Metric) - ISO 6164/6162-2 'O' Ring Face With Countersunk Holes Complete With Nitrile 'O' Ring (Standard) and G1/8 Port (Plugged)

Size (ISO 6164 x 6162-2)	Reducer Part No.	Dimensions (millimeters)								C'Tbore	Thread	'O' Ring (Nitrile) Part No.	WT. kgs./ pc	Working Pressure (bar)
		T	A	B	C	D	D1	E	H					
2 1/2" x 1 1/2"	TPROM7-64-250 x 150-*	118.1	36.6	79.5	63.5	60.5	38.1	50.8	127.0	M20	M16 x 2.00	OR*-2-232	4.82	400
3" x 2"	TPROM7-64-300 x 200-*	145.0	44.5	96.8	76.2	73.2	49.3	57.2	152.4	M24	M20 x 2.50	OR*-2-237	7.30	400
4" x 2"	TPROM7-64-400 x 200-*	175.0	44.5	96.8	88.9	88.9	49.3	57.2	177.8	M30	M20 x 2.50	OR*-2-241	10.50	400

* INSERT ' V ' TO INDICATE OPTIONAL VITON 'O' RING

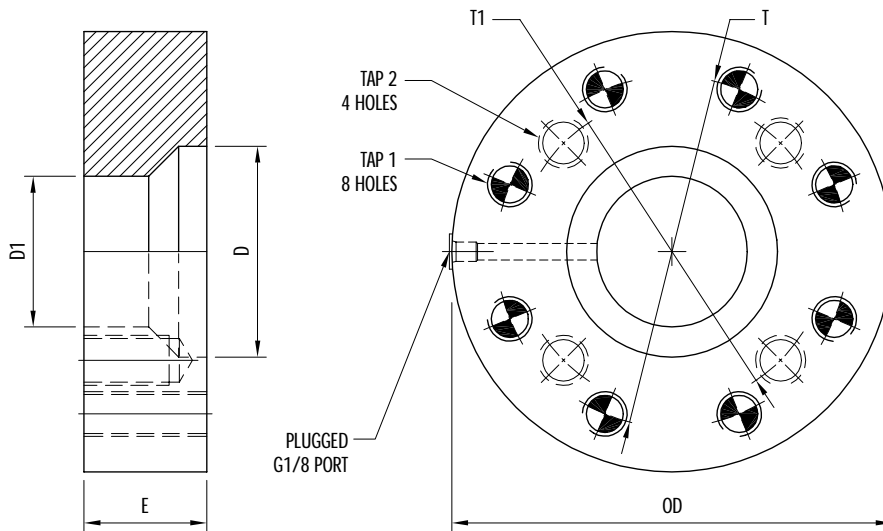
• OTHER REDUCTIONS ARE AVAILABLE (CONSULT FACTORY)

MATERIAL: CARBON STEEL, YELLOW ZINC DICHROMATE PLATED, (STAINLESS STEEL AVAILABLE)



Transition Plate Reducer - Metric

TMI® 8-Bolt/ISO 6164 Flange Union Style



TPRM4-74 Transition Plate Reducer (Metric) - TMI® 8-Bolt/ISO 6164 Flat Face With Tapped Holes Complete With G1/8 Port (Plugged)

Size (TMI® 8-Bolt x ISO 6164)	Reducer Part No.	Dimensions (millimeters)						Thread 1	Thread 2	WT. kgs./pc	Working Pressure (bar)
		T	T1	D	D1	OD	E				
5" x 4"	TPRM4-74-500 x 400-*	200.2	175.0	101.6	88.9	251.0	50.8	M24 x 3.00	M30 x 3.50	14.40	275

* INSERT ' V ' TO INDICATE OPTIONAL VITON 'O' RING FOR G1/8 PLUG

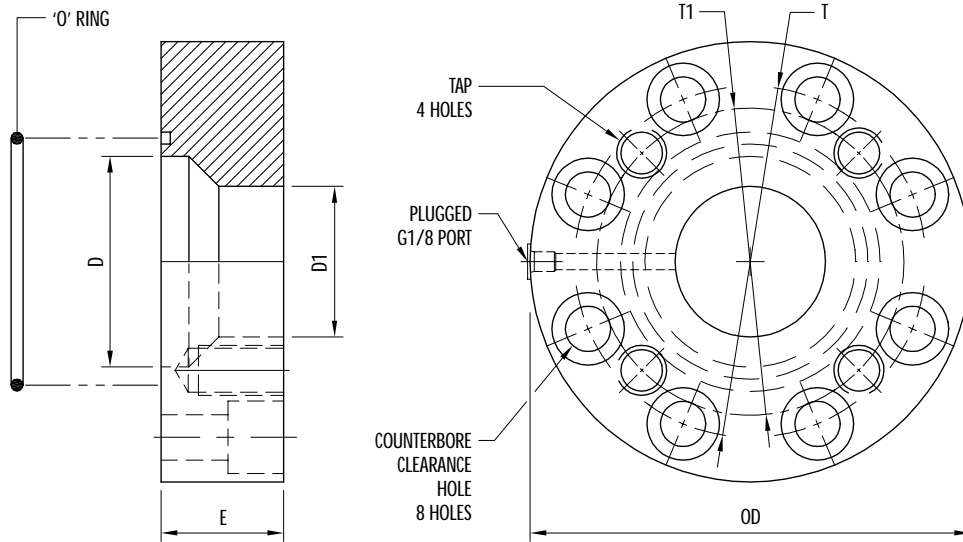
• OTHER REDUCTIONS ARE AVAILABLE (CONSULT FACTORY)

MATERIAL: CARBON STEEL, YELLOW ZINC DICHROMATE PLATED, (STAINLESS STEEL AVAILABLE)



Transition Plate Reducer - Metric

TMI® 8-Bolt/ISO 6164 Flange Manifold Mount Style



TPROM4-74 Transition Plate Reducer (Metric) - TMI® 8-Bolt/ISO 6164 'O' Ring Face With Countersunk Holes Complete With Nitrile 'O' Ring (Standard) and G1/8 (Plugged)

Size (TMI® 8-Bolt x ISO 6164)	Reducer Part No.	Dimensions (millimeters)						C'Tbore	Thread	'O' Ring (Nitrile) Part No.	WT. kgs./ pc	Working Pressure (bar)
		T	T1	D	D1	OD	E					
5" x 4"	TPROM4-74-500 x 400-*	200.2	175.0	101.6	88.9	251.0	50.8	M24	M30 x 3.50	OR*-2-353	13.05	275

* INSERT ' V ' TO INDICATE OPTIONAL VITON 'O' RING

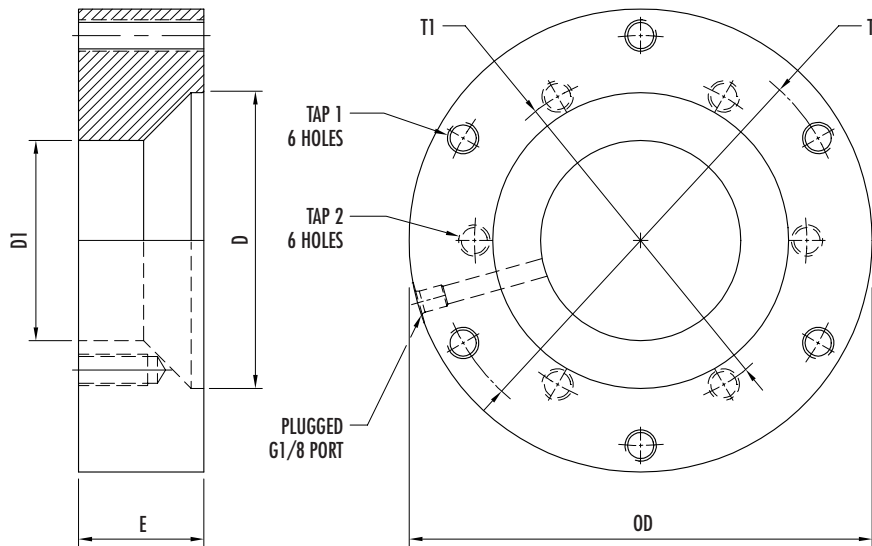
• OTHER REDUCTIONS ARE AVAILABLE (CONSULT FACTORY)

MATERIAL: CARBON STEEL, YELLOW ZINC DICHROMATE PLATED, (STAINLESS STEEL AVAILABLE)



Low Pressure Transition Plate Reducer - Metric

TMI® 6-Bolt Flange Union Style



TPRM16 Low Pressure Transition Plate Reducer (Metric) - TMI® 6-Bolt Flat Face With Tapped Holes Complete With G1/8 Port (Plugged)

Size (inch)	Reducer Part No.	Dimensions (millimeters)						Thread 1	Thread 2	WT. kgs./pc	Working Pressure (bar)
		T	T1	D	D1	OD	E				
3" x 2 1/2"	TPRM16-300 x 250-*	123.2	102.4	78.0	62.7	152.4	44.5	M16 x 2.00	M12 x 1.75	4.58	52
4" x 2 1/2"	TPRM16-400 x 250-*	151.6	102.4	102.4	62.7	177.8	57.2	M16 x 2.00	M12 x 1.75	8.85	52
4" x 3"	TPRM16-400 x 300-*	151.6	123.2	102.4	78.0	177.8	57.2	M16 x 2.00	M16 x 2.00	8.03	52
5" x 3"	TPRM16-500 x 300-*	178.1	123.2	128.3	78.0	209.6	63.5	M16 x 2.00	M16 x 2.00	13.73	52
5" x 4"	TPRM16-500 x 400-*	178.1	151.6	128.3	102.4	209.6	57.2	M16 x 2.00	M16 x 2.00	10.77	52
6" x 4"	TPRM16-600 x 400-*	208.0	151.6	154.2	102.4	235.0	63.5	M16 x 2.00	M16 x 2.00	16.39	48
6" x 5"	TPRM16-600 x 500-*	208.0	178.1	154.2	128.3	235.0	57.2	M16 x 2.00	M16 x 2.00	12.97	48

* INSERT ' V ' TO INDICATE OPTIONAL VITON 'O' RING FOR G1/8 PLUG

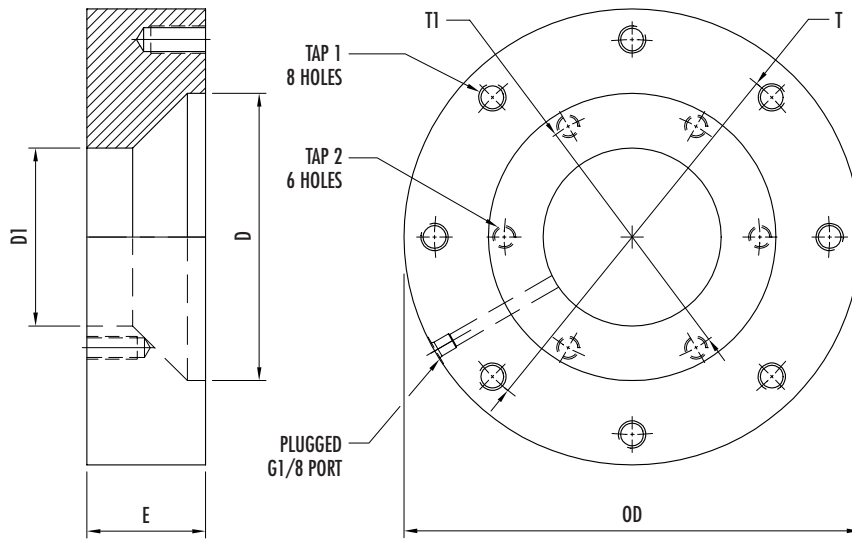
• OTHER REDUCTIONS ARE AVAILABLE (CONSULT FACTORY)

MATERIAL: CARBON STEEL, YELLOW ZINC DICHROMATE PLATED, (STAINLESS STEEL AVAILABLE)



Low Pressure Transition Plate Reducer - Metric

TMI® 8-Bolt/6-Bolt Flange Union Style



TPRM1-16 Low Pressure Transition Plate Reducer (Metric) - TMI® 8-Bolt/6-Bolt Flat Face With Tapped Holes Complete With G1/8 Port (Plugged)

Size (inch)	Reducer Part No.	Dimensions (millimeters)						Thread 1	Thread 2	WT. kgs./pc	Working Pressure (bar)
		T	T1	D	D1	OD	E				
8" x 5"	TPRM1-16-800 x 500-*	275.1	178.1	202.7	128.3	317.5	82.6	M20 x 2.50	M16 x 2.00	41.24	40
8" x 6"	TPRM1-16-800 x 600-*	275.1	208.0	202.7	154.2	317.5	82.6	M20 x 2.50	M16 x 2.00	37.59	40

* INSERT ' V ' TO INDICATE OPTIONAL VITON 'O' RING FOR G1/8 PLUG

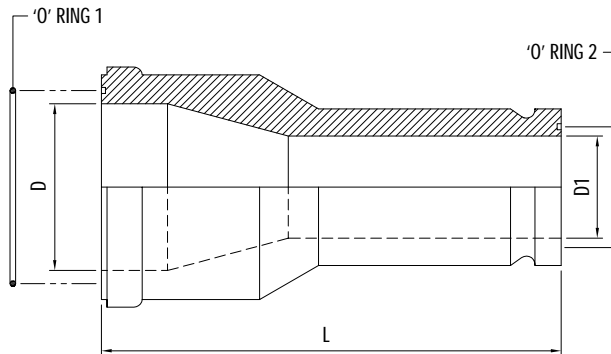
• OTHER REDUCTIONS ARE AVAILABLE (CONSULT FACTORY)

MATERIAL: CARBON STEEL, YELLOW ZINC DICHROMATE PLATED, (STAINLESS STEEL AVAILABLE)



Retain Ring Flange Reducer - Metric

Concentric Style - Body Only



CR Concentric Reducer (Metric)

Complete With Nitrile 'O' Rings (Standard)

Size (inch)	Reducer Part No.	Dimensions (mm)			'O' Ring 1 (Nitrile) Part No.	'O' Ring 2 (Nitrile) Part No.	WT. kgs./pc	Working Pressure (bar)
		L	D	D1				
3/4" x 1/2"	CR-075 x 050-*	94.5	20.1	14.0	OR*-3-913	OR*-3-909	0.39	Note 1.
1" x 1/2"	CR-100 x 050-*	94.5	23.1	14.0	OR*-3-916	OR*-3-909	0.43	
1" x 3/4"	CR-100 x 075-*	114.3	23.1	20.1	OR*-3-916	OR*-3-913	0.66	
1 1/4" x 3/4"	CR-125 x 075-*	114.3	30.0	20.1	OR*-3-918	OR*-3-913	0.76	
1 1/4" x 1"	CR-125 x 100-*	114.3	30.0	23.1	OR*-3-918	OR*-3-916	0.79	
1 1/2" x 1"	CR-150 x 100-*	114.3	39.1	23.1	OR*-3-924	OR*-3-916	0.95	
1 1/2" x 1 1/4"	CR-150 x 125-*	133.6	39.1	30.0	OR*-3-924	OR*-3-918	1.15	
2" x 1 1/4"	CR-200 x 125-*	133.6	49.0	30.0	OR*-3-928	OR*-3-918	1.46	
2" x 1 1/2"	CR-200 x 150-*	133.6	49.0	39.1	OR*-3-928	OR*-3-924	1.56	
2 1/2" x 1 1/2"	CR-250 x 150-*	153.9	59.9	39.1	OR*-2-232	OR*-3-924	2.20	
2 1/2" x 2"	CR-250 x 200-*	153.9	59.9	49.0	OR*-2-232	OR*-3-928	2.30	
3" X 2"	CR-300 x 200-*	177.3	73.2	49.0	OR*-2-237	OR*-2-232	-	
3" X 2 1/2"	CR-300 x 250-*	177.3	73.2	59.9	OR*-2-237	OR*-2-232	-	
4" x 2 1/2"	CR-400 x 250-*	197.1	85.1	59.9	OR*-2-241	OR*-2-232	-	
4" x 3"	CR-400 x 300-*	197.1	85.1	73.2	OR*-2-241	OR*-2-237	-	

* INSERT 'V' TO INDICATE OPTIONAL VITON 'O' RINGS

Note: 1) BODY ONLY WORKING PRESSURE RATING MEETS OR EXCEEDS FLANGE RATINGS SELECTED FOR AN ASSEMBLY - REFERENCE PAGE J21

• TO ORDER COMPLETE ASSEMBLY REFERENCE PAGE J21

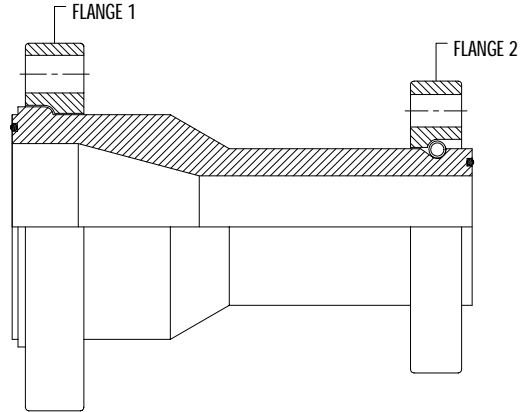
MATERIAL: CARBON STEEL, YELLOW ZINC DICHROMATE PLATED, (STAINLESS STEEL AVAILABLE)



Retain Ring Flange Reducer Assembly - Metric

Complete Assembly Part Number

Typical A/CR Assembly



COMPLETE ASSEMBLY CONSISTS OF:

- ONE (1) CONCENTRIC REDUCER BODY (ref. page J20)
- TWO (2) RETAIN RING FLANGES (ref. pages C8-C10)
- ONE (1) RETAIN RING
- TWO (2) NITRILE 'O' RINGS (STANDARD)
- ENDS SEALED WITH 6 MIL HEAT SHRINK MATERIAL (1/2"-3")
- ENDS SEALED WITH POSITIVE CLOSURE (4")

		Code	A	CR	Body Material	Body Size	Flange 1	Flange 2	Options
Assembly		A							
Concentric Reducer		CR							
Body Material Carbon Steel (Standard)	No Designation Required								
Body Material Stainless Steel (Optional) Ref. page (C7)	TMP304SS	304							
	TMP316SS	316							
Body Size Ref. page (J20)	3/4" x 1/2"	075 x 050							
	1" x 1/2"	100 x 050							
	1" x 3/4"	100 x 075							
	1 1/4" x 3/4"	125 x 075							
	1 1/4" x 1"	125 x 100							
	1 1/2" x 1"	150 x 100							
	1 1/2" x 1 1/4"	150 x 125							
	2" x 1 1/4"	200 x 125							
	2" x 1 1/2"	200 x 150							
	2 1/2" x 1 1/2"	250 x 150							
	2 1/2" x 2"	250 x 200							
	3" x 2"	300 x 200							
	3" x 2 1/2"	300 x 250							
4" x 2 1/2"	400 x 250								
4" x 3"	400 x 300								
Flange Type Ref. pages (C8-C10)	RFC34 ISO 6162-1 W/Clearance Holes	FC34							
	*RFTM34 ISO 6162-1 W/Tapped Holes	FTM34							
	RFC64 ISO 6162-2 W/Clearance Holes	FC64							
	*RFTM64 ISO 6162-2 W/Tapped Holes	FTM64							
	RFC74 ISO 6164 W/Clearance Holes	FC74							
Options	Viton	V							
	Painted (Specify)	P							
Complete Stainless Steel Assembly: (including flanges)		SS							

- * NORMALLY USED FOR CONNECTION TO SPLIT FLANGE TYPE ENDS.
- FOR CONNECTION TO HOSE USE CONNECTOR PLATE OCP (TO BE ORDERED SEPARATELY) REF. PAGE J24

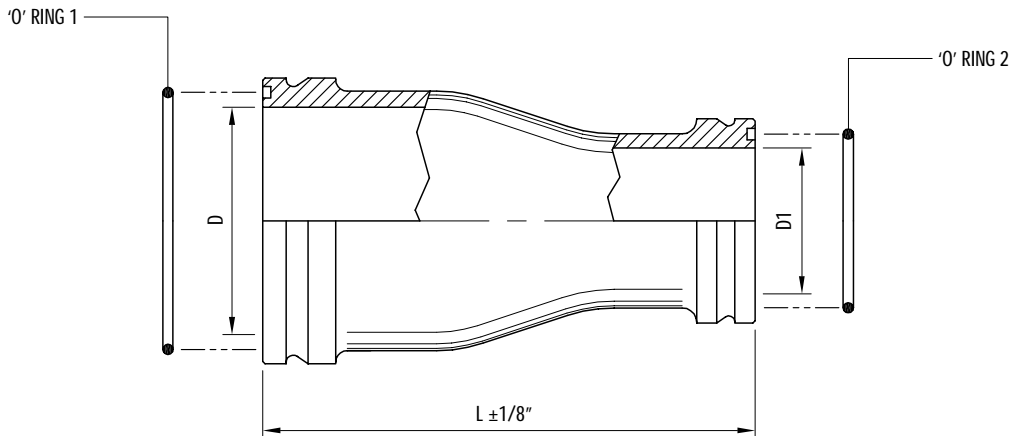
PART NO. (EXAMPLE):
A/CR - 100 x 050 - FC34 - FC34

- ASSEMBLY WORKING PRESSURE RATINGS ARE SUBJECT TO THE FLANGE RATINGS.
- SEE REFERENCE PAGE INDICATED ABOVE FOR PRESSURE RATINGS.
- FOR BOLT KITS - REFERENCE SECTION R



Low Pressure Retain Ring Flange Reducer - Metric

Concentric Style - Body Only



LRR Low Pressure Retain Ring Flange Reducer (Metric) - Body Only (segmentally welded)

Complete with Nitrile 'O' Rings (Standard)

Size (inch)	Reducer Body Part No.	Dimensions (mm)			'O' Ring 1 (Nitrile) Part No.	'O' Ring 2 (Nitrile) Part No.	WT. kgs./pc	Working Pressure (bar)
		L	D	D1				
3" x 2 1/2"	LRR-300 x 250-*	168.7	78.0	62.7	OR*-2-237	OR*-2-232	2.02	52
4" x 2 1/2"	LRR-400 x 250-*	181.4	102.4	62.7	OR*-2-245	OR*-2-232	2.90	52
4" x 3"	LRR-400 x 300-*	186.7	102.4	78.0	OR*-2-245	OR*-2-237	3.15	52
5" x 3"	LRR-500 x 300-*	216.9	128.3	78.0	OR*-2-253	OR*-2-237	4.66	52
5" x 4"	LRR-500 x 400-*	216.9	128.3	102.4	OR*-2-253	OR*-2-245	5.20	52
6" x 4"	LRR-600 x 400-*	234.7	154.2	102.4	OR*-2-259	OR*-2-245	7.19	48
6" x 5"	LRR-600 x 500-*	239.5	154.2	128.3	OR*-2-259	OR*-2-253	7.85	48
8" x 5"	LRR-800 x 500-*	262.1	202.7	128.3	OR*-2-372	OR*-2-253	11.50	40
8" x 6"	LRR-800 x 600-*	267.2	202.7	154.2	OR*-2-372	OR*-2-259	13.03	40

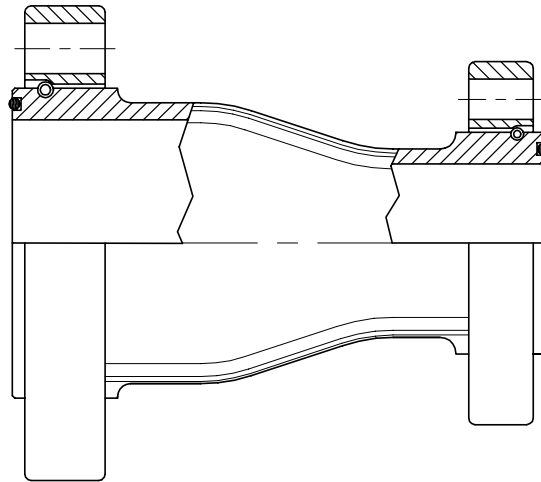
- * INSERT ' V ' TO INDICATE OPTIONAL VITON 'O' RINGS
- TO ORDER COMPLETE ASSEMBLY REFERENCE PAGE J23
 - REDUCER BODY INCLUDES BUTT WELD ADAPTERS (REF. PAGES D10-D13)
- MATERIAL:** CARBON STEEL, (STAINLESS STEEL AVAILABLE)



Low Pressure Retain Ring Flange Reducer Assembly - Metric

Complete Assembly Part Number

Typical A/LRR Assembly



COMPLETE ASSEMBLY CONSISTS OF:

- ONE (1) LOW PRESSURE RETAIN RING FLANGE REDUCER BODY
- TWO (2) LOW PRESSURE RETAIN RING FLANGES (REF. PAGES D8-D9)
- TWO (2) LOW PRESSURE RETAIN RINGS
- TWO (2) BUNA 'O' RINGS (STANDARD)
- ENDS SEALED WITH 6 MIL HEAT SHRINK MATERIAL (2 1/2" & 3")
- ENDS SEALED WITH POSITIVE CLOSURE (4"-8")

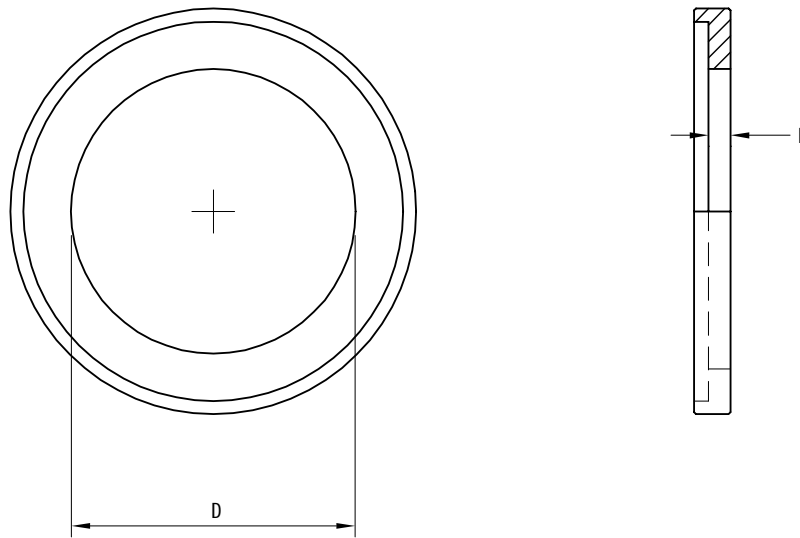
A/LRR Low Pressure Retain Ring Flange Reducer Assembly (Metric)

Size (inch)	Reducer Assembly Part No.	WT. (Assembly) kgs./pc	Working Pressure (bar)
3" x 2 1/2"	A/LRR-300 x 250-*	4.73	52
4" x 2 1/2"	A/LRR-400 x 250-*	6.01	52
4" x 3"	A/LRR-400 x 300-*	7.88	52
5" x 3"	A/LRR-500 x 300-*	10.30	52
5" x 4"	A/LRR-500 x 400-*	12.12	52
6" x 4"	A/LRR-600 x 400-*	14.65	48
6" x 5"	A/LRR-600 x 500-*	16.21	48
8" x 5"	A/LRR-800 x 500-*	24.16	40
8" x 6"	A/LRR-800 x 600-*	26.23	40

* INSERT ' V ' TO INDICATE OPTIONAL VITON 'O' RINGS
MATERIAL: CARBON STEEL, (STAINLESS STEEL AVAILABLE)



'O' Ring Connector Plate - Metric



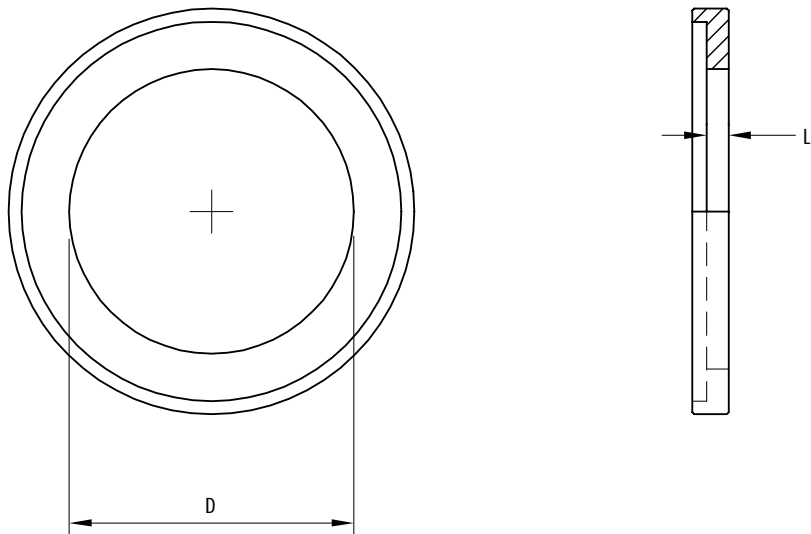
OCP 'O' Ring Connector Plate for Retain Ring Components

Size (inch)	Connector Plate Part No.	Dimensions (mm)		WT. kgs./pc
		D	L	
1/2"	OCP-050	12.7	3.3	0.02
3/4"	OCP-075	19.1	3.3	0.03
1"	OCP-100	23.9	3.3	0.03
1 1/4"	OCP-125	30.5	3.3	0.04
1 1/2"	OCP-150	38.1	3.3	0.05
2"	OCP-200	49.3	3.3	0.06
2 1/2"	OCP-250	59.9	3.3	0.08
3"	OCP-300	73.2	3.3	0.11
4"	OCP-400	85.1	3.3	0.15

MATERIAL: CARBON STEEL, YELLOW ZINC DICHROMATE PLATED, (STAINLESS STEEL AVAILABLE)



Low Pressure 'O' Ring Connector Plate - Metric



LOCP Low Pressure 'O' Ring Connector Plate

Size (inch)	Connector Plate Part No.	Dimensions (mm)		WT. kgs./pc
		D	L	
2 1/2"	LOCP-250	62.7	3.3	0.07
3"	LOCP-300	78.0	3.3	0.10
4"	LOCP-400	102.4	3.3	0.15
5"	LOCP-500	128.3	4.8	0.26
6"	LOCP-600	154,2	4.8	0.36
8"	LOCP-800	202.7	4.8	0.61

MATERIAL: CARBON STEEL, YELLOW ZINC DICHROMATE PLATED, (STAINLESS STEEL AVAILABLE)



