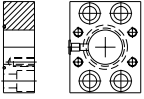
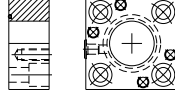




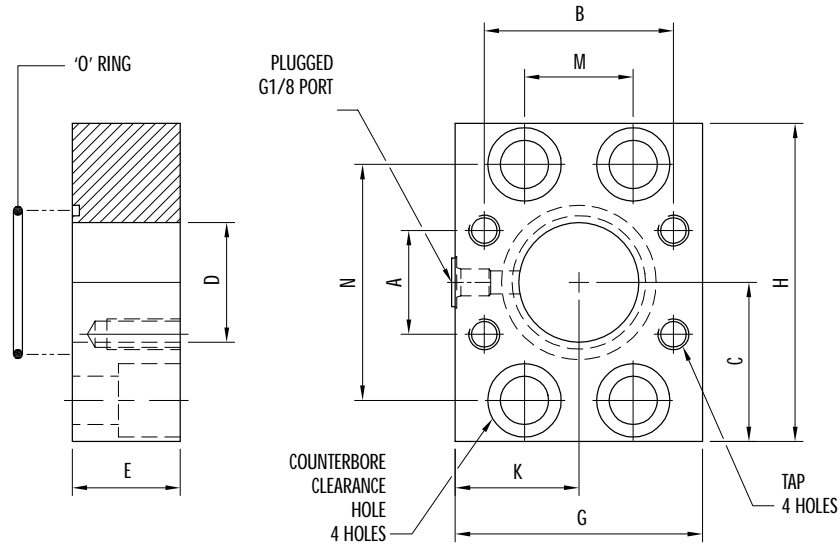
Transition Plates - Metric Visual Index

TRANSITION PLATE MANIFOLD MOUNT STYLE	TPOM6-34 ISO 6162-2/6162-1  1/2" - 2" Page K2	TPOM7-34 ISO 6164/6162-1  2 1/2" - 3" Page K3		



Transition Plate - Metric

ISO 6162-2/6162-1 Flange Manifold Mount Style



TPOM6-34 Transition Plate (Metric) - ISO 6162-2/6162-1 'O' Ring Face With Countersunk Hole Complete With Nitrile 'O' Ring (Standard) and G1/8 Port (Plugged)

Size (inch)	Transition Plate Part No.	Dimensions (millimeters)										C'Tbore	Thread	'O' Ring (Nitrile) Part No.	WT. kgs./pc	Working Pressure (bar)
		A	B	C	D	E	G	H	K	M	N					
1/2"	TPOM6-34-050-*	17.5	38.1	31.8	12.7	25.4	63.5	63.5	38.1	18.3	40.4	M8	M8 x 1.25	OR*-2-210	0.67	350
3/4"	TPOM6-34-075-*	22.4	47.8	38.1	19.1	25.4	76.2	76.2	44.5	23.9	50.8	M10	M10 x 1.50	OR*-2-214	0.93	350
1"	TPOM6-34-100-*	26.2	52.3	38.1	23.9	25.4	76.2	76.2	38.1	27.7	57.2	M12	M10 x 1.50	OR*-2-219	0.82	350
1 1/4"	TPOM6-34-125-*	30.2	58.7	50.8	31.8	31.8	76.2	101.6	38.1	31.8	66.8	M12	M10 x 1.50	OR*-2-222	1.40	275
1 1/2"	TPOM6-34-150-*	35.8	69.9	57.2	38.1	31.8	101.6	114.3	50.8	36.6	79.5	M16	M12 x 1.75	OR*-2-225	2.09	210
2"	TPOM6-34-200-*	42.9	77.7	69.9	49.3	31.8	101.6	139.7	50.8	44.5	96.8	M20	M12 x 1.75	OR*-2-228	3.15	210

* INSERT 'V' TO INDICATE OPTIONAL VITON 'O' RING

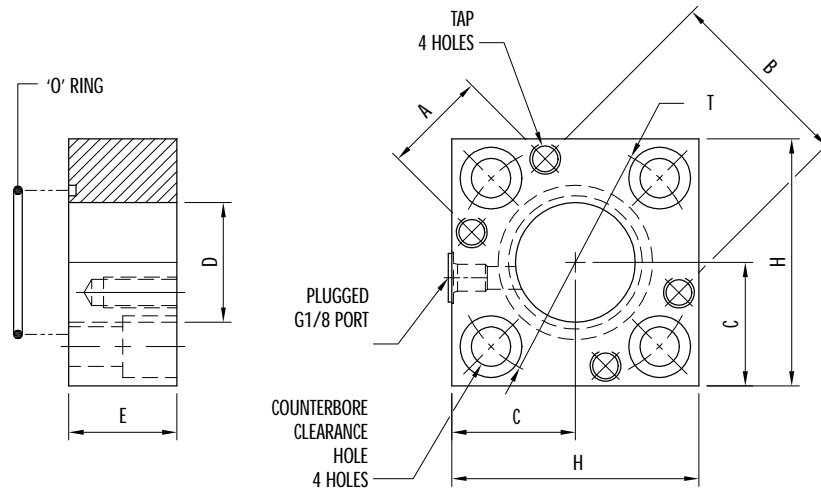
• FOR BOLT KIT - REFERENCE SECTION R

MATERIAL: CARBON STEEL, YELLOW ZINC DICHROMATE PLATED, (STAINLESS STEEL AVAILABLE)



Transition Plate - Metric

ISO 6164/6162-1 Flange Manifold Mount Style



TPOM7-34 Transition Plate (Metric) - ISO 6164/6162-1 'O' Ring Face With Countersunk Holes Complete With Nitrile 'O' Ring (Standard) and G1/8 Port (Plugged)

Size (inch)	Transition Plate Part No.	Dimensions (millimeters)							C'Tbore	Thread	'O' Ring (Nitrile) Part No.	WT. kgs./pc	Working Pressure (bar)
		A	B	C	D	E	H	T					
2 1/2"	TPOM7-34-250-*	50.8	88.9	63.5	60.5	31.8	127.0	118.1	M20	M12 x 1.75	OR*-2-232	2.47	175
3"	TPOM7-34-300-*	62.0	106.4	76.2	73.2	44.5	152.4	145.0	M24	M16 x 2.00	OR*-2-237	4.76	140

* INSERT 'V' TO INDICATE OPTIONAL VITON 'O' RING

• FOR BOLT KIT - REFERENCE SECTION R

MATERIAL: CARBON STEEL, YELLOW ZINC DICHROMATE PLATED, (STAINLESS STEEL AVAILABLE)



