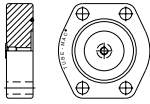
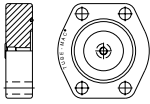
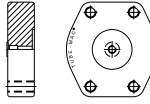
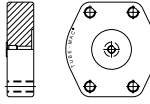
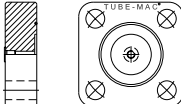
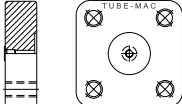


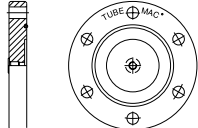
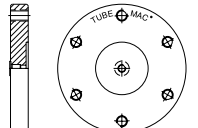
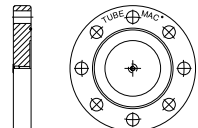
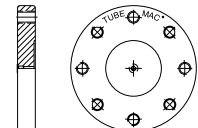




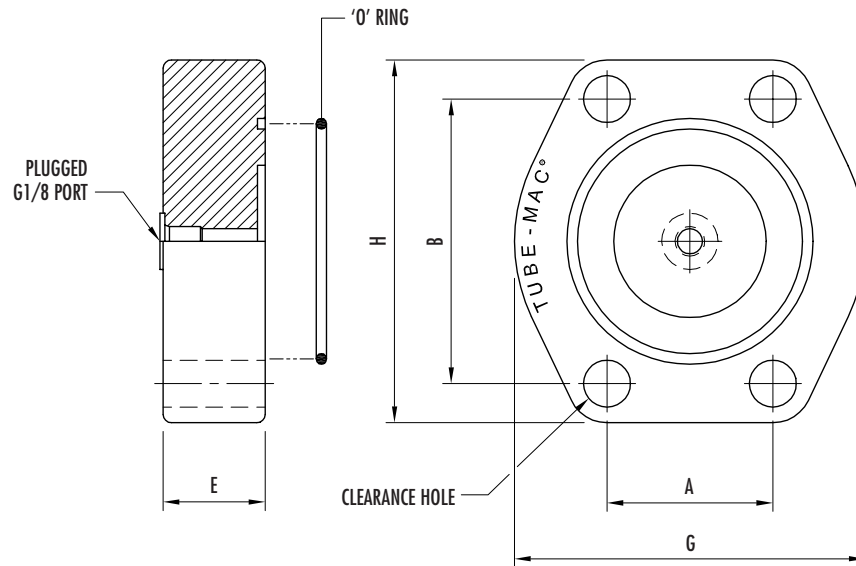
Blanking Flanges - Metric Visual Index

BLANKING FLANGES	BFOM34 ISO 6162-1 WITH 'O' RING FACE  $1\frac{1}{2}$ " - 4" Page L2	BFOM64 ISO 6162-2 WITH 'O' RING FACE  $1\frac{1}{2}$ " - 2" Page L2	BFFM34 ISO 6162-1 WITH FLAT FACE  $1\frac{1}{2}$ " - 4" Page L3	BFFM64 ISO 6162-2 WITH FLAT FACE  $1\frac{1}{2}$ " - 2" Page L3
	BFOM74 ISO 6164 WITH 'O' RING FACE  $2\frac{1}{2}$ " - 4" Page L4	BFFM74 ISO 6164 WITH FLAT FACE  $2\frac{1}{2}$ " - 4" Page L5	BFOM48 TMI® 8-BOLT WITH 'O' RING FACE  5" - 8" Page L6	BFFM48 TMI® 8-BOLT WITH FLAT FACE  5" - 8" Page L7
LOW PRESSURE BLANKING FLANGES	BFOM16 TMI® 6-BOLT WITH 'O' RING FACE  $2\frac{1}{2}$ " - 6" Page L8	BFFM16 TMI® 6-BOLT WITH FLAT FACE  $2\frac{1}{2}$ " - 6" Page L9	BFOM18 TMI® 8-BOLT WITH 'O' RING FACE  8" Page L10	BFFM18 TMI® 8-BOLT WITH FLAT FACE  8" Page L11



Blanking Flange - Metric

ISO Flanges - 'O' Ring Face



BFOM34 Blanking Flange - ISO 6162-1 'O' Ring Face With Clearance Holes

Complete With Nitrile 'O' Ring (Standard) and G1/8 Port (Plugged)

Size (inch)	Blanking Flange Part No.	Dimensions (millimeters)					Bolt Minimum 10.9	'O' Ring (Nitrile) Part No.	WT. kgs./pc	Working Pressure (bar)	Bolt Torque Nm
		A	B	G	H	E					
1/2"	BFOM34-050-*	17.5	38.1	46.0	54.9	20.6	M8 x 1.25	OR*-2-210	0.24	350	20-25
3/4"	BFOM34-075-*	22.4	47.8	52.3	65.0	20.8	M10 x 1.50	OR*-2-214	0.30	350	27-41
1"	BFOM34-100-*	26.2	52.3	58.7	70.1	22.1	M10 x 1.50	OR*-2-219	0.45	350	27-41
1 1/4"	BFOM34-125-*	30.2	58.7	73.2	79.0	23.1	M10 x 1.50	OR*-2-222	1.16	275	55-68
1 1/2"	BFOM34-150-*	35.8	69.9	82.6	93.0	26.9	M12 x 1.75	OR*-2-225	0.85	210	76-83
2"	BFOM34-200-*	42.9	77.7	96.8	102.1	31.0	M12 x 1.75	OR*-2-228	1.08	210	110-125
2 1/2"	BFOM34-250-*	50.8	88.9	108.7	114.0	35.6	M12 x 1.75	OR*-2-232	1.38	175	110-125
3"	BFOM34-300-*	62.0	106.4	131.1	134.1	42.4	M16 x 2.00	OR*-2-237	2.38	140	150-165
4"	BFOM34-400-*	77.7	130.3	130.3	162.1	38.1	M16 x 2.00	OR*-2-241	3.50	35	150-165

BFOM64 Blanking Flange - ISO 6162-2 'O' Ring Face With Clearance Holes

Complete With Nitrile 'O' Ring (Standard) and G1/8 Port (Plugged)

Size (inch)	Blanking Flange Part No.	Dimensions (millimeters)					Bolt Minimum 10.9	'O' Ring (Nitrile) Part No.	WT. kgs./pc	Working Pressure (bar)	Bolt Torque Nm
		A	B	G	H	E					
1/2"	BFOM64-050-*	18.3	40.4	47.8	56.4	20.6	M8 x 1.25	OR*-2-210	0.24	420	20-25
3/4"	BFOM64-075-*	23.9	50.8	60.5	71.4	25.9	M10 x 1.50	OR*-2-214	0.49	420	27-41
1"	BFOM64-100-*	27.7	57.2	69.9	81.0	26.2	M12 x 1.75	OR*-2-219	0.77	420	27-41
1 1/4"	BFOM64-125-*	31.8	66.8	77.7	95.3	31.8	M12 x 1.75	OR*-2-222	1.20	420	55-68
1 1/2"	BFOM64-150-*	36.6	79.5	95.3	112.8	35.1	M16 x 2.00	OR*-2-225	1.77	420	110-125
2"	BFOM64-200-*	44.5	96.8	114.3	133.4	42.7	M20 x 2.50	OR*-2-228	2.57	420	110-125

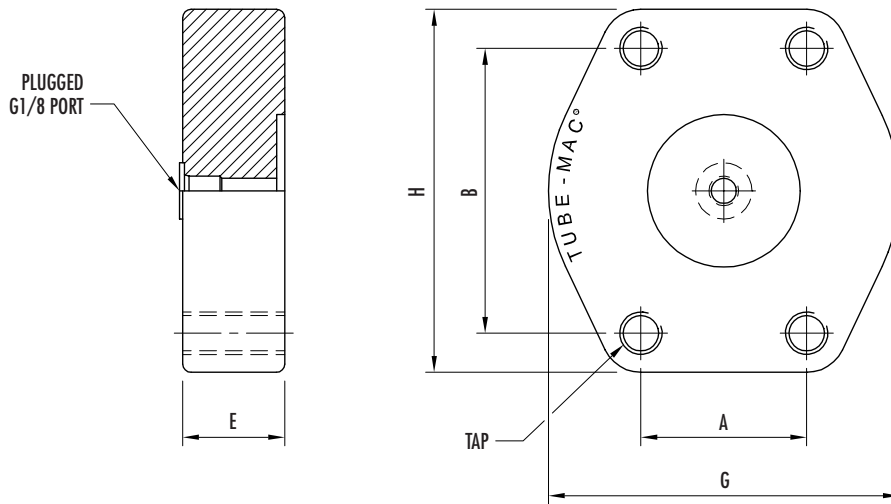
* INSERT 'V' TO INDICATE OPTIONAL VITON 'O' RINGS

• FOR BOLT KIT - REFERENCE SECTION R

MATERIAL: CARBON STEEL, YELLOW ZINC DICHROMATE PLATED, (STAINLESS STEEL AVAILABLE)

Blanking Flange - Metric

ISO Flanges - Flat Face



BFFM34 Blanking Flange - ISO 6162-1 Flat Face With Tapped Holes Complete With G1/8 Port (Plugged)

Size (inch)	Blanking Flange Part No.	Dimensions (millimeters)					Bolt Minimum 10.9	WT. kgs./pc	Working Pressure (bar)	Bolt Torque Nm
		A	B	G	H	E				
1/2"	BFFM34-050-*	17.5	38.1	46.0	54.9	20.6	M8 x 1.25	0.25	350	20-25
3/4"	BFFM34-075-*	22.4	47.8	52.3	65.0	20.8	M10 x 1.50	0.33	350	27-41
1"	BFFM34-100-*	26.2	52.3	58.7	70.1	22.1	M10 x 1.50	0.60	350	27-41
1 1/4"	BFFM34-125-*	30.2	58.7	73.2	79.0	23.1	M10 x 1.50	0.65	275	55-68
1 1/2"	BFFM34-150-*	35.8	69.9	82.6	93.0	26.9	M12 x 1.75	1.01	210	76-83
2"	BFFM34-200-*	42.9	77.7	96.8	102.1	31.0	M12 x 1.75	1.30	210	110-125
2 1/2"	BFFM34-250-*	50.8	88.9	108.7	114.0	35.6	M12 x 1.75	1.57	175	110-125
3"	BFFM34-300-*	62.0	106.4	131.1	134.1	42.4	M16 x 2.00	2.65	140	150-165
4"	BFFM34-400-*	77.7	130.3	152.4	162.1	38.1	M16 x 2.00	3.82	35	150-165

BFFM64 Blanking Flange - ISO 6162-2 Flat Face With Tapped Holes Complete With G1/8 Port (Plugged)

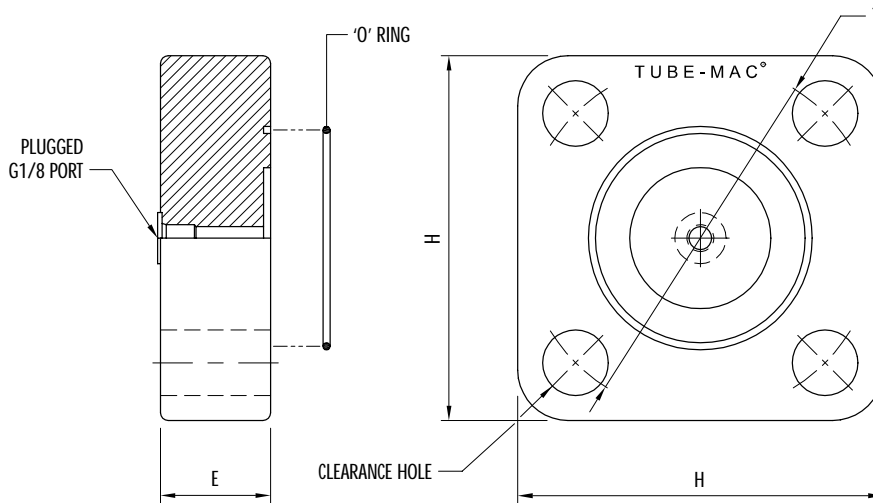
Size (inch)	Blanking Flange Part No.	Dimensions (millimeters)					Bolt Minimum 10.9	WT. kgs./pc	Working Pressure (bar)	Bolt Torque Nm
		A	B	G	H	E				
1/2"	BFFM64-050-*	18.3	40.4	47.8	56.4	20.6	M8 x 1.25	0.25	420	20-25
3/4"	BFFM64-075-*	23.9	50.8	60.5	71.4	25.9	M10 x 1.50	0.49	420	27-41
1"	BFFM64-100-*	27.7	57.2	69.9	81.0	26.2	M12 x 1.75	0.81	420	27-41
1 1/4"	BFFM64-125-*	31.8	66.8	77.7	95.3	31.8	M12 x 1.75	1.25	420	55-68
1 1/2"	BFFM64-150-*	36.6	79.5	95.3	112.8	35.1	M16 x 2.00	1.82	420	110-125
2"	BFFM64-200-*	44.5	96.8	114.3	133.4	42.7	M20 x 2.50	2.65	420	110-125

* INSERT 'V' TO INDICATE OPTIONAL VITON 'O' RING FOR G1/8 PLUG

MATERIAL: CARBON STEEL, YELLOW ZINC DICHROMATE PLATED, (STAINLESS STEEL AVAILABLE)

Blanking Flange - Metric

ISO 6164 - 'O' Ring Face



BFOM74 Blanking Flange - ISO 6164 'O' Ring Face With Clearance Holes

Complete With Nitrile 'O' Ring (Standard) and G1/8 Port (Plugged)

Size (inch)	Blanking Flange Part No.	Dimensions (mm)			Bolt Minimum 10.9	'O' Ring (Nitrile) Part No.	WT. kgs./pc	Working Pressure (bar)	Bolt Torque Nm
		T	H	E					
2 1/2"	BFOM74-250-*	118.1	119.9	37.6	M20 x 2.5	OR*-2-232	3.96	400	165-175
3"	BFOM74-300-*	145.0	150.1	43.9	M24 x 3.0	OR*-2-237	7.28	400	475-550
4"	BFOM74-400-*	175.0	177.8	50.3	M30 x 3.5	OR*-2-241	11.47	400	685-750

* INSERT 'V' TO INDICATE OPTIONAL VITON 'O' RING

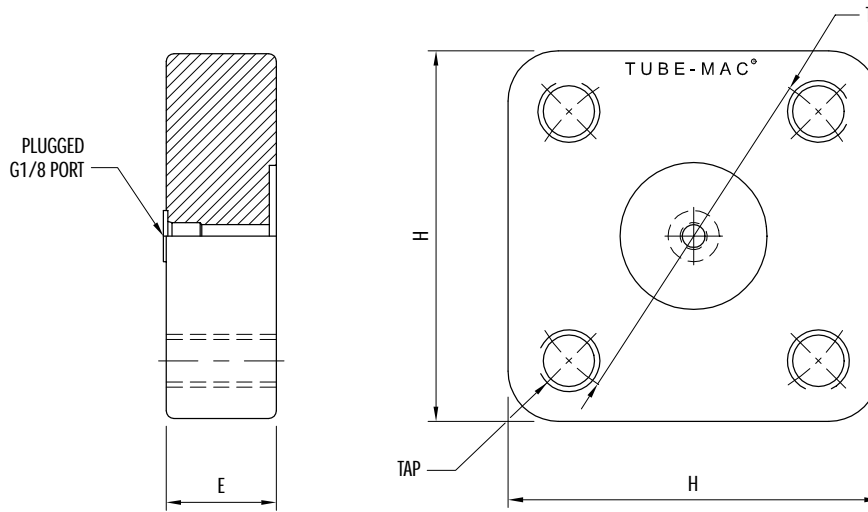
• FOR BOLT KIT - REFERENCE SECTION R

MATERIAL: CARBON STEEL, YELLOW ZINC DICHROMATE PLATED, (STAINLESS STEEL AVAILABLE)



Blanking Flange - Metric

ISO 6164 - Flat Face



BFFM74 Blanking Flange - ISO 6164 Flat Face With Tapped Holes Complete With G1/8 Port (Plugged)

Size (inch)	Blanking Flange Part No.	Dimensions (mm)			Bolt Minimum 10.9	WT. kgs./pc	Working Pressure (bar)	Bolt Torque Nm
		T	H	E				
2 1/2"	BFFM74-250-*	118.1	119.9	37.6	M20 x 2.5	3.98	400	165-175
3"	BFFM74-300-*	145.0	150.1	43.9	M24 x 3.0	7.30	400	475-550
4"	BFFM74-400-*	175.0	177.8	50.3	M30 x 3.5	11.50	400	685-750

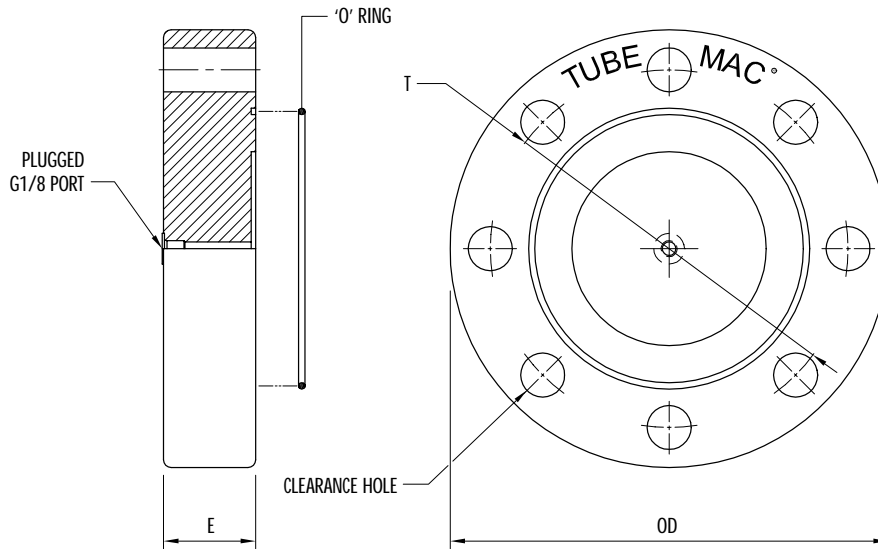
* INSERT 'V' TO INDICATE OPTIONAL VITON 'O' RING FOR G1/8 PLUG

MATERIAL: CARBON STEEL, YELLOW ZINC DICHROMATE PLATED, (STAINLESS STEEL AVAILABLE)



Blanking Flange - Metric

TMI® 8-Bolt - 'O' Ring Face



BFOM48 Blanking Flange - TMI® 8-Bolt 'O' Ring Face With Clearance Holes

Complete With Nitrile 'O' Ring (Standard) and G1/8 Port (Plugged)

Size (inch)	Blanking Flange Part No.	Dimensions (mm)			Bolt Minimum 10.9	'O' Ring (Nitrile) Part No.	WT. kgs./pc	Working Pressure (bar)	Bolt Torque Nm
		T	OD	E					
5"	BFOM48-500-*	200.2	245.1	50.8	M24 x 3.0	OR*-2-353	17.20	275	475-550
6"	BFOM48-600-*	245.1	300.0	58.7	M30 x 3.50	OR*-2-359	32.41	255	665-730
8"	BFOM48-800-*	315.0	384.3	76.2	M36 x 4.0	OR*-2-368	57.32	240	1500-1640

* INSERT 'V' TO INDICATE OPTIONAL VITON 'O' RING

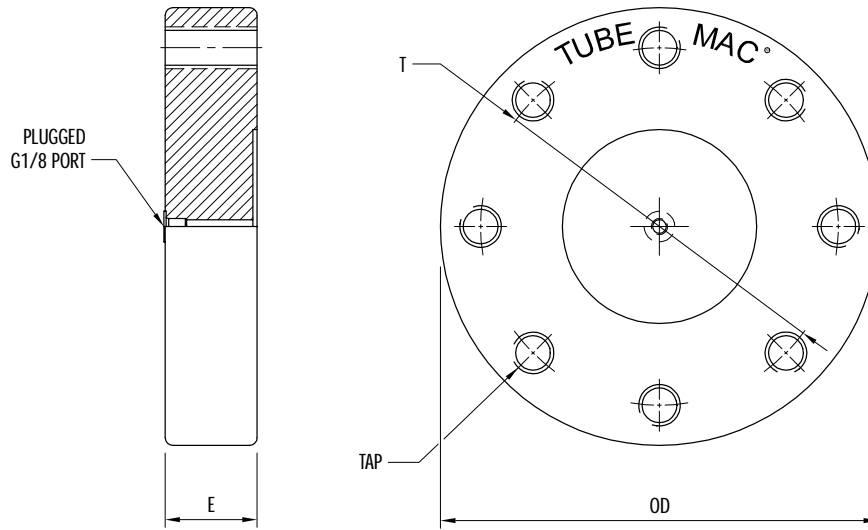
◆ FOR BOLT SIZE AND BOLT KIT - REFERENCE SECTION R

MATERIAL: CARBON STEEL, YELLOW ZINC DICHROMATE PLATED, (STAINLESS STEEL AVAILABLE)



Blanking Flange - Metric

TMI® 8-Bolt - Flat Face



BFFM48 Blanking Flange - TMI® 8-Bolt Flat Face With Tapped Holes

Complete With G1/8 Port (Plugged)

Size (inch)	Blanking Flange Part No.	Dimensions (mm)			Bolt Minimum 10.9	WT. kgs./pc	Working Pressure (bar)	Bolt Torque Nm
		T	OD	E				
5"	BFFM48-500-*	200.2	245.1	50.8	M24 x 3.0	17.32	275	475-550
6"	BFFM48-600-*	245.1	300.0	58.7	M30 x 3.50	32.82	255	665-730
8"	BFFM48-800-*	315.0	384.3	76.2	M36 x 4.0	57.91	240	1500-1640

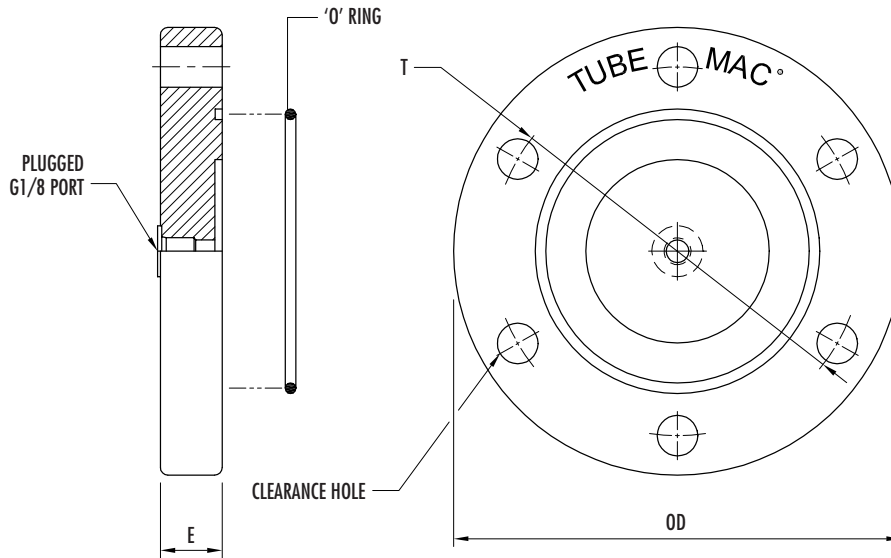
* INSERT 'V' TO INDICATE OPTIONAL VITON 'O' RING FOR G1/8 PLUG

MATERIAL: CARBON STEEL, YELLOW ZINC DICHROMATE PLATED, (STAINLESS STEEL AVAILABLE)



Low Pressure Blanking Flange - Metric

TMI® 6-Bolt - 'O' Ring Face



BFOM16 Low Pressure Blanking Flange - TMI® 6-Bolt 'O' Ring Face With Clearance Holes

Complete With Nitrile 'O' Ring (Standard) and G1/8 Port (Plugged)

Size (inch)	Blanking Flange Part No.	Dimensions (mm)			Bolt Minimum 10.9	'O' Ring (Nitrile) Part No.	WT. kgs./pc	Working Pressure (bar)	Bolt Torque Nm
		T	OD	E					
2 1/2"	BFOM16-250-*	102.4	127.0	20.3	M12 x 1.75	OR*-2-232	1.90	52	110-125
3"	BFOM16-300-*	123.2	149.9	25.4	M16 x 2.00	OR*-2-237	3.28	52	150-165
4"	BFOM16-400-*	151.6	177.8	25.4	M16 x 2.00	OR*-2-245	4.71	52	150-165
5"	BFOM16-500-*	178.1	210.1	30.2	M16 x 2.00	OR*-2-253	7.94	52	150-165
6"	BFOM16-600-*	208.0	236.0	35.1	M16 x 2.00	OR*-2-259	11.70	48	150-165

* INSERT 'V' TO INDICATE OPTIONAL VITON 'O' RING

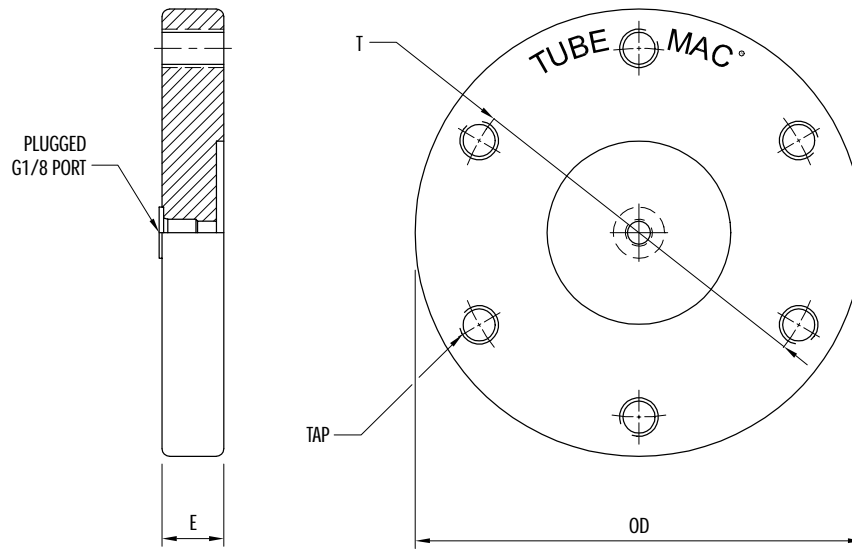
• FOR BOLT KIT - REFERENCE SECTION R

MATERIAL: CARBON STEEL, YELLOW ZINC DICHROMATE PLATED, (STAINLESS STEEL AVAILABLE)



Low Pressure Blanking Flange - Metric

TMI® 6-Bolt - Flat Face



BFFM16 Low Pressure Blanking Flange - TMI® 6-Bolt Flat Face With Tapped Holes Complete With G1/8 Port (Plugged)

Size (inch)	Blanking Flange Part No.	Dimensions (mm)			Bolt Minimum 10.9	WT. kgs./pc	Working Pressure (bar)	Bolt Torque Nm
		T	OD	E				
2 1/2"	BFFM16-250-*	102.4	127.0	20.3	M12 x 1.75	1.93	52	110-125
3"	BFFM16-300-*	123.2	149.9	25.4	M16 x 2.00	3.32	52	150-165
4"	BFFM16-400-*	151.6	177.8	25.4	M16 x 2.00	4.75	52	150-165
5"	BFFM16-500-*	178.1	210.1	30.2	M16 x 2.00	7.98	52	150-165
6"	BFFM16-600-*	208.0	236.0	35.1	M16 x 2.00	11.75	48	150-165

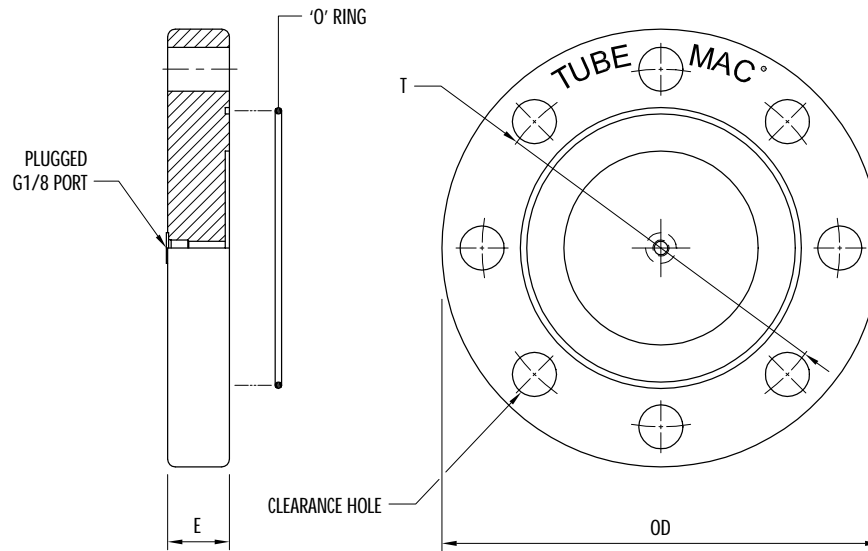
* INSERT 'V' TO INDICATE OPTIONAL VITON 'O' RING FOR G1/8 PLUG

MATERIAL: CARBON STEEL, YELLOW ZINC DICHROMATE PLATED, (STAINLESS STEEL AVAILABLE)



Low Pressure Blanking Flange - Metric

TMI® 8-Bolt - 'O' Ring Face



BFOM18 Low Pressure Blanking Flange - TMI® 8-Bolt 'O' Ring Face With Clearance Holes

Complete With Nitrile 'O' Ring (Standard) and G1/8 Port (Plugged)

Size (inch)	Blanking Flange Part No.	Dimensions (mm)			Bolt Minimum 10.9	'O' Ring (Nitrile) Part No.	WT. kgs./pc	Working Pressure (bar)	Bolt Torque Nm
		T	OD	E					
8"	BFOM18-800-*	275.1	317.0	40.1	M20 x 2.5	OR*-2-372	24.15	40	165-175

* INSERT 'V' TO INDICATE OPTIONAL VITON 'O' RING

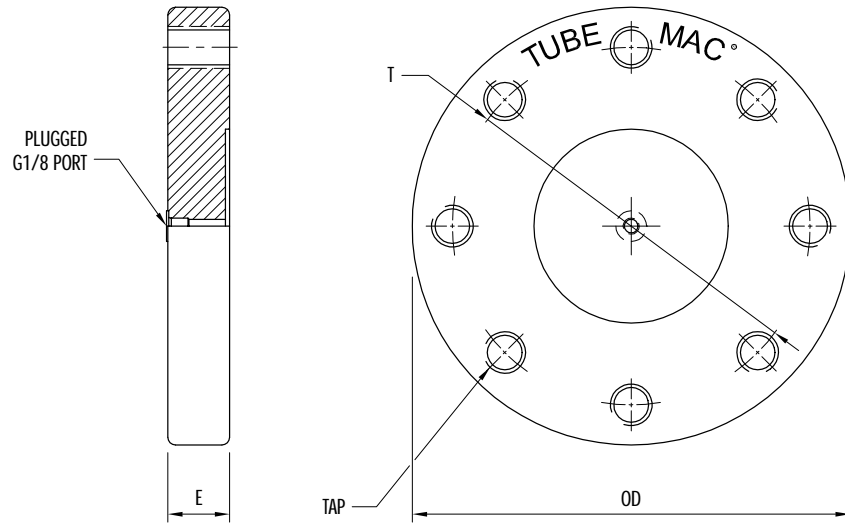
• FOR BOLT KIT - REFERENCE SECTION R

MATERIAL: CARBON STEEL, YELLOW ZINC DICHROMATE PLATED, (STAINLESS STEEL AVAILABLE)



Low Pressure Blanking Flange - Metric

TMI® 8-Bolt - Flat Face



BFFM18 Low Pressure Blanking Flange - TMI® 8-Bolt Flat Face With Tapped Holes Complete With G1/8 Port (Plugged)

Size (inch)	Blanking Flange Part No.	Dimensions (mm)			Bolt Minimum 10.9	WT. kgs./pc	Working Pressure (bar)	Bolt Torque Nm
		T	OD	E				
8"	BFFM18-800-*	275.1	317.0	40.1	M20 x 2.5	24.32	40	165-175

* INSERT 'V' TO INDICATE OPTIONAL VITON 'O' RING FOR G1/8 PLUG

MATERIAL: CARBON STEEL, YELLOW ZINC DICHROMATE PLATED, (STAINLESS STEEL AVAILABLE)



