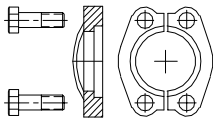
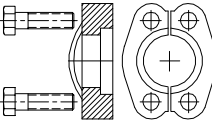
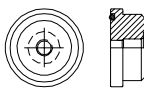
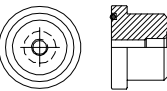




Hose Fittings - Metric Visual Index

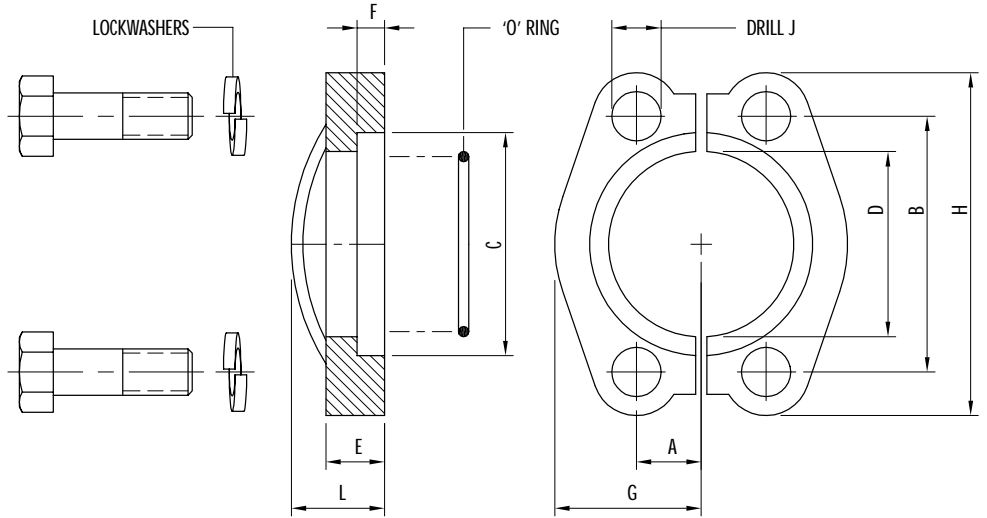
SPLIT FLANGE KITS	<p>SFKM34 ISO 6162-1</p>  <p>1/2" - 4" Page N2</p>	<p>SFKM64 ISO 6162-2</p>  <p>1/2" - 2" Page N2</p>		
SPLIT FLANGE PLUGS	<p>SFPM34 ISO 6162-1</p>  <p>1/2" - 4" Page N3</p>	<p>SFPM64 ISO 6162-2</p>  <p>1/2" - 2" Page N3</p>		



Split Flange Kits - Metric

ISO 6162

Typical Split Flange Kit



COMPLETE KIT CONSISTS OF:

- ONE (1) SPLIT FLANGE (2 HALVES)
- FOUR (4) HEX HEAD BOLTS
- FOUR (4) LOCK WASHERS
- ONE (1) NITRILE 'O' RING (STANDARD)

SFKM34 Split Flange Kit - ISO 6162-1

Size (inch)	Split Flange Kit Part No.	Dimensions (millimeters)									Drill Dia.(mm) J	HHCS Min. 10.9	'O' Ring (Nitrile) Part No.	WT. kgs./pc	Working Pressure (bar)	Bolt Torque Nm
		A	B	C	D	E	F	G	H	L						
1/2"	SFKM34-050-*	8.6	38.1	30.7	24.4	13.0	6.1	22.9	53.8	19.1	8.6	M8	OR*-2-210	0.19	350	20-25
3/4"	SFKM34-075-*	11.2	47.8	38.9	32.0	14.0	6.1	26.2	65.0	22.1	10.7	M10	OR*-2-214	0.23	350	27-41
1"	SFKM34-100-*	13.0	52.3	45.2	38.4	16.0	7.4	29.2	69.9	23.9	10.7	M10	OR*-2-219	0.30	350	27-41
1 1/4"	SFKM34-125-*	15.0	58.7	51.6	43.7	14.0	7.4	36.6	79.2	22.1	11.9	M10	OR*-2-222	0.40	275	55-68
1 1/2"	SFKM34-150-*	17.8	69.9	61.2	50.8	16.0	7.4	41.1	93.7	24.9	13.5	M12	OR*-2-225	0.65	210	76-83
2"	SFKM34-200-*	21.3	77.7	72.1	62.7	16.0	9.1	48.3	101.6	25.9	13.5	M12	OR*-2-228	0.71	210	110-125
2 1/2"	SFKM34-250-*	25.4	88.9	84.8	74.9	19.1	9.1	54.4	114.3	38.1	13.5	M12	OR*-2-232	0.97	175	110-125
3"	SFKM34-300-*	31.0	106.4	102.4	90.9	22.1	9.1	65.5	134.9	40.9	16.8	M16	OR*-2-237	1.66	140	150-165
4"	SFKM34-400-*	38.9	130.3	127.8	115.1	24.9	10.7	75.9	162.1	35.1	17.0	M16	OR*-2-245	2.01	35	150-165

SFKM64 Split Flange Kit - ISO 6162-2

Size (inch)	Split Flange Kit Part No.	Dimensions (millimeters)									Drill Dia.(mm) J	HHCS Min. 10.9	'O' Ring (Nitrile) Part No.	WT. kgs./pc	Working Pressure (bar)	Bolt Torque Nm
		A	B	C	D	E	F	G	H	L						
1/2"	SFKM64-050-*	9.1	40.4	32.5	24.6	7.4	23.9	23.9	56.4	22.1	8.6	M8	OR*-2-210	0.25	420	20-25
3/4"	SFKM64-075-*	11.9	50.8	42.2	32.5	8.4	30.2	30.2	71.4	27.9	10.9	M10	OR*-2-214	0.42	420	27-41
1"	SFKM64-100-*	14.0	57.2	48.5	38.9	9.1	34.8	34.8	81.0	33.0	13.0	M12	OR*-2-219	0.66	420	55-68
1 1/4"	SFKM64-125-*	16.0	66.8	54.9	44.5	9.9	38.9	38.9	95.3	38.1	15.0	M12	OR*-2-222	1.03	420	110-125
1 1/2"	SFKM64-150-*	18.3	79.5	64.3	51.6	12.2	47.5	47.5	112.8	42.9	17.0	M16	OR*-2-225	1.78	420	150-165
2"	SFKM64-200-*	22.4	96.8	80.3	67.6	12.2	57.2	57.2	133.4	52.1	21.1	M20	OR*-2-228	2.95	420	165-175

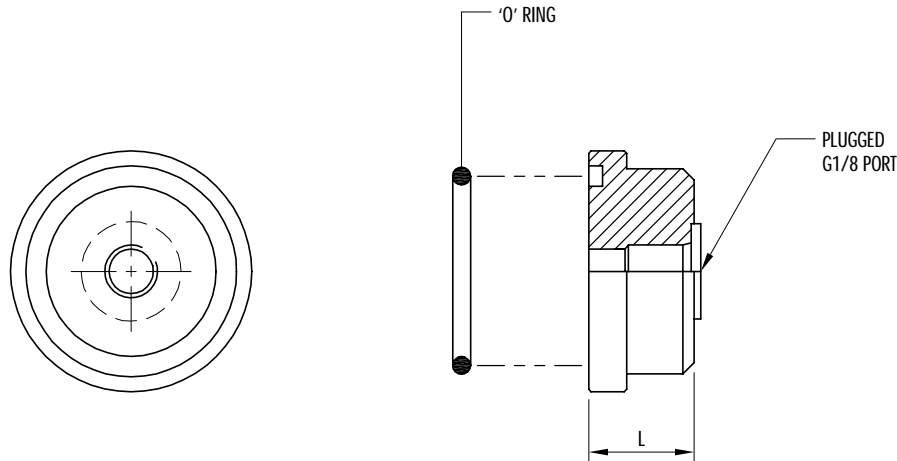
* INSERT ' V ' TO INDICATE OPTIONAL VITON 'O' RING

- SPLIT FLANGE HALVES CAN BE ORDERED SEPARATELY (DELETE THE K FROM THE PART NUMBER) i.e. SFM34-050
- FOR BOLT KIT - REFERENCE SECTION R

MATERIAL: CARBON STEEL, YELLOW ZINC DICHROMATE PLATED, (STAINLESS STEEL AVAILABLE)

Split Flange Plugs - Metric

ISO 6162



SFPM34 Split Flange Plug - ISO 6162-1 'O' Ring Face

Complete With Nitrile 'O' Ring (Standard) and G1/8 Port (Plugged)

Size (inch)	Split Flange Plug Part No.	Dimensions (mm)	'O' Ring (Nitrile) Part No.	WT. kgs./pc	Working Pressure (bar)
		L			
1/2"	SFPM34-050-*	19.1	OR*-2-210	0.05	350
3/4"	SFPM34-075-*	22.4	OR*-2-214	0.12	350
1"	SFPM34-100-*	25.4	OR*-2-219	0.19	350
1 1/4"	SFPM34-125-*	22.4	OR*-2-222	0.27	275
1 1/2"	SFPM34-150-*	25.4	OR*-2-225	0.27	210
2"	SFPM34-200-*	25.4	OR*-2-228	0.40	210
2 1/2"	SFPM34-250-*	25.4	OR*-2-232	1.31	175
3"	SFPM34-300-*	25.4	OR*-2-237	1.82	140
4"	SFPM34-400-*	25.4	OR*-2-245	2.50	35

SFPM64 Split Flange Plug - ISO 6162-2 'O' Ring Face

Complete With Nitrile 'O' Ring (Standard) and G1/8 Port (Plugged)

Size (inch)	Split Flange Plug Part No.	Dimensions (mm)	'O' Ring (Nitrile) Part No.	WT. kgs./pc	Working Pressure (bar)
		L			
1/2"	SFPM64-050-*	22.4	OR*-2-210	0.06	420
3/4"	SFPM64-075-*	28.4	OR*-2-214	0.19	420
1"	SFPM64-100-*	35.1	OR*-2-219	0.20	420
1 1/4"	SFPM64-125-*	36.6	OR*-2-222	0.44	420
1 1/2"	SFPM64-150-*	41.1	OR*-2-225	0.72	420
2"	SFPM64-200-*	38.4	OR*-2-228	1.15	420

* INSERT 'V' TO INDICATE OPTIONAL VITON 'O' RING

MATERIAL: CARBON STEEL, YELLOW ZINC DICROMATE PLATED, (STAINLESS STEEL AVAILABLE)

