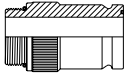
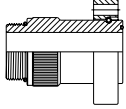
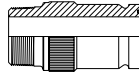
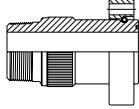
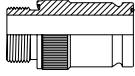
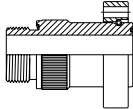
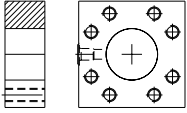
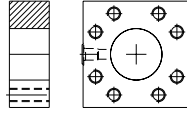
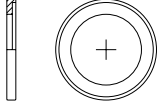




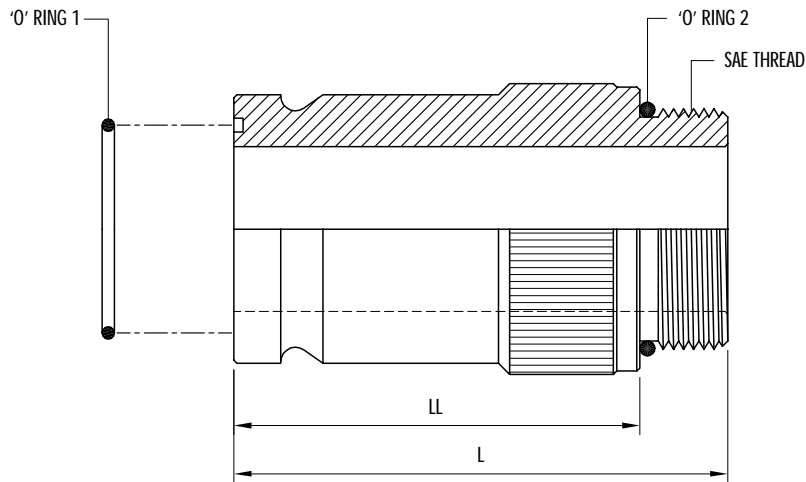
Adapters - Metric Visual Index

<p>RETAIN RING FLANGE STYLE</p>	<p>STA SAE MALE THREAD BODY ONLY</p>  <p>1/2" - 2" Page F2</p>	<p>A/STA SAE MALE THREAD ASSEMBLY</p>  <p>1/2" - 2" Page F6</p>	<p>NTA NPTF MALE THREAD BODY ONLY</p>  <p>1/2" - 2" Page F3</p>	<p>A/NTA NPTF MALE THREAD ASSEMBLY</p>  <p>1/2" - 2" Page F6</p>
<p>BTA BSPP MALE THREAD BODY ONLY</p>  <p>1/2" - 2" Page F4</p>	<p>A/BTA BSPP MALE THREAD ASSEMBLY</p>  <p>1/2" - 2" Page F6</p>			
<p>ADAPTER PLATE UNION STYLE</p>	<p>APM34 ISO 6162-1</p>  <p>1/2" - 2" Page F8</p>	<p>APM64 ISO 6162-2</p>  <p>1/2" - 2" Page F9</p>		
<p>'O' RING CONNECTOR PLATE</p>	<p>OCP CONNECTOR PLATE</p>  <p>1/2" - 2" Page F5</p>			



SAE Male Thread Adapter

Body Only



STA SAE Male Thread Adapter Body - Retain Ring Flange Style

Complete With Nitrile 'O' Rings (Standard)

Size (flange x thread)	Body Only Part No.	Dimensions (in)		Thread Size UNF/UN-2A	'O' Ring 1 (Nitrile) Part No.	'O' Ring 2 (Nitrile) Part No.	WT. kgs./pc	Working Pressure (bar)
		L	LL					
1/2"x 3/8"	STA-050x038*	78.7	66.8	9/16"-18	OR*-3-909	OR*-3-906	0.23	420
1/2"x 1/2"	STA-050x050*	80.8	66.8	3/4"-16	OR*-3-909	OR*-3-908	0.25	420
1/2"x 5/8"	STA-050x063*	82.8	66.8	7/8"-14	OR*-3-909	OR*-3-910	0.27	420
1/2"x 3/4"	STA-050x075*	85.3	66.8	1 1/16"-12	OR*-3-909	OR*-3-912	0.31	420
3/4"x 1/2"	STA-075x050*	83.8	69.9	3/4"-16	OR*-3-913	OR*-3-908	0.48	420
3/4"x 3/4"	STA-075x075*	88.1	69.9	1 1/16"-12	OR*-3-913	OR*-3-912	0.49	420
3/4"x 1"	STA-075x100*	88.1	69.9	1 5/16"-12	OR*-3-913	OR*-3-916	0.50	420
1"x 3/4"	STA-100x075*	94.5	76.2	1 1/16"-12	OR*-3-916	OR*-3-912	0.50	420
1"x 1"	STA-100x100*	94.5	76.2	1 5/16"-12	OR*-3-916	OR*-3-916	0.57	420
1"x 1 1/4"	STA-100x125*	94.5	76.2	1 5/8"-12	OR*-3-916	OR*-3-920	0.66	420
1 1/4"x 1"	STA-125x100*	100.8	82.6	1 5/16"-12	OR*-3-918	OR*-3-916	0.66	420
1 1/4"x 1 1/4"	STA-125x125*	100.8	82.6	1 5/8"-12	OR*-3-918	OR*-3-920	0.82	420
1 1/4"x 1 1/2"	STA-125x150*	100.8	82.6	1 7/8"-12	OR*-3-918	OR*-3-924	0.92	420
1 1/2"x 1 1/4"	STA-150x125*	126.2	108.0	1 5/8"-12	OR*-3-924	OR*-3-920	0.99	420
1 1/2"x 1 1/2"	STA-150x150*	126.2	108.0	1 7/8"-12	OR*-3-924	OR*-3-924	1.34	420
1 1/2" x 2"	STA-150x200*	126.2	108.0	2 1/2"-12	OR*-3-924	OR*-3-932	1.61	420
2"x 1 1/2"	STA-200x150*	126.2	108.0	1 7/8"-12	OR*-3-928	OR*-3-924	1.37	420
2"x 2"	STA-200x200*	126.2	108.0	2 1/2"-12	OR*-3-928	OR*-3-932	1.80	420

* INSERT ' V ' TO INDICATE OPTIONAL VITON 'O' RINGS

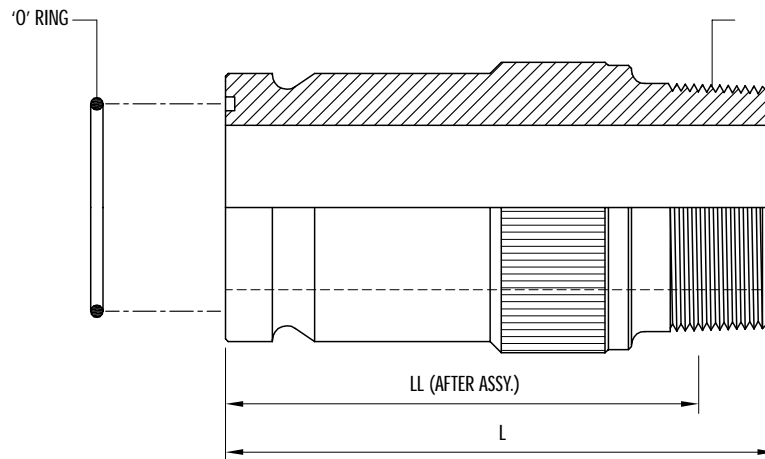
- OTHER JUMP SIZES AND LONGER LL DIMENSIONS ARE AVAILABLE UPON REQUEST
- THREADS PER SAE J1926/2 (ISO 11926-2)
- TO ORDER COMPLETE ASSEMBLY REFERENCE PAGES F6-F7

MATERIAL: CARBON STEEL, YELLOW ZINC DICHROMATE PLATED, (STAINLESS STEEL-316 AVAILABLE)

NPTF Male Thread Adapter

Body Only

NPTF THREAD



NTA NPTF Male Thread Adapter Body - Retain Ring Flange Style

Complete With Nitrile 'O' Ring (Standard)

Size (flange x thread)	Body Only Part No.	Dimensions (in)		NPTF Thread (Dryseal)	'O' Ring (Nitrile) Part No.	WT. kgs./pc	Working Pressure (bar)
		L	LL				
1/2" x 1/2"	NTA-050x050*	85.9	72.1	1/2"-14	OR*-3-909	0.25	420
1/2" x 3/4"	NTA-050x075*	85.9	72.1	3/4"-14	OR*-3-909	0.31	420
3/4" x 1/2"	NTA-075x050*	88.9	75.2	1/2"-14	OR*-3-913	0.48	420
3/4" x 3/4"	NTA-075x075*	88.9	75.2	3/4"-14	OR*-3-913	0.49	420
3/4" x 1"	NTA-075x100*	93.7	76.5	1"-11 1/2	OR*-3-913	0.50	420
1" x 3/4"	NTA-100x075*	95.3	81.5	3/4"-14	OR*-3-916	0.50	420
1" x 1"	NTA-100x100*	100.1	82.8	1"-11 1/2	OR*-3-916	0.57	420
1" x 1 1/4"	NTA-100x125*	100.8	82.8	1 1/4"-11 1/2	OR*-3-916	0.66	420
1 1/4" x 1"	NTA-125x100*	106.4	89.2	1"-11 1/2	OR*-3-918	0.65	420
1 1/4" x 1 1/4"	NTA-125x125*	107.2	89.2	1 1/4"-11 1/2	OR*-3-918	0.82	420
1 1/4" x 1 1/2"	NTA-125x150*	108.0	89.2	1 1/2"-11 1/2	OR*-3-918	0.92	420
1 1/2" x 1 1/4"	NTA-150x125*	132.6	114.6	1 1/4"-11 1/2	OR*-3-924	0.99	420
1 1/2" x 1 1/2"	NTA-150x150*	133.4	114.6	1 1/2"-11 1/2	OR*-3-924	1.34	420
1 1/2" x 2"	NTA-150x200*	134.1	114.6	2"-11 1/2	OR*-3-924	1.60	420
2" x 1 1/2"	NTA-200x150*	133.4	114.6	1 1/2"-11 1/2	OR*-3-928	1.37	420
2" x 2"	NTA-200x200*	134.1	114.6	2"-11 1/2	OR*-3-928	1.80	420

* INSERT ' V ' TO INDICATE OPTIONAL VITON 'O' RING

• OTHER JUMP SIZES AND LONGER LL DIMENSIONS ARE AVAILABLE UPON REQUEST

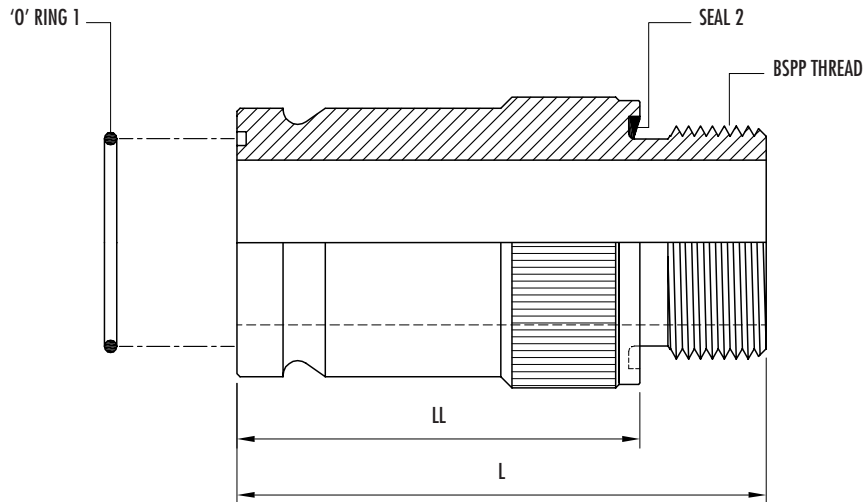
• THREADS PER ANSI-B2.1

• TO ORDER COMPLETE ASSEMBLY REFERENCE PAGES F6-F7

MATERIAL: CARBON STEEL, YELLOW ZINC DICHROMATE PLATED, (STAINLESS STEEL-316 AVAILABLE)

BSPP Male Thread Adapter

Body Only



BTA BSPP Male Thread Adapter Body - Retain Ring Flange Style

Complete With Nitrile 'O' Rings (Standard)

Size (flange x thread)	Body Only Part No.	Dimensions (mm)		Thread Size	'O' Ring 1 (Nitrile) Part No.	Seal 2 (Nitrile) Part No.	WT. kgs./pc	Working Pressure (bar)
		L	LL					
1/2" x 1/2"	BTA-050x050*	80.8	66.8	1/2"-14	OR*-3-909	DR*-G050	0.25	420
1/2" x 3/4"	BTA-050x075*	82.8	66.8	3/4"-14	OR*-3-909	DR*-G075	0.31	420
3/4" x 1/2"	BTA-075x050*	83.8	69.9	1/2"-14	OR*-3-913	DR*-G050	0.48	420
3/4" x 3/4"	BTA-075x075*	85.9	69.9	3/4"-14	OR*-3-913	DR*-G075	0.49	420
3/4" x 1"	BTA-075x100*	87.9	69.9	1"-11	OR*-3-913	DR*-G100	0.50	420
1" x 3/4"	BTA-100x075*	92.2	76.2	3/4"-14	OR*-3-916	DR*-G075	0.50	420
1" x 1"	BTA-100x100*	94.2	76.2	1"-11	OR*-3-916	DR*-G100	0.57	420
1" x 1 1/4"	BTA-100x125*	96.3	76.2	1 1/4"-11	OR*-3-916	DR*-G125	0.66	420
1 1/4" x 1"	BTA-125x100*	100.6	82.6	1"-11	OR*-3-918	DR*-G100	0.65	420
1 1/4" x 1 1/4"	BTA-125x125*	102.6	82.6	1 1/4"-11	OR*-3-918	DR*-G125	0.82	420
1 1/4" x 1 1/2"	BTA-125x150*	104.6	82.6	1 1/2"-11	OR*-3-918	DR*-G150	0.92	420
1 1/2" x 1 1/4"	BTA-150x125*	128.0	108.0	1 1/4"-11	OR*-3-924	DR*-G125	0.99	420
1 1/2" x 1 1/2"	BTA-150x150*	130.0	108.0	1 1/2"-11	OR*-3-924	DR*-G150	1.34	420
◆ 1 1/2" x 2"	BTA-150x200*	136.4	108.0	2"-11	OR*-3-924	BS*-3236	1.60	420
2" x 1 1/2"	BTA-200x150*	130.0	108.0	1 1/2"-11	OR*-3-928	DR*-G150	1.37	420
◆ 2" x 2"	BTA-200x200*	136.4	108.0	2"-11	OR*-3-928	BS*-3236	1.80	420

* INSERT ' V ' TO INDICATE OPTIONAL VITON 'O' RINGS

◆ 2" SEAL 2 CONSISTS OF A METAL BONDED LIP

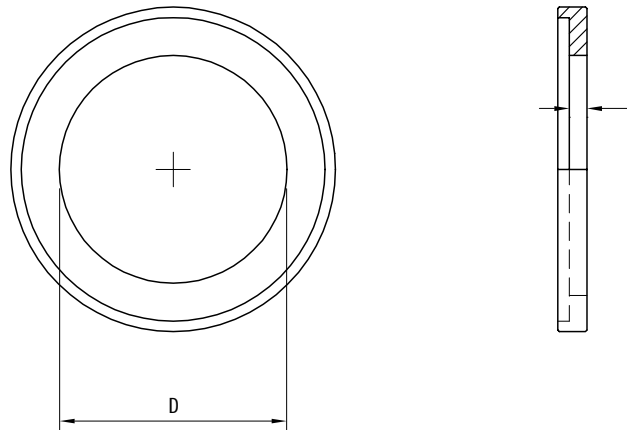
• OTHER JUMP SIZES AND LONGER LL DIMENSIONS ARE AVAILABLE UPON REQUEST

• THREADS PER ISO 1179-2

• TO ORDER COMPLETE ASSEMBLY REFERENCE PAGES F6-F7

MATERIAL: CARBON STEEL, YELLOW ZINC DICHROMATE PLATED, (STAINLESS STEEL-316 AVAILABLE)

'O' Ring Connector Plate - Metric



OCP Metric 'O' Ring Connector Plate for Retain Ring Components

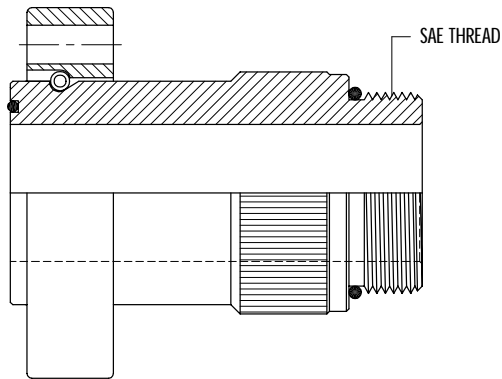
Size	Connector Plate Part No.	Dimensions (mm)		WT. kgs./pc
		D	L	
1/2"	OCP-050	12.7	3.3	0.02
3/4"	OCP-075	19.1	3.3	0.03
1"	OCP-100	23.9	3.3	0.03
1 1/4"	OCP-125	30.5	3.3	0.04
1 1/2"	OCP-150	38.1	3.3	0.05
2"	OCP-200	49.3	3.3	0.06

MATERIAL: CARBON STEEL, YELLOW ZINC DICHROMATE PLATED, (STAINLESS STEEL AVAILABLE)

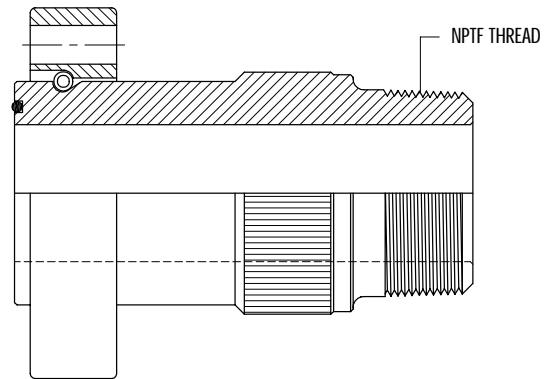
Male Thread Adapter Assemblies

Retain Ring Flange Style

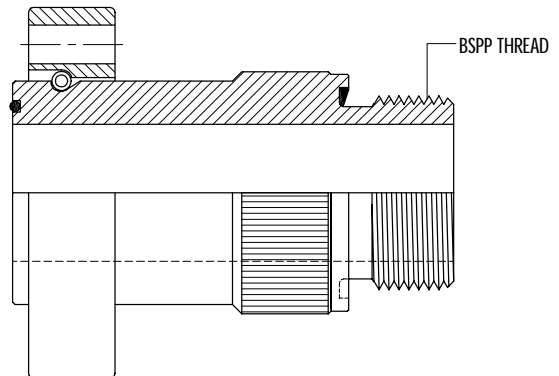
Typical A/STA Assembly



Typical A/NTA Assembly



Typical A/BTA Assembly



COMPLETE ASSEMBLY CONSISTS OF:

- ONE (1) ADAPTER BODY (REF. PAGES F2-F4)
- ONE (1) RETAIN RING FLANGE (REF. PAGES C8-C9)
- ONE (1) RETAIN RING
- NITRILE 'O' RING(S) (STANDARD)
- END SEALED WITH 6 MIL HEAT SHRINK MATERIAL

PART NO. (EXAMPLE): A/BTA - 100 - 100 - FC34



Male Thread Adapter Assembly

Complete Assembly Part Number - Retain Ring Flange Style

		Code	A	/	Body	-	Body Material	-	Flange End Size	-	Thread End Size	-	Flange	-	Options
Assembly		A													
Adapter Body Ref. pages (F2-F4)	SAE Male Thread Flange Adapter	STA													
	NPTF Male Thread Flange Adapter	NTA													
	BSPP Male Thread Flange Adapter	BTA													
Body Material Carbon Steel (Standard)	No Designation Required														
Body Material Stainless Steel (Optional) Ref. page (...)	TMP316SS	316													
Size Ref. pages (F2-F4)	1/2"	050													
	3/4"	075													
	1"	100													
	1 1/4"	125													
	1 1/2"	150													
	2"	200													
Flange Type Carbon Steel Yellow Zinc Dicromate Plated Ref. pages (C8-C9)	RFC34 ISO 6162-1 W/Clearance Holes	FC34													
	*RFTM34 ISO 6162-1 W/Tapped Holes	FTM34													
	RFC64 ISO 6162-2 W/Clearance Holes	FC64													
	*RFTM64 ISO 6162-2 W/Tapped Holes	FTM64													
Options	Viton	V													
Complete Stainless Steel Assembly: (including flanges)		SS													

* NORMALLY USED FOR CONNECTION TO SPLIT FLANGE TYPE ENDS

• FOR CONNECTION TO HOSE USE CONNECTOR PLATE OCP (TO BE ORDERED SEPARATELY) REF. PAGE F5

PART NO. (EXAMPLE): A/BTA - 100 - 100 - FC34

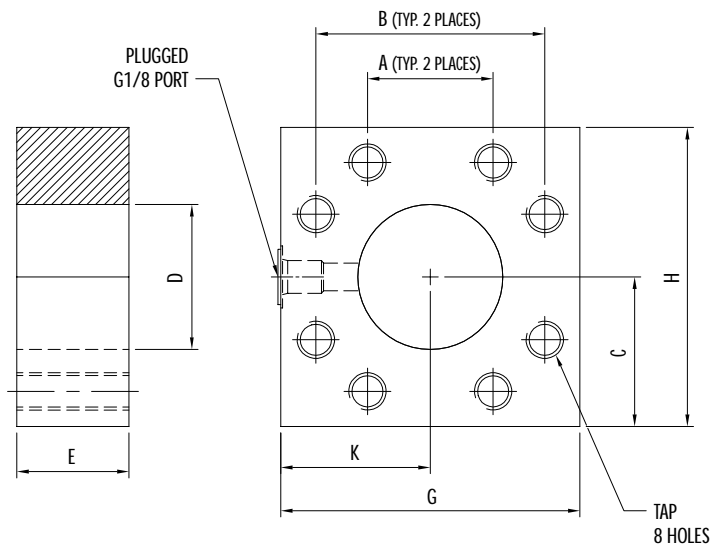
- ASSEMBLY WORKING PRESSURE RATINGS ARE SUBJECT TO THE LESSER OF THE FLANGE OR BODY RATINGS
- SEE REFERENCE PAGES INDICATED ABOVE FOR PRESSURE RATINGS
- FOR BOLT KITS - REFERENCE SECTION R





Adapter Plate - Metric

ISO 6162-2 Flange Union Style



APM64 Metric Adapter Plate - ISO 6162-2 Flat Face With Tapped Holes

Complete with G1/8 Port (Plugged)

Size (inch)	Adapter Plate Part No.	Dimensions (in)								Bolt Minimum 10.9	WT. kgs./pc	Working Pressure (bar)
		A	B	C	D	E	G	H	K			
1/2"	APM64-050-*	18.3	40.4	31.8	12.7	25.4	69.9	63.5	35.1	M8 x 1.25	0.75	420
3/4"	APM64-075-*	23.9	50.8	38.1	19.1	25.4	76.2	76.2	38.1	M10 x 1.50	1.00	420
1"	APM64-100-*	27.7	57.2	38.1	23.9	31.8	76.2	76.2	38.1	M12 x 1.75	0.95	420
1 1/4"	APM64-125-*	31.8	66.8	50.8	31.8	31.8	101.6	101.6	50.8	M12 x 1.75	2.45	420
1 1/2"	APM64-150-*	36.6	79.5	50.8	38.1	38.1	101.6	101.6	50.8	M16 x 2.00	2.31	420
2"	APM64-200-*	44.5	96.8	63.5	49.3	38.1	127.0	127.0	63.5	M20 x 2.50	3.68	420

* INSERT 'V' TO INDICATE OPTIONAL VITON 'O' RING FOR G1/8 PORT

• FOR BOLT KIT - REFERENCE SECTION R

MATERIAL: CARBON STEEL, YELLOW ZINC DICHROMATE PLATED, (STAINLESS STEEL AVAILABLE)



