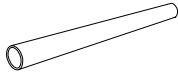
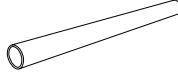
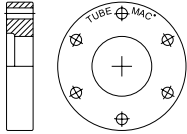
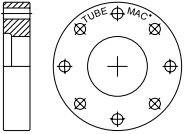
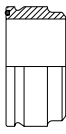

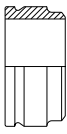
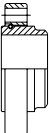
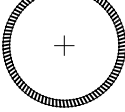
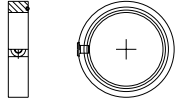
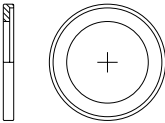
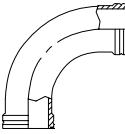
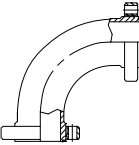
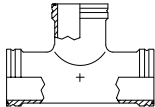
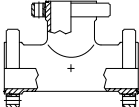
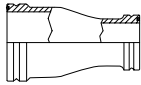
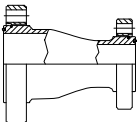
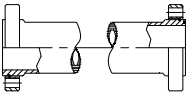
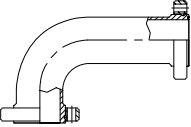


Low Pressure Retain Ring System - Visual Index



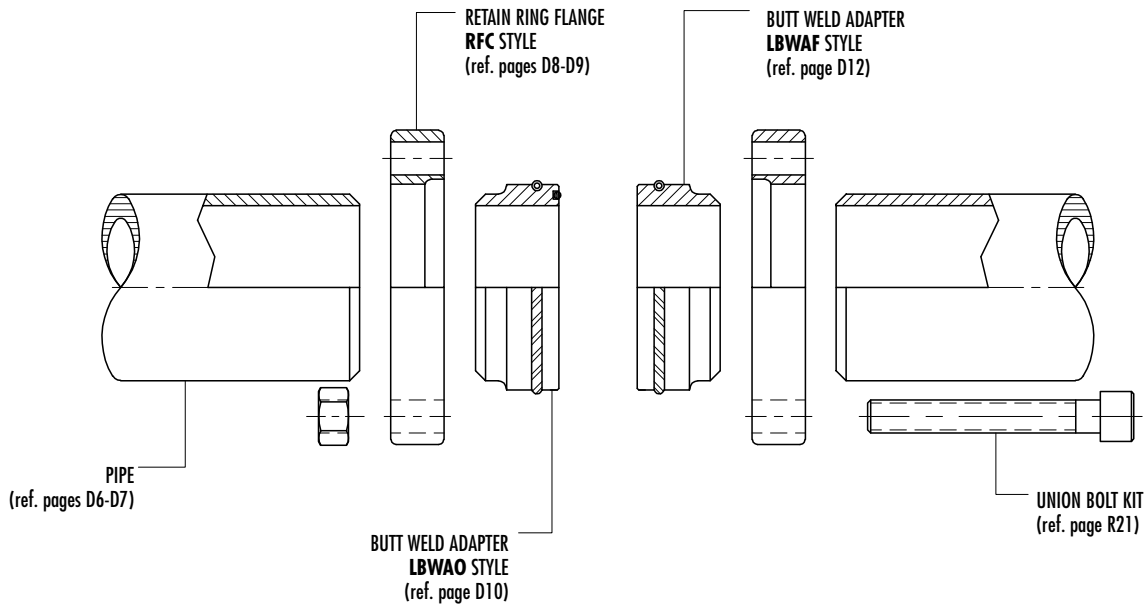
<p>PIPES</p>	<p>CARBON STEEL PIPE</p>  <p>2 1/2" - 8" Page D6</p>	<p>STAINLESS STEEL PIPE</p>  <p>2 1/2" - 8" Page D7</p>	<p>LOW PRESSURE RETAIN RING FLANGES</p>	<p>RFC16 TMI® 6-BOLT WITH CLEARANCE HOLES</p>  <p>2 1/2" - 6" Page D8</p>
<p>RFC18 TMI® 8-BOLT WITH CLEARANCE HOLES</p>  <p>8" Page D9</p>	<p>LOW PRESSURE BUTT WELD RETAIN RING ADAPTER</p>	<p>LBWAO ADAPTER-'O' RING FACE</p>  <p>2 1/2" - 8" Page D10</p>	<p>A/LBWAO ADAPTER ASSEMBLY-'O' RING FACE</p>  <p>2 1/2" - 8" Page D11</p>	<p>LBWAF ADAPTER-FLAT FACE</p>  <p>2 1/2" - 8" Page D12</p>
<p>A/LBWAF ADAPTER ASSEMBLY-FLAT FACE</p>  <p>2 1/2" - 8" Page D13</p>	<p>LOW PRESSURE RETAIN RING</p>	<p>LR</p>  <p>2 1/2" - 8" Page D14</p>	<p>LOW PRESSURE PILOT TEE</p>	<p>LPT</p>  <p>2 1/2" - 8" Page D15</p>
<p>LOW PRESSURE 'O' RING CONNECTOR PLATE</p>	<p>LOCP</p>  <p>2 1/2" - 8" Page D14</p>	<p>LOW PRESSURE RETAIN RING FLANGE ELBOW</p>	<p>LRE BODY ONLY</p>  <p>2 1/2" - 8" Page D16</p>	<p>A/LRE ASSEMBLY</p>  <p>2 1/2" - 8" Page D17</p>
<p>LOW PRESSURE RETAIN RING FLANGE TEE</p>	<p>LRT BODY ONLY</p>  <p>2 1/2" - 8" Page D18</p>	<p>A/LRT ASSEMBLY</p>  <p>2 1/2" - 8" Page D19</p>		
<p>LOW PRESSURE RETAIN RING FLANGE REDUCER</p>	<p>LRR BODY ONLY</p>  <p>2 1/2" - 8" Page D20</p>	<p>A/LRR ASSEMBLY</p>  <p>2 1/2" - 8" Page D21</p>		
<p>LOW PRESSURE RETAIN RING FLANGE PIPE ASSEMBLY</p>	<p>LPAR LOW PRESSURE PIPE ASSEMBLY</p>  <p>2 1/2" - 8" Page D22</p>	<p>LBPAP LOW PRESSURE BENT PIPE ASSEMBLY</p>  <p>2 1/2" - 8" Page D23</p>		



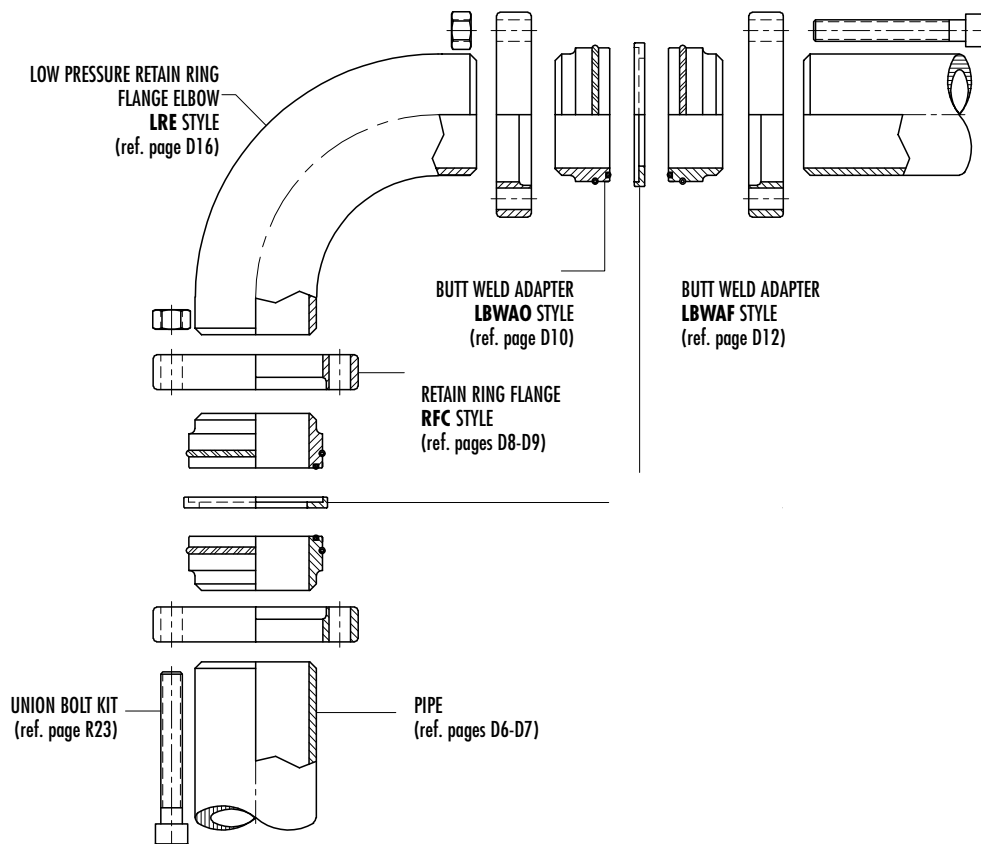
Low Pressure Retain Ring Flange Connections

Schedule 40 Pipe

Typical Pipe Union Connection



Typical Pipe to Component Connection

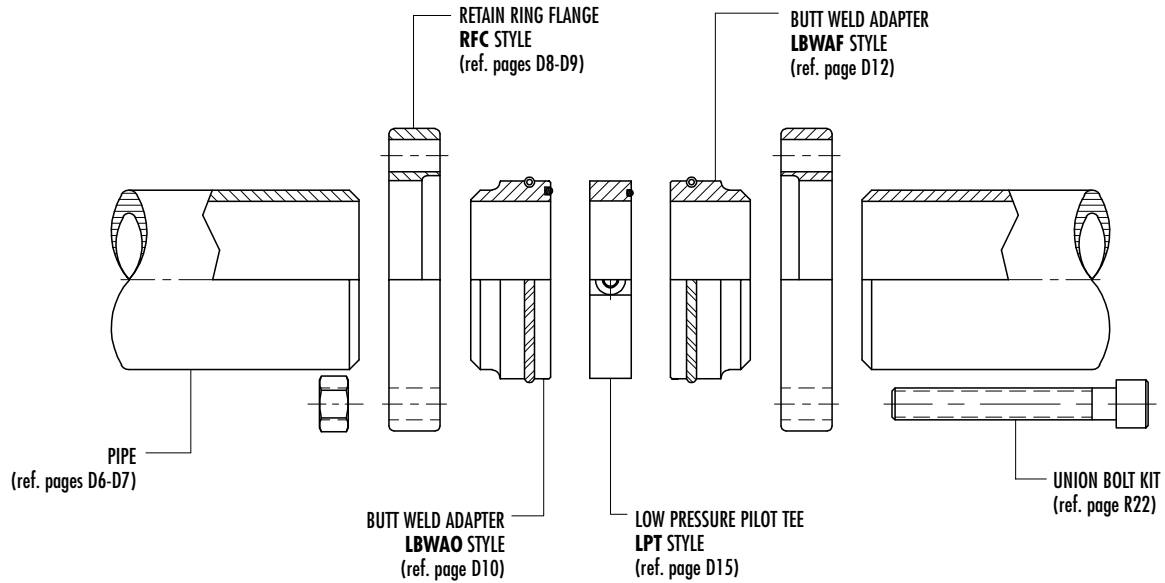




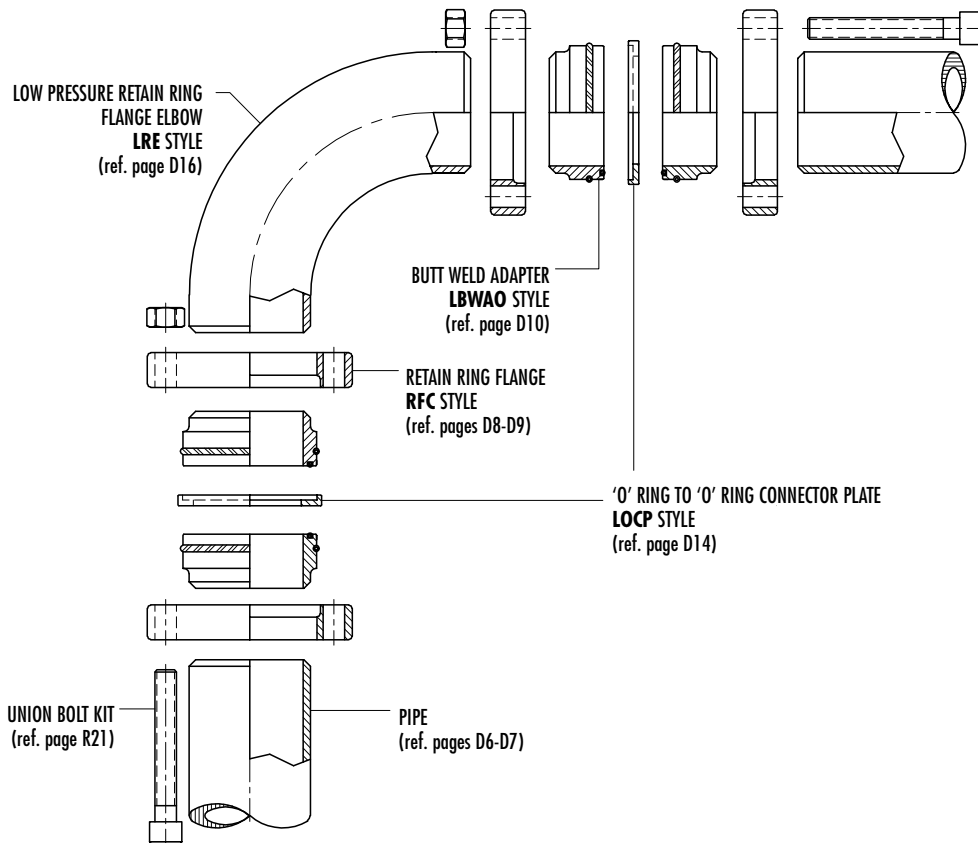
Low Pressure Retain Ring Flange Connections

Schedule 40 Pipe

Typical Pipe Union Connection with Pilot Tee



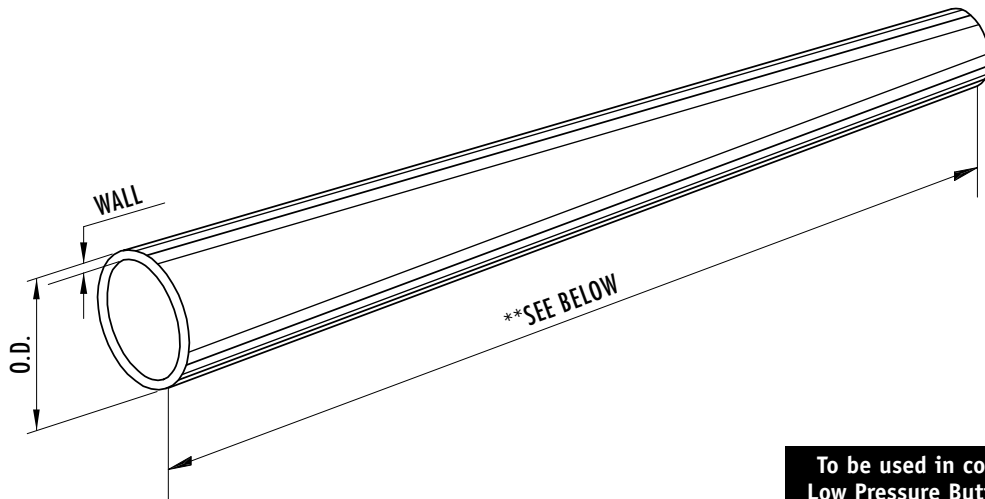
Typical 'O' Ring Face to 'O' Ring Face Connection



TMI[®] Carbon Steel Pipe

Suitable For Low Pressure Retain Ring

Schedule 40 Pipe



To be used in conjunction with
Low Pressure Butt Weld Adapters
Ref. pages D10-D13

TMP44HR

A519 - Cleaned & Phosphated Seamless Carbon Steel

Schedule 40

Nominal Size	Pipe Part No.	OD x Wall (in)	Bore Dia. (in)	WT. lbs/ft	Working Pressure PSI (bar)
2 1/2"	TMP44HR-SCH40-250x**	2.875 x 0.203	2.469	5.79	750 (52)
3"	TMP44HR-SCH40-300x**	3.500 x 0.216	3.068	7.57	750 (52)
4"	TMP44HR-SCH40-400x**	4.500 x 0.237	4.026	10.78	750 (52)
5"	TMP44HR-SCH40-500x**	5.563 x 0.258	5.047	14.60	750 (52)
6"	TMP44HR-SCH40-600x**	6.625 x 0.280	6.065	18.95	700 (48)
8"	TMP44HR-SCH40-800x**	8.625 x 0.322	7.981	28.52	600 (40)

**INDICATE LENGTH (inches), SIZES 2 1/2" & 3" AVAILABLE IN 360" LENGTHS, SIZES 4" - 8" AVAILABLE UP TO 480" LENGTHS

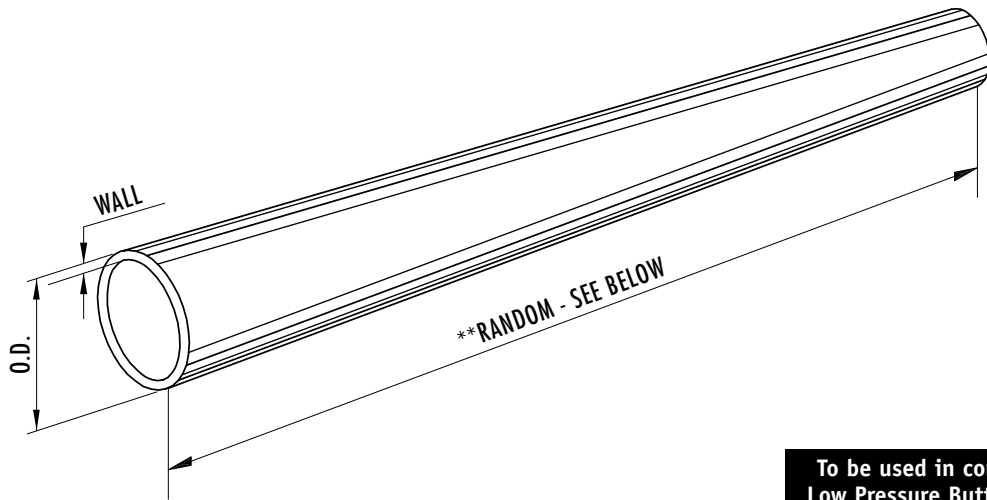
- TO ORDER A RETAIN RING FLANGE PIPE ASSEMBLY REFERENCE PAGES D22-D23
- WORKING PRESSURE RATINGS ARE PER FLANGE CONNECTION RATINGS



TMI[®] Stainless Steel Pipe

Suitable For Low Pressure Retain Ring

Schedule 40 Pipe



To be used in conjunction with
Low Pressure Butt Weld Adapters
Ref. pages D10-D13

TMP304SS/316SS

A312 - Seamless Stainless Steel (supplied as dual certification ie. 304/304L or 316/316L)

Schedule 40

Nominal Size	304/304L Stainless Steel Pipe Part No.	316/316L Stainless Steel Pipe Part No.	OD x Wall (in)	Bore Dia. (in)	WT. lbs/ft	Working Pressure PSI (bar)
2 1/2"	TMP304SS-SCH40-250x**	TMP316SS-SCH40-250x**	2.875 x 0.203	2.469	5.79	750 (52)
3"	TMP304SS-SCH40-300x**	TMP316SS-SCH40-300x**	3.500 x 0.216	3.068	7.58	750 (52)
4"	TMP304SS-SCH40-400x**	TMP316SS-SCH40-400x**	4.500 x 0.237	4.026	10.79	750 (52)
5"	TMP304SS-SCH40-500x**	TMP316SS-SCH40-500x**	5.563 x 0.258	5.047	14.62	750 (52)
6"	TMP304SS-SCH40-600x**	TMP316SS-SCH40-600x**	6.625 x 0.280	6.065	18.97	700 (48)
8"	TMP304SS-SCH40-800x**	TMP316SS-SCH40-800x**	8.625 x 0.322	7.981	28.55	600 (40)

**INDICATE LENGTH (inches), AVAILABLE IN RANDOM LENGTHS UP TO 240"

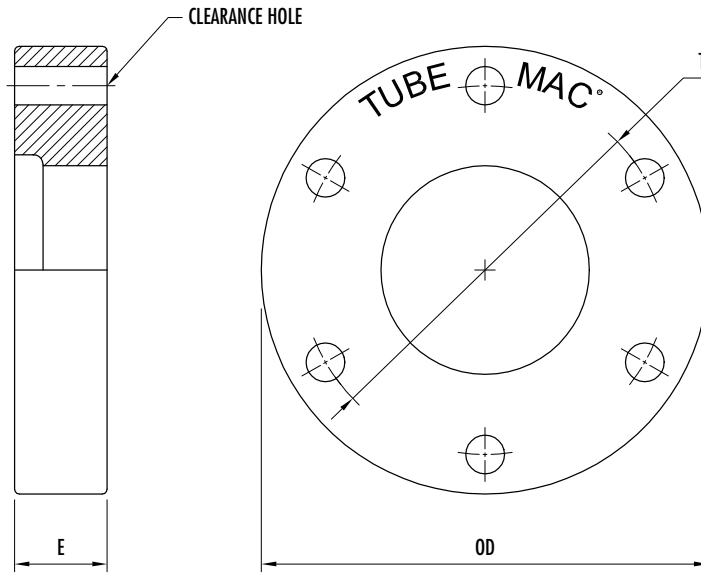
- TO ORDER A RETAIN RING FLANGE PIPE ASSEMBLY REFERENCE PAGES D22-D23
- WORKING PRESSURE RATINGS ARE PER CARBON STEEL FLANGE CONNECTION RATINGS
- FOR PIPING SYSTEMS CONSISTING OF ALL STAINLESS STEEL COMPONENTS, PRESSURE RATINGS WILL BE LESS THAN THAT SHOWN ABOVE (CONTACT FACTORY)



Low Pressure Retain Ring Flange

TMI® 6-Bolt Flanges with Clearance Holes

To be used with low pressure retain ring pipe only
Ref. pages D6-D7



RFC16 Low Pressure Retain Ring Flange - TMI® 6-Bolt With Clearance Holes

700-750 PSI (48-52 bar)

Size	Flange Part No.	Dimensions (in)			Bolt Minimum Grade 5	WT. lbs/pc	Working Pressure PSI (bar)	Bolt Torque ft.lbs.
		T	OD	E				
2 1/2"	RFC16-250	4.03	5.00	0.80	1/2" UNC	2.17	750 (52)	80-90
3"	RFC16-300	4.85	5.90	1.00	5/8" UNC	3.80	750 (52)	110-120
4"	RFC16-400	5.97	7.00	1.00	5/8" UNC	6.61	750 (52)	110-120
5"	RFC16-500	7.01	8.27	1.19	5/8" UNC	8.61	750 (52)	110-120
6"	RFC16-600	8.19	9.29	1.38	5/8" UNC	9.80	700 (48)	110-120

• FOR BOLT KITS - REFERENCE SECTION R

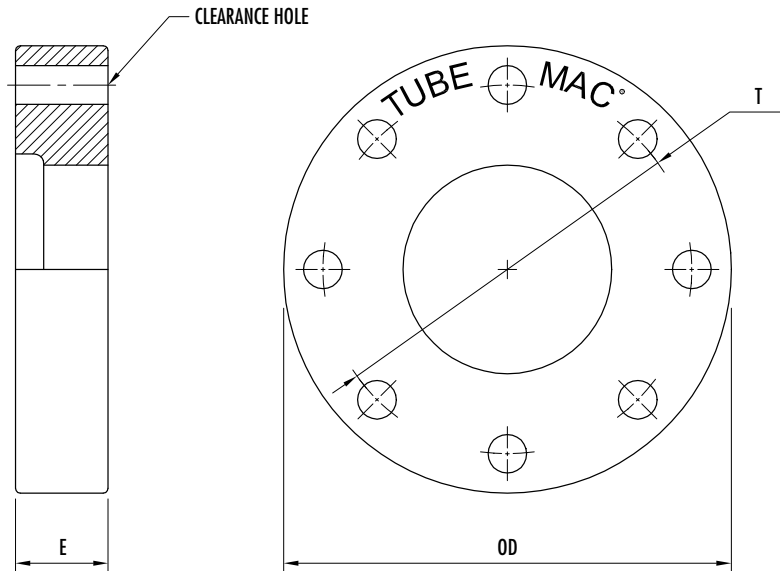
MATERIAL: CARBON STEEL, YELLOW ZINC DICHROMATE PLATED, (STAINLESS STEEL AVAILABLE)



Low Pressure Retain Ring Flange

TMI® 8-Bolt Flanges with Clearance Holes

To be used with low pressure retain ring pipe only
Ref. pages D6-D7



RFC18 Low Pressure Retain Ring Flange - TMI® 8-Bolt With Clearance Holes

600 PSI (40 bar)

Size	Flange Part No.	Dimensions (in)			Bolt Minimum Grade 5	WT. lbs/pc	Working Pressure PSI (bar)	Bolt Torque ft.lbs.
		T	OD	E				
8"	RFC18-800	10.83	12.48	1.58	3/4" UNC	19.25	600 (40)	120-130

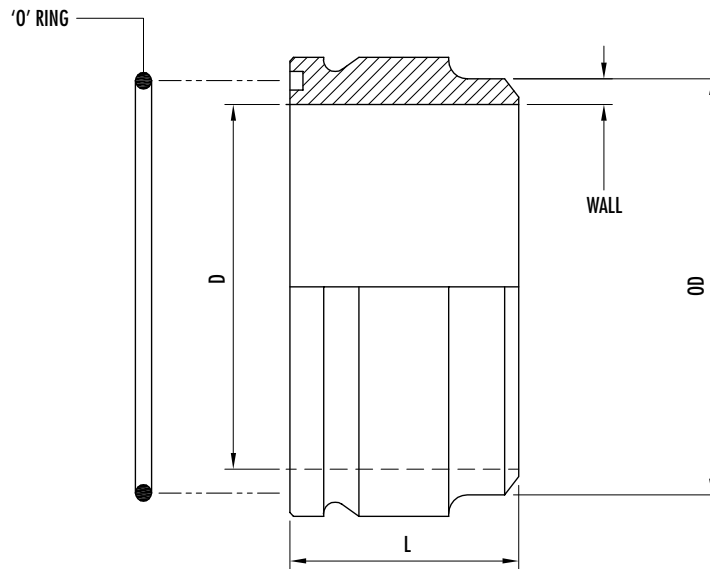
• FOR BOLT KITS - REFERENCE SECTION R

MATERIAL: CARBON STEEL, YELLOW ZINC DICHROMATE PLATED, (STAINLESS STEEL AVAILABLE)



Low Pressure Butt Weld Retain Ring Adapter Body

'O' Ring Face



LBWAO Low Pressure Butt Weld Retain Ring Adapter Body - 'O' Ring Face Complete With Buna 'O' Ring (Standard)

Schedule 40

Nominal Size	Adapter Part No.	Dimensions (in)		OD x Wall (in)	'O' Ring (Buna) Part No.	WT. lbs/pc	Working Pressure PSI (bar)
		D	L				
2 1/2"	LBWAO-SCH40-250-*	2.47	1.38	2.875 x 0.203	OR*-2-232	1.02	750 (52)
3"	LBWAO-SCH40-300-*	3.07	1.57	3.500 x 0.216	OR*-2-237	1.43	750 (52)
4"	LBWAO-SCH40-400-*	4.03	1.58	4.500 x 0.237	OR*-2-245	2.12	750 (52)
5"	LBWAO-SCH40-500-*	5.05	1.77	5.563 x 0.258	OR*-2-253	3.32	750 (52)
6"	LBWAO-SCH40-600-*	6.07	1.97	6.625 x 0.280	OR*-2-259	5.44	700 (48)
8"	LBWAO-SCH40-800-*	7.98	2.36	8.625 x 0.322	OR*-2-372	9.98	600 (40)

* INSERT ' V ' TO INDICATE OPTIONAL VITON 'O' RING

• FOR COMPLETE ASSEMBLY REFERENCE PAGE D11

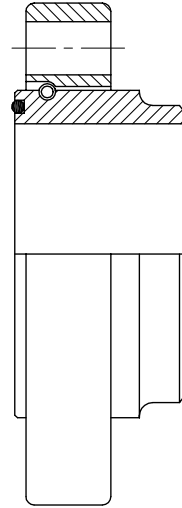
MATERIAL: CARBON STEEL, (STAINLESS STEEL STANDARD-316 AVAILABLE)



Low Pressure Butt Weld Retain Ring Adapter Assembly

'O' Ring Face

Typical A/LBWA0 Assembly:



COMPLETE ASSEMBLY CONSISTS OF:

- ONE (1) LOW PRESSURE 'O' RING FACE BUTT WELD ADAPTER
- ONE (1) LOW PRESSURE RETAIN RING FLANGE (REF. PAGES D8-D9)
- ONE (1) LOW PRESSURE RETAIN RING (REF. PAGE D14)
- ONE (1) BUNA 'O' RING (STANDARD)

A/LBWA0 Low Pressure Butt Weld Retain Ring Adapter Assembly - 'O' Ring Face Complete With Buna 'O' Ring (Standard)

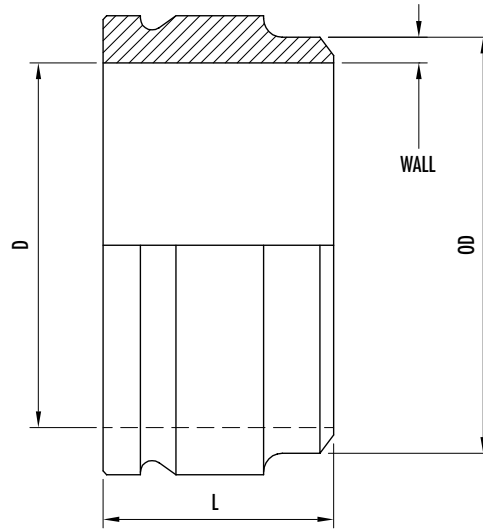
Nominal Size	Assembly Part No.	WT. lbs/pc	Working Pressure PSI (bar)
2 1/2"	A/LBWA0-250-*	3.19	750 (52)
3"	A/LBWA0-300-*	5.22	750 (52)
4"	A/LBWA0-400-*	8.73	750 (52)
5"	A/LBWA0-500-*	11.93	750 (52)
6"	A/LBWA0-600-*	15.23	700 (48)
8"	A/LBWA0-800-*	29.23	600 (40)

* INSERT ' V ' TO INDICATE OPTIONAL VITON 'O' RING

MATERIAL: CARBON STEEL, (STAINLESS STEEL STANDARD-316 AVAILABLE)

Low Pressure Butt Weld Retain Ring Adapter Body

Flat Face



LBWAF Low Pressure Butt Weld Retain Ring Adapter Body - Flat Face

Schedule 40

Nominal Size	Adapter Part No.	Dimensions (in)		OD x Wall (in)	WT. lbs/pc	Working Pressure PSI (bar)
		D	L			
2 1/2"	LBWAF-SCH40-250	2.47	1.38	2.875 x 0.203	1.07	750 (52)
3"	LBWAF-SCH40-300	3.07	1.57	3.500 x 0.216	1.48	750 (52)
4"	LBWAF-SCH40-400	4.03	1.58	4.500 x 0.237	2.14	750 (52)
5"	LBWAF-SCH40-500	5.05	1.77	5.563 x 0.258	3.36	750 (52)
6"	LBWAF-SCH40-600	6.07	1.97	6.625 x 0.280	5.49	700 (48)
8"	LBWAF-SCH40-800	7.98	2.36	8.625 x 0.322	10.55	600 (40)

• FOR COMPLETE ASSEMBLY REFERENCE PAGE D13

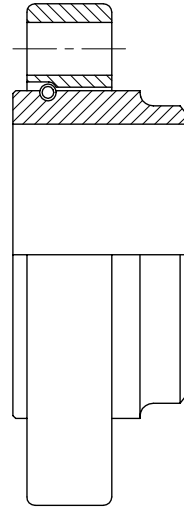
MATERIAL: CARBON STEEL, (STAINLESS STEEL STANDARD-316 AVAILABLE)



Low Pressure Butt Weld Retain Ring Adapter Assembly

Flat Face

Typical A/LBWAF Assembly:



COMPLETE ASSEMBLY CONSISTS OF:

- ONE (1) LOW PRESSURE FLAT FACE BUTT WELD ADAPTER
- ONE (1) LOW PRESSURE RETAIN RING FLANGE (REF. PAGES D8-D9)
- ONE (1) LOW PRESSURE RETAIN RING (REF. PAGE D14)

A/LBWAF Low Pressure Butt Weld Retain Ring Adapter Assembly - Flat Face

Nominal Size	Assembly Part No.	WT. lbs/pc	Working Pressure PSI (bar)
2 1/2"	A/LBWAF-250	3.24	750 (52)
3"	A/LBWAF-300	5.27	750 (52)
4"	A/LBWAF-400	8.75	750 (52)
5"	A/LBWAF-500	11.97	750 (52)
6"	A/LBWAF-600	15.29	700 (48)
8"	A/LBWAF-800	29.80	600 (40)

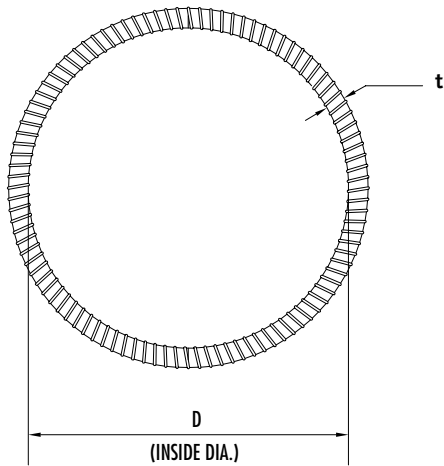
MATERIAL: CARBON STEEL, (STAINLESS STEEL STANDARD-316 AVAILABLE)



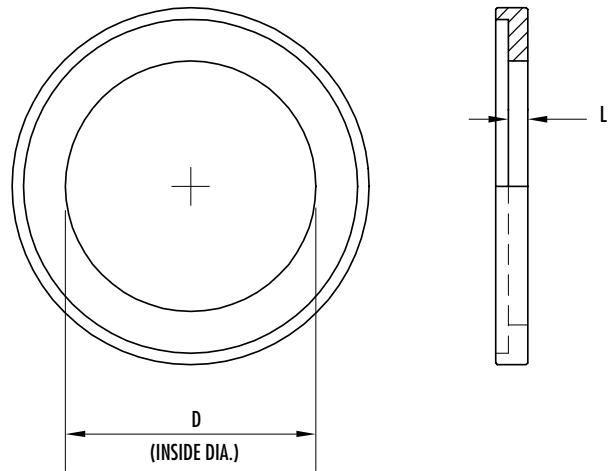
Low Pressure Retain Ring

Low Pressure 'O' Ring Connector Plate

LR Low Pressure Retain Ring



LOCP Low Pressure 'O' Ring Connector Plate



LR Low Pressure Retain Ring

Size	Retain Ring Part No.	Dimensions (in)		WT. lbs/pc
		D	t	
2 1/2"	LR-250	2.99	0.16	0.04
3"	LR-300	3.62	0.20	0.09
4"	LR-400	4.68	0.20	0.11
5"	LR-500	5.62	0.24	0.19
6"	LR-600	6.81	0.24	0.21
8"	LR-800	9.09	0.31	0.59

MATERIAL: STAINLESS STEEL - AISI 302/304 SPRING TEMPER

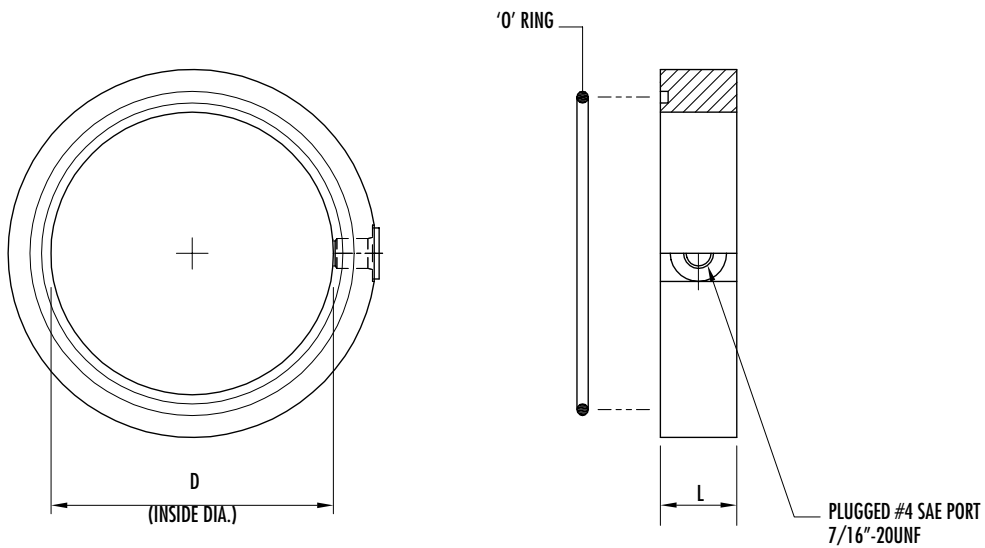
LOCP Low Pressure 'O' Ring Connector Plate

Size	Connector Plate Part No.	Dimensions (in)		WT. lbs/pc
		D	L	
2 1/2"	LOCP-250	2.47	0.13	0.15
3"	LOCP-300	3.07	0.13	0.21
4"	LOCP-400	4.03	0.13	0.32
5"	LOCP-500	5.05	0.19	0.58
6"	LOCP-600	6.07	0.19	0.79
8"	LOCP-800	7.98	0.19	1.35

MATERIAL: CARBON STEEL, YELLOW ZINC DICHROMATE PLATED, (STAINLESS STEEL AVAILABLE)



Low Pressure Pilot Tee



LPT Low Pressure Pilot Tee Between
 Complete with Buna 'O' Ring (Standard) and #4 SAE Port (Plugged)

Size	Pilot Tee Part No.	Dimensions (in)		'O' Ring (Buna) Part No.	WT. lbs/pc
		D	L		
2 1/2"	LPT-250-*	2.38	1.00	OR*-2-232	1.47
3"	LPT-300-*	3.00	1.00	OR*-2-237	1.92
4"	LPT-400-*	4.00	1.00	OR*-2-245	2.69
5"	LPT-500-*	4.88	1.00	OR*-2-253	3.54
6"	LPT-600-*	5.91	1.00	OR*-2-259	4.08
8"	LPT-800-*	7.88	1.25	OR*-2-372	10.55

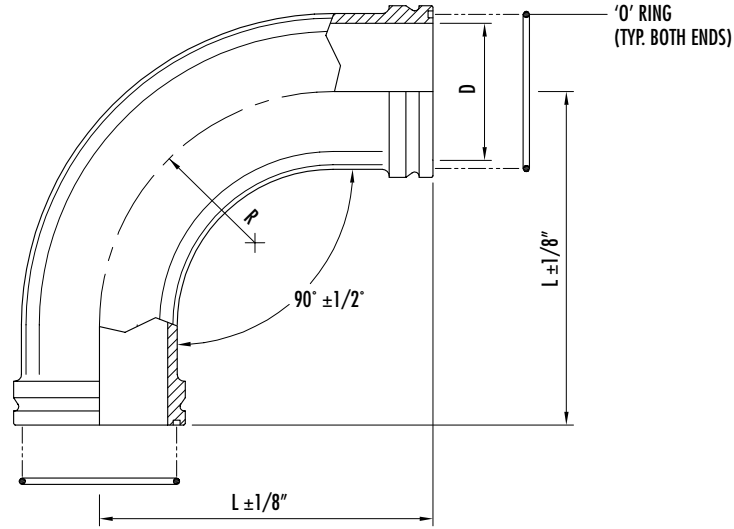
* INSERT ' V ' TO INDICATE OPTIONAL VITON 'O' RING

MATERIAL: CARBON STEEL, YELLOW ZINC DICHROMATE PLATED, (STAINLESS STEEL AVAILABLE)



Low Pressure Retain Ring Flange Elbow

Body Only



LRE Low Pressure Retain Ring Flange Elbow - Body Only (segmentally welded)
Complete with Buna 'O' Rings (Standard)

Size	Elbow Body Part No.	Dimensions (in)			'O' Ring (Buna) Part No.	WT. lbs/pc	Working Pressure PSI (bar)
		L	R	D			
2 1/2"	LRE-250-*	5.22	3.75	2.47	OR*-2-232	5.29	750 (52)
3"	LRE-300-*	6.17	4.50	3.07	OR*-2-237	7.85	750 (52)
4"	LRE-400-*	7.67	6.00	4.03	OR*-2-245	13.24	750 (52)
5"	LRE-500-*	9.36	7.50	5.05	OR*-2-253	22.14	750 (52)
6"	LRE-600-*	11.06	9.00	6.07	OR*-2-259	35.37	700 (48)
8"	LRE-800-*	14.45	12.00	7.98	OR*-2-372	69.95	600 (40)

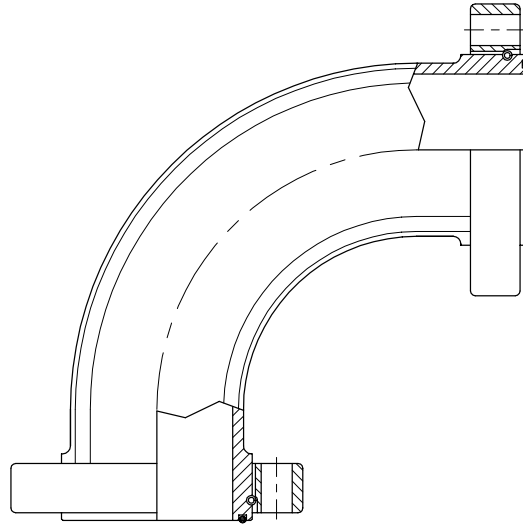
- * INSERT ' V ' TO INDICATE OPTIONAL VITON 'O' RINGS
 - TO ORDER COMPLETE ASSEMBLY REFERENCE PAGE D17
 - ELBOW BODY INCLUDES BUTT WELD ADAPTERS (REF. PAGES D10-D13)
- MATERIAL:** CARBON STEEL, (STAINLESS STEEL AVAILABLE)

Low Pressure Retain Ring Flange Elbow Assembly

Complete Assembly Part Number



Typical A/LRE Assembly



COMPLETE ASSEMBLY CONSISTS OF:

- ONE (1) LOW PRESSURE RETAIN RING FLANGE ELBOW BODY
- TWO (2) LOW PRESSURE RETAIN RING FLANGES (REF. PAGES D8-D9)
- TWO (2) LOW PRESSURE RETAIN RINGS
- TWO (2) BUNA 'O' RINGS (STANDARD)
- ENDS SEALED WITH 6 MIL HEAT SHRINK MATERIAL (2 1/2" & 3")
- ENDS SEALED WITH POSITIVE CLOSURE (4"-8")

A/LRE Low Pressure Retain Ring Flange Elbow Assembly

Size	Assembly Part No.	WT. (Assembly) lbs/pc	Working Pressure PSI (bar)
2 1/2"	A/LRE-250-*	9.62	750 (52)
3"	A/LRE-300-*	11.65	750 (52)
4"	A/LRE-400-*	19.85	750 (52)
5"	A/LRE-500-*	30.75	750 (52)
6"	A/LRE-600-*	45.17	700 (48)
8"	A/LRE-800-*	89.20	600 (40)

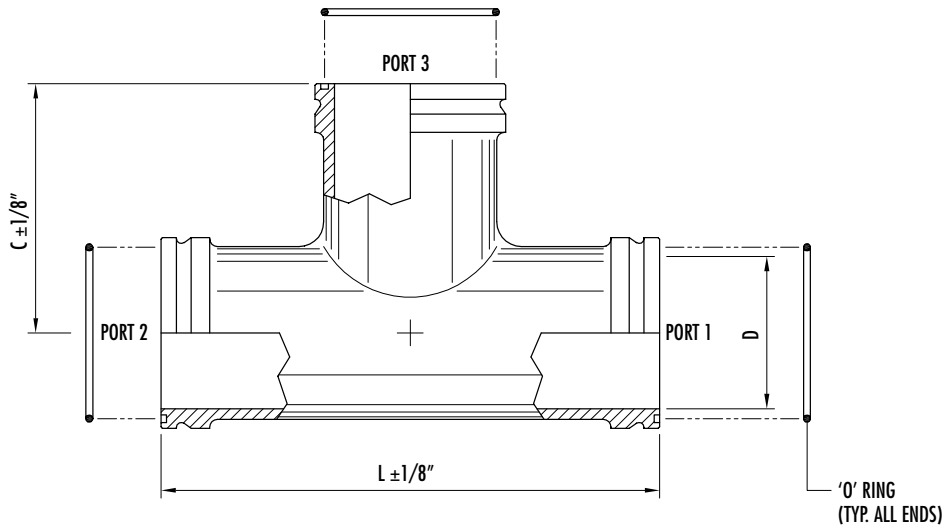
* INSERT ' V ' TO INDICATE OPTIONAL VITON 'O' RINGS

MATERIAL: CARBON STEEL, (STAINLESS STEEL AVAILABLE)



Low Pressure Retain Ring Flange Tee

Body Only



LRT Low Pressure Retain Ring Flange Tee - Body Only (segmentally welded)
Complete with Buna 'O' Rings (Standard)

Size	Tee Body Part No.	Dimensions (in)			'O' Ring (Buna) Part No.	WT. lbs/pc	Working Pressure PSI (bar)
		L	C	D			
2 1/2"	LRT-250-*	8.95	4.47	2.47	OR*-2-232	9.06	750 (52)
3"	LRT-300-*	10.10	5.05	3.07	OR*-2-237	11.28	750 (52)
4"	LRT-400-*	11.60	5.80	4.03	OR*-2-245	18.63	750 (52)
5"	LRT-500-*	13.48	6.74	5.05	OR*-2-253	30.96	750 (52)
6"	LRT-600-*	15.38	7.69	6.07	OR*-2-259	50.31	700 (48)
8"	LRT-800-*	18.91	9.45	7.98	OR*-2-372	84.93	600 (40)

- * INSERT ' V ' TO INDICATE OPTIONAL VITON 'O' RINGS
- TO ORDER COMPLETE ASSEMBLY REFERENCE PAGE D19
- TEE BODY INCLUDES BUTT WELD ADAPTERS (REF. PAGES D10-D13)

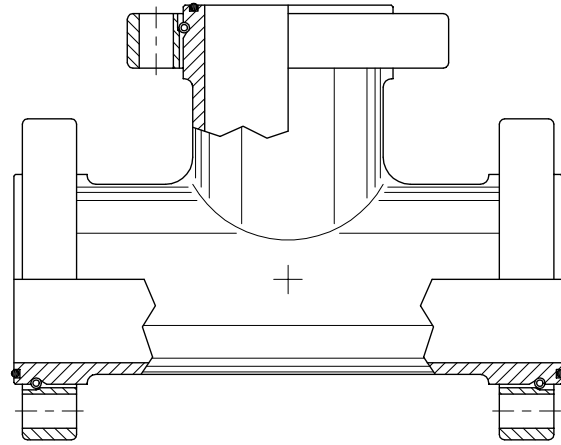
MATERIAL: CARBON STEEL, (STAINLESS STEEL AVAILABLE)



Low Pressure Retain Ring Flange Tee Assembly

Complete Assembly Part Number

Typical A/LRT Assembly



COMPLETE ASSEMBLY CONSISTS OF:

- ONE (1) LOW PRESSURE RETAIN RING FLANGE TEE BODY
- THREE (3) LOW PRESSURE RETAIN RING FLANGES (REF. PAGES D8-D9)
- THREE (3) LOW PRESSURE RETAIN RINGS
- THREE (3) BUNA 'O' RINGS (STANDARD)
- ENDS SEALED WITH 6 MIL HEAT SHRINK MATERIAL (2 1/2" & 3")
- ENDS SEALED WITH POSITIVE CLOSURE (4"-8")

A/LRT Low Pressure Retain Ring Flange Tee Assembly

Size	Assembly Part No.	WT. (Assembly) lbs/pc	Working Pressure PSI (bar)
2 1/2"	A/LRT-250-*	15.56	750 (52)
3"	A/LRT-300-*	22.66	750 (52)
4"	A/LRT-400-*	38.46	750 (52)
5"	A/LRT-500-*	56.78	750 (52)
6"	A/LRT-600-*	79.70	700 (48)
8"	A/LRT-800-*	142.68	600 (40)

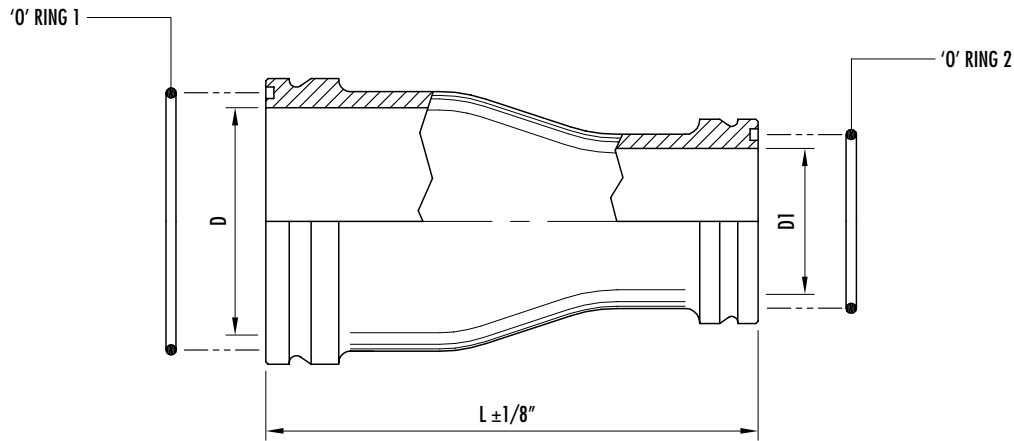
* INSERT ' V ' TO INDICATE OPTIONAL VITON 'O' RINGS

MATERIAL: CARBON STEEL, (STAINLESS STEEL AVAILABLE)



Low Pressure Retain Ring Flange Reducer

Concentric Style - Body Only



LRR Low Pressure Retain Ring Flange Reducer - Body Only (segmentally welded)
Complete with Buna 'O' Rings (Standard)

Size	Reducer Body Part No.	Dimensions (in)			'O' Ring 1 (Buna) Part No.	'O' Ring 2 (Buna) Part No.	WT. lbs/pc	Working Pressure PSI (bar)
		L	D	D1				
3" x 2 1/2"	LRR-300 x 250-*	6.64	3.07	2.47	OR*-2-237	OR*-2-232	4.45	750 (52)
4" x 2 1/2"	LRR-400 x 250-*	7.14	4.03	2.47	OR*-2-245	OR*-2-232	6.39	750 (52)
4" x 3"	LRR-400 x 300-*	7.35	4.03	3.07	OR*-2-245	OR*-2-237	6.93	750 (52)
5" x 3"	LRR-500 x 300-*	8.54	5.05	3.07	OR*-2-253	OR*-2-237	10.25	750 (52)
5" x 4"	LRR-500 x 400-*	8.54	5.05	4.03	OR*-2-253	OR*-2-245	11.44	750 (52)
6" x 4"	LRR-600 x 400-*	9.24	6.07	4.03	OR*-2-259	OR*-2-245	15.81	700 (48)
6" x 5"	LRR-600 x 500-*	9.43	6.07	5.05	OR*-2-259	OR*-2-253	17.26	700 (48)
8" x 5"	LRR-800 x 500-*	10.32	7.98	5.05	OR*-2-372	OR*-2-253	25.30	600 (40)
8" x 6"	LRR-800 x 600-*	10.52	7.98	6.07	OR*-2-372	OR*-2-259	28.66	600 (40)

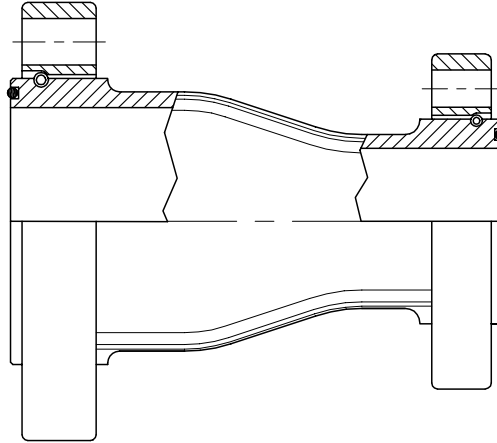
- * INSERT ' V ' TO INDICATE OPTIONAL VITON 'O' RINGS
 - TO ORDER COMPLETE ASSEMBLY REFERENCE PAGE D21
 - REDUCER BODY INCLUDES BUTT WELD ADAPTERS (REF. PAGES D10-D13)
- MATERIAL:** CARBON STEEL, (STAINLESS STEEL AVAILABLE)



Low Pressure Retain Ring Flange Reducer Assembly

Complete Assembly Part Number

Typical A/LRR Assembly



COMPLETE ASSEMBLY CONSISTS OF:

- ONE (1) LOW PRESSURE RETAIN RING FLANGE REDUCER BODY
- TWO (2) LOW PRESSURE RETAIN RING FLANGES (REF. PAGES D8-D9)
- TWO (2) LOW PRESSURE RETAIN RINGS
- TWO (2) BUNA 'O' RINGS (STANDARD)
- ENDS SEALED WITH 6 MIL HEAT SHRINK MATERIAL (2 1/2" & 3")
- ENDS SEALED WITH POSITIVE CLOSURE (4"-8")

A/LRR Low Pressure Retain Ring Flange Reducer Assembly

Size	Assembly Part No.	WT. (Assembly) lbs/pc	Working Pressure PSI (bar)
3" x 2 1/2"	A/LRR-300 x 250-*	10.41	750 (52)
4" x 2 1/2"	A/LRR-400 x 250-*	13.23	750 (52)
4" x 3"	A/LRR-400 x 300-*	17.34	750 (52)
5" x 3"	A/LRR-500 x 300-*	22.65	750 (52)
5" x 4"	A/LRR-500 x 400-*	26.66	750 (52)
6" x 4"	A/LRR-600 x 400-*	32.22	700 (48)
6" x 5"	A/LRR-600 x 500-*	35.66	700 (48)
8" x 5"	A/LRR-800 x 500-*	53.16	600 (40)
8" x 6"	A/LRR-800 x 600-*	57.71	600 (40)

* INSERT ' V ' TO INDICATE OPTIONAL VITON 'O' RINGS

MATERIAL: CARBON STEEL, (STAINLESS STEEL AVAILABLE)



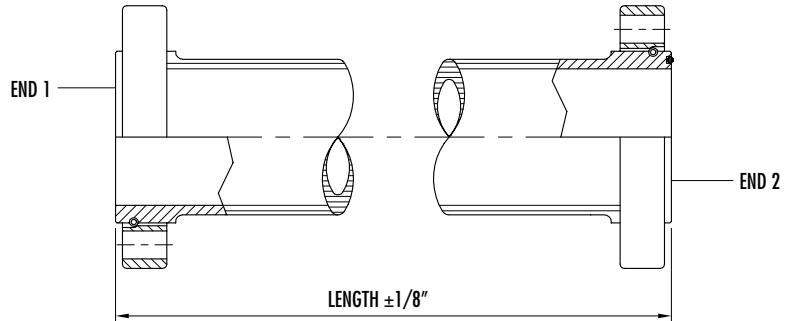
Low Pressure Retain Ring Flange Pipe Assembly

Complete Assembly Part Number

Typical LPAR Assembly

COMPLETE ASSEMBLY CONSISTS OF:

- ONE (1) LENGTH OF CLEAN PIPE (REF. PAGES D6-D7)
- TWO (2) LOW PRESSURE BUTT WELD ADAPTERS (SEGMENTALLY WELDED)
- TWO (2) LOW PRESSURE RETAIN RING FLANGES (REF. PAGES D8-D9)
- TWO (2) LOW PRESSURE RETAIN RINGS
- BUNA 'O' RING(S) (STANDARD)
- ENDS SEALED WITH 6 MIL HEAT SHRINK MATERIAL (2 1/2" & 3")
- ENDS SEALED WITH POSITIVE CLOSURE (4"-8")



Code		LPAR /	Pipe Material	Pipe Size & Schedule	End 1	End 2	Length	Options
Low Pressure Pipe Assembly		LPAR						
Pipe Material Carbon Steel (Standard) Ref. page (D6)	No Designation Required							
Pipe Material Stainless Steel (Optional) Ref. page (D7)	TMP304SS	304						
	TMP316SS	316						
Pipe Size & Schedule	2 1/2"	SCH40-250						
	3"	SCH40-300						
	4"	SCH40-400						
	5"	SCH40-500						
	6"	SCH40-600						
	8"	SCH40-800						
End Style	Flat Face	LF						
	'O' Ring Face	LO						
Length	Specify (in.)							
Options	Viton	V						
	Painted (Specify)	P						
Complete Stainless Steel Assembly: (including flanges)	SS							

PART NO. (EXAMPLE): LPAR/ SCH40-250 - LF - LO - 360

- SEE REFERENCE PAGES INDICATED ABOVE FOR PRESSURE RATINGS
- FOR BOLT KITS - REFERENCE SECTION R



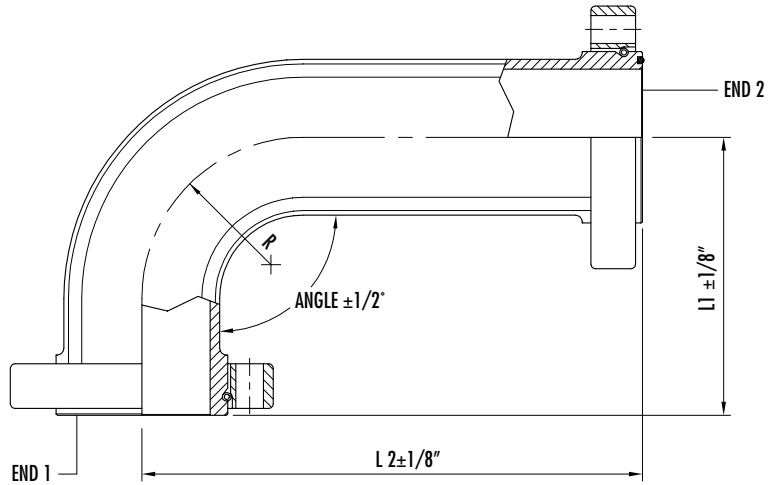
Low Pressure Retain Ring Flange Bent Pipe Assembly

Complete Assembly Part Number

Typical LBPARG Assembly

COMPLETE ASSEMBLY CONSISTS OF:

- ONE (1) LENGTH OF BENT CLEAN PIPE (REF. PAGES D6-D7)
- TWO (2) LOW PRESSURE BUTT WELD ADAPTERS (SEGMENTALLY WELDED)
- TWO (2) LOW PRESSURE RETAIN RING FLANGES (REF. PAGES D8-D9)
- TWO (2) LOW PRESSURE RETAIN RINGS
- BUNA 'O' RING(S) (STANDARD)
- ENDS SEALED WITH 6 MIL HEAT SHRINK MATERIAL (2 1/2" & 3")
- ENDS SEALED WITH POSITIVE CLOSURE (4"-8")



Code		LPAR	Pipe Material	Pipe Size & Schedule	End 1	End 2	Length	Options
Low Pressure Pipe Assembly		LPAR						
Pipe Material Carbon Steel (Standard) Ref. page (D6)	No Designation Required							
Pipe Material Stainless Steel (Optional) Ref. page (D7)	TMP304SS	304						
	TMP316SS	316						
Pipe Size & Schedule	2 1/2"	SCH40-250						
	3"	SCH40-300						
	4"	SCH40-400						
	5"	SCH40-500						
	6"	SCH40-600						
	8"	SCH40-800						
End Style	Flat Face	LF						
	'O' Ring Face	LO						
Length	Specify (in.)							
Options	Viton	V						
	Painted (Specify)	P						
Complete Stainless Steel Assembly: (including flanges)		SS						

Size	Dimensions (in)	
	L(min)	R
2 1/2"	12.00	7.50
3"	13.00	9.00
4"	16.00	12.00
5"	19.00	15.00
6"	22.00	18.00
8"	28.00	24.00

PART NO. (EXAMPLE): LBPARG / SCH40-250 - LF - LO - 215 - 90 - 145

- SEE REFERENCE PAGES INDICATED ABOVE FOR PRESSURE RATINGS
- FOR BOLT KITS - REFERENCE SECTION R



