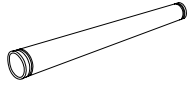
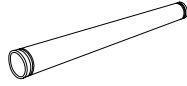
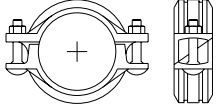
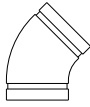
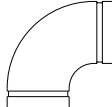
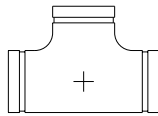
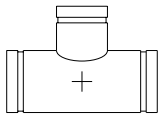
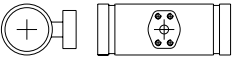
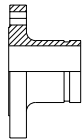
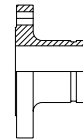
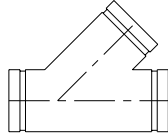
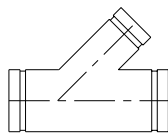
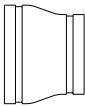
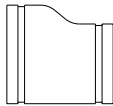

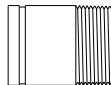
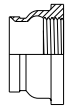
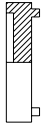
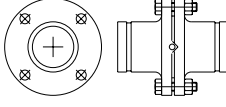




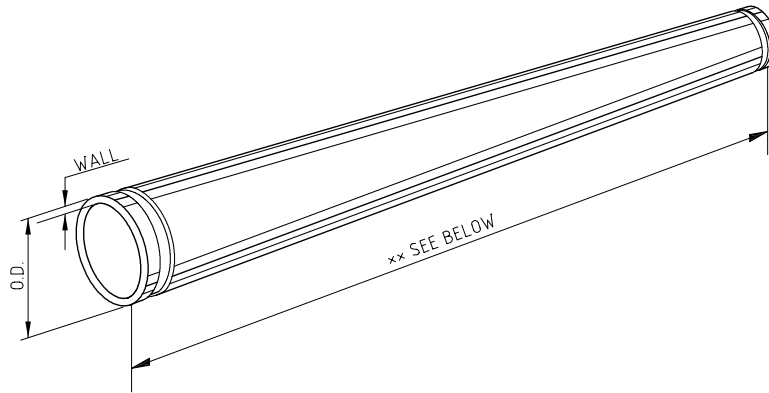
TMI[®] Roll/Cut Grooved System - Visual Index

<p>PIPES</p>	<p>CARBON STEEL PIPE</p>  <p>2 1/2" - 8" Page E4</p>	<p>STAINLESS STEEL PIPE</p>  <p>2 1/2" - 8" Page E4</p>	<p>GROOVED COUPLING</p>	<p>GC07</p>  <p>2 1/2" - 8" Page E5</p>
<p>GROOVED END FITTINGS</p>	<p>GE45 ELBOW-45°</p>  <p>2 1/2" - 8" Page E6</p>	<p>GE90 ELBOW-90°</p>  <p>2 1/2" - 8" Page E6</p>	<p>GT TEE</p>  <p>2 1/2" - 8" Page E7</p>	<p>GRT REDUCING TEE</p>  <p>2 1/2" - 8" Page E8</p>
<p>GRTF REDUCING TEE-FLANGED</p>  <p>2 1/2" - 8" Page E9</p>	<p>GAF150 ANSI FLANGE ADAPTER-150#</p>  <p>2 1/2" - 8" Page E10</p>	<p>GAF300 ANSI FLANGE ADAPTER-300#</p>  <p>2 1/2" - 8" Page E10</p>	<p>GL LATERAL-45°</p>  <p>2 1/2" - 8" Page E11</p>	<p>GRL REDUCING LATERAL-45°</p>  <p>2 1/2" - 8" Page E12</p>
<p>GCR CONCENTRIC REDUCER</p>  <p>2 1/2" - 8" Page E13</p>	<p>GER ECCENTRIC REDUCER</p>  <p>2 1/2" - 8" Page E14</p>	<p>GSN SHORT NIPPLE</p>  <p>2 1/2" - 8" Page E15</p>	<p>GTN THREADED NIPPLE</p>  <p>2 1/2" - 6" Page E15</p>	<p>GFTA FEMALE THREAD ADAPTER</p>  <p>2 1/2" - 4" Page E16</p>
<p>GCC CAP</p>  <p>2 1/2" - 8" Page E16</p>	<p>GROOVED END CHECK VALVE</p>	<p>GCV</p>  <p>2 1/2" - 8" Page E17</p>		



TMI[®] Carbon/Stainless Steel Grooved Pipe

Schedule 40 Pipe



TMPG44HR

A519 - Cleaned & Phosphated Seamless Carbon Steel

Schedule 40

Nominal Size	Pipe Part No.	OD x Wall (in)	Bore Dia. (in)	WT. lbs/ft	Working Pressure PSI (bar)
2 1/2"	TMPG44HR-SCH40-250x**	2.875 x 0.203	2.469	5.79	750 (52)
3"	TMPG44HR-SCH40-300x**	3.500 x 0.216	3.068	7.57	750 (52)
4"	TMPG44HR-SCH40-400x**	4.500 x 0.237	4.026	10.78	750 (52)
5"	TMPG44HR-SCH40-500x**	5.563 x 0.258	5.047	14.60	750 (52)
6"	TMPG44HR-SCH40-600x**	6.625 x 0.280	6.065	18.95	700 (48)
8"	TMPG44HR-SCH40-800x**	8.625 x 0.322	7.981	28.52	600 (40)

• FOR SIZES 10" OR LARGER CONSULT FACTORY

**INDICATE LENGTH (inches), SIZES 2 1/2" & 3" AVAILABLE IN 360" LENGTHS, SIZES 4" - 8" AVAILABLE UP TO 480" LENGTHS

- WORKING PRESSURES RATINGS ARE PER COUPLING RATINGS
- ENDS CAPPED

TMPG304SS/316SS

A312 - Seamless Stainless Steel (supplied as dual certification ie. 304/304L or 316/316L)

Schedule 40 (also available in Schedule 10*)

Nominal Size	304/304L Stainless Steel Pipe Part No.	316/316L Stainless Steel Pipe Part No.	OD x Wall (in)	Bore Dia. (in)	WT. lbs/ft	Working Pressure PSI (bar)
2 1/2"	TMPG304SS-SCH40-250x**	TMPG316SS-SCH40-250x**	2.875 x 0.203	2.469	5.79	750 (52)
3"	TMPG304SS-SCH40-300x**	TMPG316SS-SCH40-300x**	3.500 x 0.216	3.068	7.58	750 (52)
4"	TMPG304SS-SCH40-400x**	TMPG316SS-SCH40-400x**	4.500 x 0.237	4.026	10.79	750 (52)
5"	TMPG304SS-SCH40-500x**	TMPG316SS-SCH40-500x**	5.563 x 0.258	5.047	14.62	750 (52)
6"	TMPG304SS-SCH40-600x**	TMPG316SS-SCH40-600x**	6.625 x 0.280	6.065	18.97	700 (48)
8"	TMPG304SS-SCH40-800x**	TMPG316SS-SCH40-800x**	8.625 x 0.322	7.981	28.55	600 (40)

• FOR SIZES 10" OR LARGER CONSULT FACTORY

**INDICATE LENGTH (inches), AVAILABLE IN RANDOM LENGTHS UP TO 240" LENGTHS

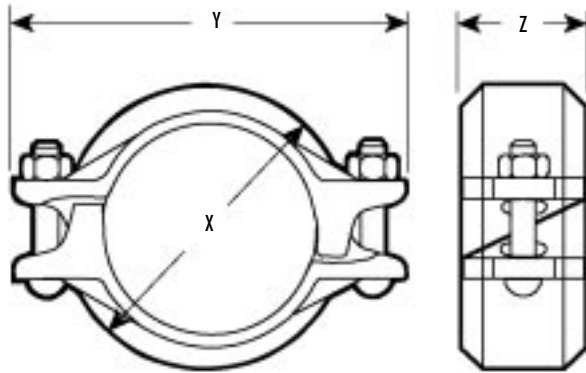
- WORKING PRESSURES RATINGS ARE PER COUPLING RATINGS
- ENDS CAPPED

* PART NO. (EXAMPLE) FOR SCHEDULE 10:
TMPG304SS - SCH10 - 250 x 240



Grooved Coupling

Zero-Flex® Standard Rigid Coupling



COMPLETE ASSEMBLY CONSISTS OF:

- TWO (2) COUPLING HALVES
- ONE (1) BUNA GASKET (STANDARD)
- TWO (2) BOLTS AND NUTS - (SPECIAL STYLE)

GC07 Standard Rigid Grooved Coupling (Ductile Iron)

Complete With FlushSeal® Gasket

Nominal Pipe Size	Coupling Assembly Part No.	Gasket (Buna) Part No.	Dimensions (in)			Maximum End Load (lbs)	Allowable Pipe End # Separation	WT. lbs/pc	Working Pressure PSI (bar)
			X	Y	Z				
2 1/2"	GC07-250	G07-250-*	3.88	6.13	1.88	4875	0.07"	2.8	750 (50)
3"	GC07-300	G07-300-*	4.56	6.81	1.88	7215	0.07"	3.1	750 (50)
4"	GC07-400	G07-400-*	5.81	8.25	2.06	11925	0.16"	4.8	750 (50)
5"	GC07-500	G07-500-*	7.06	9.75	2.06	18225	0.16"	7.1	750 (50)
6"	GC07-600	G07-600-*	8.00	10.75	2.06	24130	0.16"	8.7	700 (48)
8"	GC07-800	G07-800-*	10.25	13.50	2.50	35000	0.19"	14.9	600 (40)

• FOR SIZES 10" OR LARGER CONSULT FACTORY

* INSERT 'V' TO INDICATE OPTIONAL VITON GASKET

FOR FIELD INSTALLATION ONLY. ZERO-FLEX COUPLINGS ARE ESSENTIALLY RIGID AND DO NOT PERMIT EXPANSION/CONTRACTION, AND CAN BE CONSIDERED TO HAVE SYSTEM BEHAVIOR CHARACTERISTICS SIMILAR TO THOSE OF WELDED OR FLANGED SYSTEMS

- WORKING PRESSURE AND END LOAD ARE TOTAL, FROM ALL INTERNAL AND EXTERNAL LOADS, BASED ON STANDARD WEIGHT STEEL PIPE, STANDARD ROLL OR CUT GROOVED IN ACCORDANCE WITH SPECIFICATIONS
- STAINLESS STEEL TYPE 316 OR GALVANIZED AVAILABLE
- FOR BOLT KITS - REFERENCE SECTION R

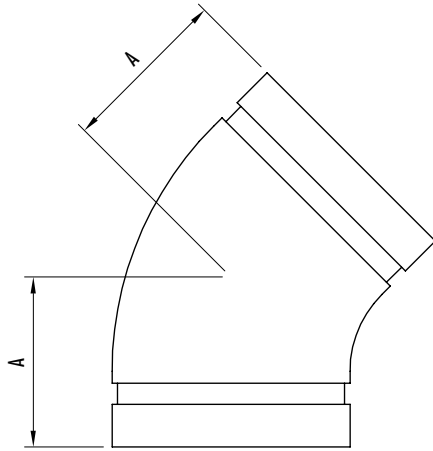
WARNING: FOR ONE TIME FIELD TEST ONLY, THE MAXIMUM JOINT WORKING PRESSURE MAY BE INCREASED TO 1 1/2 TIMES THE FIGURES SHOWN.



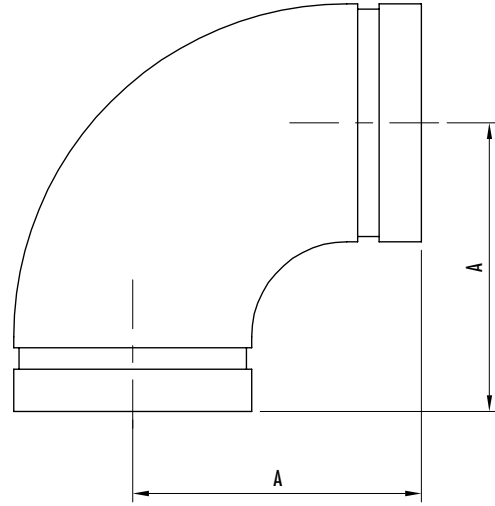
Grooved End Fittings

Elbows

GE45 45° Elbow



GE90 90° Elbow



GE45 45° Elbow (Ductile Iron)

Size	Elbow Part No.	Dimensions (in)	WT. lbs/pc	Working Pressure PSI (bar)
		A		
2 1/2"	GE45-250	2.25	2.2	750 (50)
3"	GE45-300	2.50	3.1	750 (50)
4"	GE45-400	3.00	5.6	750 (50)
5"	GE45-500	3.25	8.3	750 (50)
6"	GE45-600	3.50	11.7	700 (48)
8"	GE45-800	4.25	20.4	600 (40)

GE90 90° Elbow (Ductile Iron)

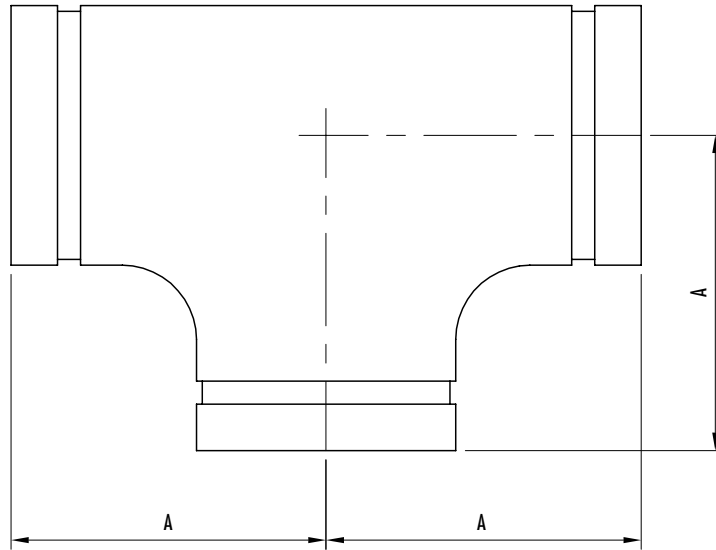
Size	Elbow Part No.	Dimensions (in)	WT. lbs/pc	Working Pressure PSI (bar)
		A		
2 1/2"	GE90-250	3.75	4.9	750 (50)
3"	GE90-300	4.25	4.9	750 (50)
4"	GE90-400	5.00	8.5	750 (50)
5"	GE90-500	5.50	11.4	750 (50)
6"	GE90-600	6.50	18.4	700 (48)
8"	GE90-800	7.75	35.1	600 (40)

- **FOR SIZES 10" OR LARGER CONSULT FACTORY**
- TUBE-MAC® SUPPLIED GROOVED END FITTINGS ARE MECHANICALLY CLEANED INTERNALLY AND EXTERNALLY TO REMOVE FACTORY PAINT, THEN ZINC PHOSPHATE COATED, INTERNALLY OILED, EXTERNALLY PAINTED GREY WITH PLASTIC CAPS ON ALL OPEN ENDS. THIS ENSURES FITTINGS ARE SUPPLIED CLEAN AND READILY IDENTIFIABLE ON THE JOB SITE FOR HYDRAULIC AND LUBRICATION PIPING APPLICATIONS.
- STAINLESS STEEL TYPE 304 OR 316 AVAILABLE (DIMENSIONS MAY VARY)



Grooved End Fittings

Tee



GT Tee (Ductile Iron)

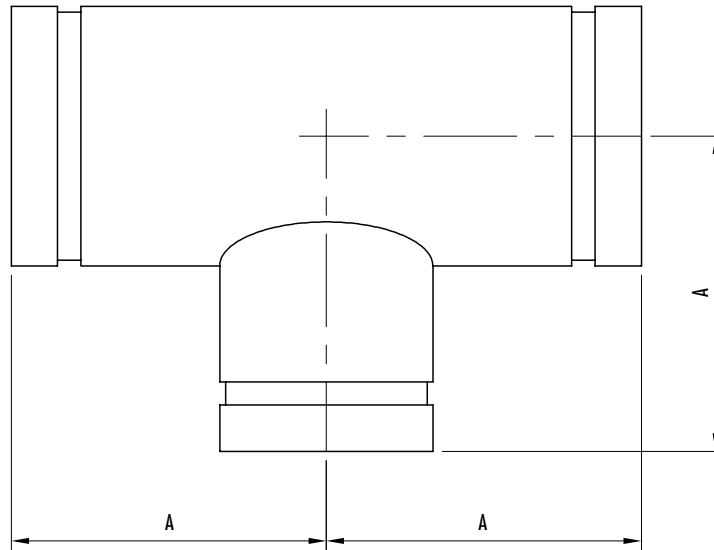
Size	Tee Part No.	Dimensions (in)	WT. lbs/pc	Working Pressure PSI (bar)
		A		
2 1/2"	GT-250	3.75	4.8	750 (50)
3"	GT-300	4.25	6.1	750 (50)
4"	GT-400	5.00	12.6	750 (50)
5"	GT-500	5.50	17.8	750 (50)
6"	GT-600	6.50	27.3	700 (48)
8"	GT-800	7.75	47.6	600 (40)

- **FOR SIZES 10" OR LARGER CONSULT FACTORY**
- TUBE-MAC® SUPPLIED GROOVED END FITTINGS ARE MECHANICALLY CLEANED INTERNALLY AND EXTERNALLY TO REMOVE FACTORY PAINT, THEN ZINC PHOSPHATE COATED, INTERNALLY OILED, EXTERNALLY PAINTED GREY WITH PLASTIC CAPS ON ALL OPEN ENDS. THIS ENSURES FITTINGS ARE SUPPLIED CLEAN AND READILY IDENTIFIABLE ON THE JOB SITE FOR HYDRAULIC AND LUBRICATION PIPING APPLICATIONS.
- STAINLESS STEEL TYPE 304 OR 316 AVAILABLE (DIMENSIONS MAY VARY)



Grooved End Fittings

Reducing Tee



GRT Reducing Tee (Segmentally Welded Carbon Steel)

Size	Reducing Tee Part No.	Dimensions (in)	WT. lbs/pc	Working Pressure PSI (bar)
		A		
3" x 3" x 2 1/2"	GRT-300 x 300 x 250	4.25	6.4	750 (50)
4" x 4" x 2 1/2"	GRT-400 x 400 x 250	5.00	11.4	750 (50)
4" x 4" x 3"	GRT-400 x 400 x 300	5.00	11.6	750 (50)
5" x 5" x 3"	GRT-500 x 500 x 300	5.50	16.6	750 (50)
5" x 5" x 4"	GRT-500 x 500 x 400	5.50	16.7	750 (50)
6" x 6" x 2 1/2"	GRT-600 x 600 x 250	6.50	21.4	700 (48)
6" x 6" x 3"	GRT-600 x 600 x 300	6.50	26.5	700 (48)
6" x 6" x 4"	GRT-600 x 600 x 400	6.50	27.5	700 (48)
6" x 6" x 5"	GRT-600 x 600 x 500	6.50	22.8	700 (48)
8" x 8" x 3"	GRT-800 x 800 x 300	7.75	33.6	600 (40)
8" x 8" x 4"	GRT-800 x 800 x 400	7.75	42.8	600 (40)
8" x 8" x 5"	GRT-800 x 800 x 500	7.75	34.0	600 (40)
8" x 8" x 6"	GRT-800 x 800 x 600	7.75	42.3	600 (40)

- FOR SIZES 10" OR LARGER CONSULT FACTORY
- TUBE-MAC® SUPPLIED GROOVED END FITTINGS ARE MECHANICALLY CLEANED INTERNALLY AND EXTERNALLY TO REMOVE FACTORY PAINT, THEN ZINC PHOSPHATE COATED, INTERNALLY OILED, EXTERNALLY PAINTED GREY WITH PLASTIC CAPS ON ALL OPEN ENDS. THIS ENSURES FITTINGS ARE SUPPLIED CLEAN AND READILY IDENTIFIABLE ON THE JOB SITE FOR HYDRAULIC AND LUBRICATION PIPING APPLICATIONS.
- STAINLESS STEEL TYPE 304 OR 316 AVAILABLE (DIMENSIONS MAY VARY)

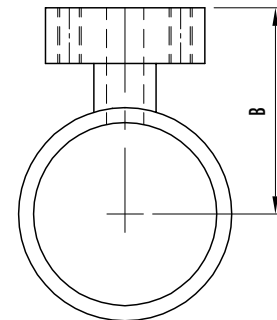
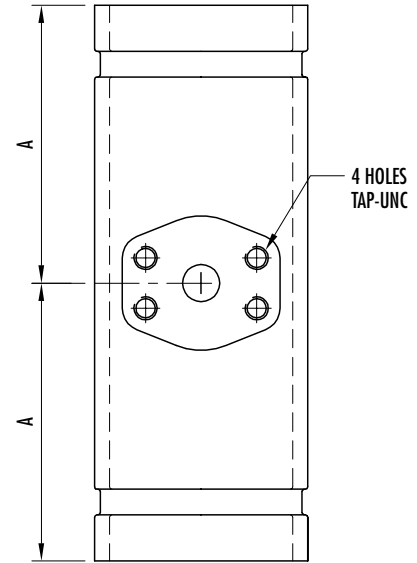


Grooved End Fittings

Reducing Tee-Flanged

GRTF Reducing Tee-Flanged SAE Code 61 4-Bolt Style (Segmentally Welded Carbon Steel)

Nominal Size	Tee Part No.	Dimensions (in)		Tap UNC-2B	WT. lbs/pc
		A	B		
2 1/2" x 2 1/2" x 1/2"	GRTF250-FF050	3.75	2.50	7/16"-18	4.5
x 3/4"	GRTF250-FF075	3.75	2.75	3/8"-16	4.6
x 1"	GRTF250-FF100	3.75	2.75	3/8"-16	4.7
x 1 1/4"	GRTF250-FF125	3.75	2.75	7/16"-14	4.9
x 1 1/2"	GRTF250-FF150	3.75	2.75	1/2"-13	5.6
x 2"	GRTF250-FF200	3.75	2.75	1/2"-13	6.6
3" x 3" x 1/2"	GRTF300-FF050	4.25	3.00	7/16"-18	6.3
x 3/4"	GRTF300-FF075	4.25	3.00	3/8"-16	6.4
x 1"	GRTF300-FF100	4.25	3.00	3/8"-16	6.5
x 1 1/4"	GRTF300-FF125	4.25	3.00	7/16"-14	6.7
x 1 1/2"	GRTF300-FF150	4.25	3.00	1/2"-13	7.4
x 2"	GRTF300-FF200	4.25	3.00	1/2"-13	8.4
4" x 4" x 1/2"	GRTF400-FF050	5.00	3.50	7/16"-18	9.9
x 3/4"	GRTF400-FF075	5.00	3.50	3/8"-16	10.0
x 1"	GRTF400-FF100	5.00	3.50	3/8"-16	10.1
x 1 1/4"	GRTF400-FF125	5.00	3.50	7/16"-14	10.3
x 1 1/2"	GRTF400-FF150	5.00	3.50	1/2"-13	10.6
x 2"	GRTF400-FF200	5.00	3.50	1/2"-13	11.6
5" x 5" x 1/2"	GRTF500-FF050	5.50	4.00	7/16"-18	14.3
x 3/4"	GRTF500-FF075	5.50	4.00	3/8"-16	14.4
x 1"	GRTF500-FF100	5.50	4.00	3/8"-16	14.5
x 1 1/4"	GRTF500-FF125	5.50	4.00	7/16"-14	14.7
x 1 1/2"	GRTF500-FF150	5.50	4.25	1/2"-13	15.4
x 2"	GRTF500-FF200	5.50	4.25	1/2"-13	16.4
6" x 6" x 1/2"	GRTF600-FF050	6.50	4.25	7/16"-18	19.76
x 3/4"	GRTF600-FF075	6.50	4.25	3/8"-16	21.6
x 1"	GRTF600-FF100	6.50	4.25	3/8"-16	21.7
x 1 1/4"	GRTF600-FF125	6.50	4.25	7/16"-14	21.9
x 1 1/2"	GRTF600-FF150	6.50	4.75	1/2"-13	22.6
x 2"	GRTF600-FF200	6.50	4.75	1/2"-13	23.6
8" x 8" x 1/2"	GRTF800-FF050	7.75	5.75	7/16"-18	36.6
x 3/4"	GRTF800-FF075	7.75	5.75	3/8"-16	36.7
x 1"	GRTF800-FF100	7.75	5.75	3/8"-16	36.8
x 1 1/4"	GRTF800-FF125	7.75	5.75	7/16"-14	37.0
x 1 1/2"	GRTF800-FF150	7.75	5.75	1/2"-13	37.7
x 2"	GRTF800-FF200	7.75	5.75	1/2"-13	38.7



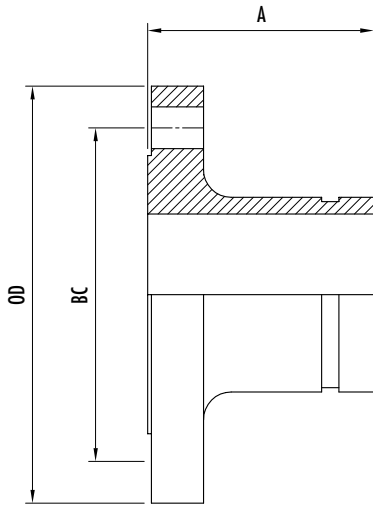
- FOR SIZES 10" OR LARGER CONSULT FACTORY
- FOR WORKING PRESSURE RATING, REFER TO COUPLING PRESSURE RATING ON PAGE E5
- TUBE-MAC® SUPPLIED GROOVED END FITTINGS ARE MECHANICALLY CLEANED INTERNALLY AND EXTERNALLY TO REMOVE FACTORY PAINT, THEN ZINC PHOSPHATE COATED, INTERNALLY OILED, EXTERNALLY PAINTED GREY WITH PLASTIC CAPS ON ALL OPEN ENDS. THIS ENSURES FITTINGS ARE SUPPLIED CLEAN AND READILY IDENTIFIABLE ON THE JOB SITE FOR HYDRAULIC AND LUBRICATION PIPING APPLICATIONS.
- STAINLESS STEEL TYPE 304 OR 316 AVAILABLE



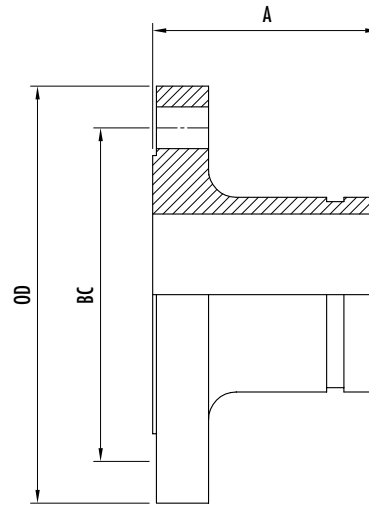
Grooved End Fittings

ANSI Flange Adapters

GAFA150



GAFA300



GAFA150 ANSI Flange Adapter - 150# (Carbon Steel)

Size	Flange Adapter Part No.	Dimensions (in)			No. Bolts	Bolt Size	WT. lbs/pc	Working Pressure PSI (bar)
		A	OD	BC				
2 1/2"	GAFA150-250	2.50	7.00	5.50	4	5/8" UNC	9.9	260 (18)
3"	GAFA150-300	2.50	7.50	6.00	4	5/8" UNC	11.4	260 (18)
4"	GAFA150-400	2.75	9.00	7.50	8	5/8" UNC	18.4	260 (18)
5"	GAFA150-500	3.25	10.00	8.50	8	3/4" UNC	21.3	260 (18)
6"	GAFA150-600	3.25	11.00	9.50	8	3/4" UNC	27.5	260 (18)
8"	GAFA150-800	3.74	13.50	11.75	8	3/4" UNC	41.3	260 (18)

GAFA300 ANSI Flange Adapter - 300# (Carbon Steel)

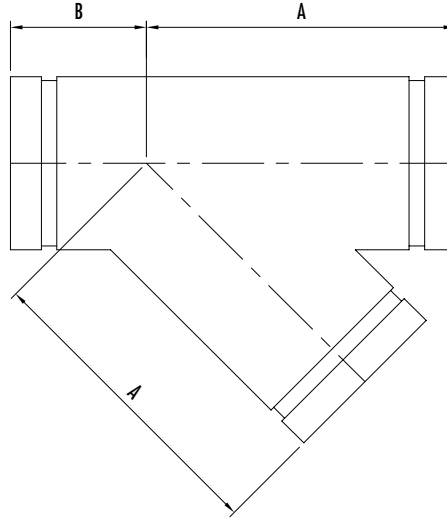
Size	Flange Adapter Part No.	Dimensions (in)			No. Bolts	Bolt Size	WT. lbs/pc	Working Pressure PSI (bar)
		A	OD	BC				
2 1/2"	GAFA300-250	2.75	7.50	5.88	8	3/4" UNC	11.9	750 (50)
3"	GAFA300-300	2.87	8.25	6.63	8	3/4" UNC	16.5	750 (50)
4"	GAFA300-400	3.13	10.00	7.88	8	3/4" UNC	27.4	750 (50)
5"	GAFA300-500	3.63	11.00	9.25	8	3/4" UNC	35.3	750 (50)
6"	GAFA300-600	3.63	12.50	10.63	12	3/4" UNC	47.5	700 (48)
8"	GAFA300-800	4.13	15.00	13.00	12	7/8" UNC	70.3	600 (40)

- FOR SIZES 10" OR LARGER CONSULT FACTORY
- TUBE-MAC® SUPPLIED GROOVED END FITTINGS ARE MECHANICALLY CLEANED INTERNALLY AND EXTERNALLY TO REMOVE FACTORY PAINT, THEN ZINC PHOSPHATE COATED, INTERNALLY OILED, EXTERNALLY PAINTED GREY WITH PLASTIC CAPS ON ALL OPEN ENDS. THIS ENSURES FITTINGS ARE SUPPLIED CLEAN AND READILY IDENTIFIABLE ON THE JOB SITE FOR HYDRAULIC AND LUBRICATION PIPING APPLICATIONS.
- STANDARD COMPOSITE GASKET MATERIAL
- STAINLESS STEEL TYPE 304 OR 316 AVAILABLE



Grooved End Fittings

45° Lateral



GL 45° Lateral (Segmentally Welded Carbon Steel)

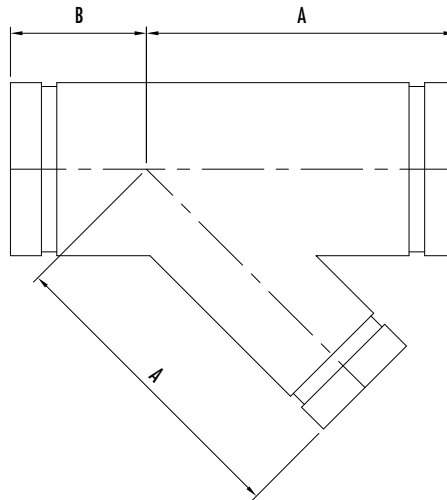
Size	Lateral Part No.	Dimensions (in)		WT. lbs/pc	Working Pressure PSI (bar)
		A	B		
2 1/2"	GL-250	7.75	3.00	9.0	750 (50)
3"	GL-300	8.50	3.25	11.7	750 (50)
4"	GL-400	10.50	3.75	22.2	750 (50)
5"	GL-500	12.50	4.00	29.8	750 (50)
6"	GL-600	14.00	4.50	43.6	700 (48)
8"	GL-800	18.00	6.00	72.0	600 (40)

- **FOR SIZES 10" OR LARGER CONSULT FACTORY**
- TUBE-MAC® SUPPLIED GROOVED END FITTINGS ARE MECHANICALLY CLEANED INTERNALLY AND EXTERNALLY TO REMOVE FACTORY PAINT, THEN ZINC PHOSPHATE COATED, INTERNALLY OILED, EXTERNALLY PAINTED GREY WITH PLASTIC CAPS ON ALL OPEN ENDS. THIS ENSURES FITTINGS ARE SUPPLIED CLEAN AND READILY IDENTIFIABLE ON THE JOB SITE FOR HYDRAULIC AND LUBRICATION PIPING APPLICATIONS.
- STAINLESS STEEL TYPE 304 OR 316 AVAILABLE (DIMENSIONS MAY VARY)



Grooved End Fittings

Reducing Lateral



GRL Reducing Lateral (Segmentally Welded Carbon Steel)

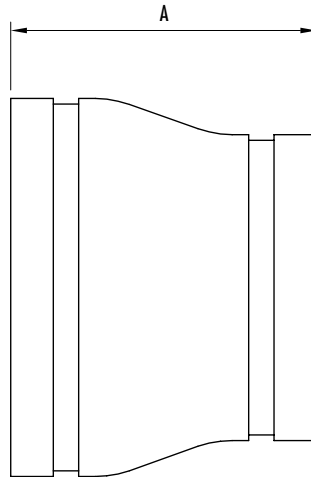
Size	Reducing Lateral Part No.	Dimensions (in)		WT. lbs/pc	Working Pressure PSI (bar)
		A	B		
3" x 3" x 2 1/2"	GRL-300 x 300 x 250	8.50	3.25	9.8	750 (50)
4" x 4" x 2 1/2"	GRL-400 x 400 x 250	10.50	3.75	10.0	750 (50)
4" x 4" x 3"	GRL-400 x 400 x 300	10.50	3.75	18.3	750 (50)
5" x 5" x 3"	GRL-500 x 500 x 300	12.50	4.00	27.0	750 (50)
5" x 5" x 4"	GRL-500 x 500 x 400	12.50	4.00	26.5	750 (50)
6" x 6" x 3"	GRL-600 x 600 x 300	14.00	4.50	37.0	700 (48)
6" x 6" x 4"	GRL-600 x 600 x 400	14.00	4.50	36.0	700 (48)
6" x 6" x 5"	GRL-600 x 600 x 500	14.00	4.50	44.7	700 (48)
8" x 8" x 4"	GRL-800 x 800 x 400	18.00	6.00	62.0	600 (40)
8" x 8" x 5"	GRL-800 x 800 x 500	18.00	6.00	75.5	600 (40)
8" x 8" x 6"	GRL-800 x 800 x 600	18.00	6.00	82.0	600 (40)

- **FOR SIZES 10" OR LARGER CONSULT FACTORY**
- TUBE-MAC® SUPPLIED GROOVED END FITTINGS ARE MECHANICALLY CLEANED INTERNALLY AND EXTERNALLY TO REMOVE FACTORY PAINT, THEN ZINC PHOSPHATE COATED, INTERNALLY OILED, EXTERNALLY PAINTED GREY WITH PLASTIC CAPS ON ALL OPEN ENDS. THIS ENSURES FITTINGS ARE SUPPLIED CLEAN AND READILY IDENTIFIABLE ON THE JOB SITE FOR HYDRAULIC AND LUBRICATION PIPING APPLICATIONS.
- STAINLESS STEEL TYPE 304 OR 316 AVAILABLE (DIMENSIONS MAY VARY)



Grooved End Fittings

Concentric Reducer



GCR Concentric Reducer (Segmentally Welded Carbon Steel Except as Noted)

Size	Concentric Reducer Part No.	Dimensions (in)	WT. lbs/pc	Working Pressure PSI (bar)
		A		
3" x 2 1/2"	GCR-300 x 250	2.50	1.8	750 (50)
4" x 2 1/2"	GCR-400 x 250 (d)	3.00	2.7	750 (50)
4" x 3"	GCR-400 x 300 (d)	3.00	2.5	750 (50)
5" x 2 1/2"	GCR-500 x 250	11.00	11.0	750 (50)
5" x 3"	GCR-500 x 300	4.00	4.9	750 (50)
5" x 4"	GCR-500 x 400	3.50	4.3	750 (50)
6" x 2 1/2"	GCR-600 x 250	11.50	14.2	700 (48)
6" x 3"	GCR-600 x 300 (d)	4.00	6.4	700 (48)
6" x 4"	GCR-600 x 400	4.00	6.5	700 (48)
6" x 5"	GCR-600 x 500	4.00	6.4	700 (48)
8" x 3"	GCR-800 x 300	5.00	9.3	600 (40)
8" x 4"	GCR-800 x 400	5.00	10.4	600 (40)
8" x 5"	GCR-800 x 500	5.00	11.6	600 (40)
8" x 6"	GCR-800 x 600	5.00	11.9	600 (40)

• FOR SIZES 10" OR LARGER CONSULT FACTORY

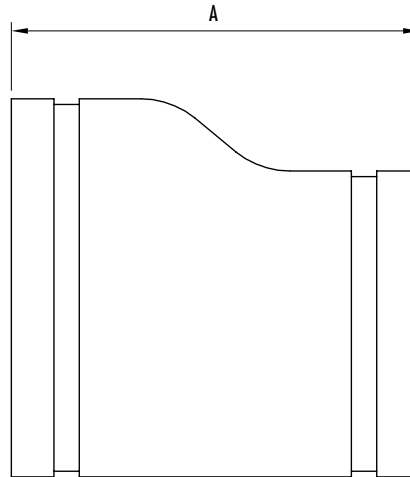
(d) DUCTILE IRON - NOT WELDED

- TUBE-MAC® SUPPLIED GROOVED END FITTINGS ARE MECHANICALLY CLEANED INTERNALLY AND EXTERNALLY TO REMOVE FACTORY PAINT, THEN ZINC PHOSPHATE COATED, INTERNALLY OILED, EXTERNALLY PAINTED GREY WITH PLASTIC CAPS ON ALL OPEN ENDS. THIS ENSURES FITTINGS ARE SUPPLIED CLEAN AND READILY IDENTIFIABLE ON THE JOB SITE FOR HYDRAULIC AND LUBRICATION PIPING APPLICATIONS.
- STAINLESS STEEL TYPE 304 OR 316 AVAILABLE (DIMENSIONS MAY VARY)



Grooved End Fittings

Eccentric Reducer



GER Eccentric Reducer (Segmentally Welded Carbon Steel Except as Noted)

Size	Eccentric Reducer Part No.	Dimensions (in)	WT. lbs/pc	Working Pressure PSI (bar)
		A		
3" x 2 1/2"	GER-300 x 250 (d)	3.50	2.3	750 (50)
4" x 2 1/2"	GER-400 x 250 (d)	4.00	3.4	750 (50)
4" x 3"	GER-400 x 300 (d)	4.00	3.5	750 (50)
5" x 2 1/2"	GER-500 x 250	11.00	10.8	750 (50)
5" x 3"	GER-500 x 300	11.00	11.1	750 (50)
5" x 4"	GER-500 x 400 (d)	5.00	6.0	750 (50)
6" x 2 1/2"	GER-600 x 250	11.50	14.2	700 (48)
6" x 3"	GER-600 x 300 (d)	5.50	6.8	700 (48)
6" x 4"	GER-600 x 400 (d)	5.50	7.4	700 (48)
6" x 5"	GER-600 x 500 (d)	5.50	8.5	700 (48)
8" x 2 1/2"	GER-800 x 250	12.00	26.1	600 (40)
8" x 3"	GER-800 x 300	12.00	22.0	600 (40)
8" x 4"	GER-800 x 400	12.00	23.0	600 (40)
8" x 5"	GER-800 x 500	12.00	23.0	600 (40)
8" x 6"	GER-800 x 600 (d)	6.00	12.0	600 (40)

- **FOR SIZES 10" OR LARGER CONSULT FACTORY**

(d) DUCTILE IRON - NOT WELDED

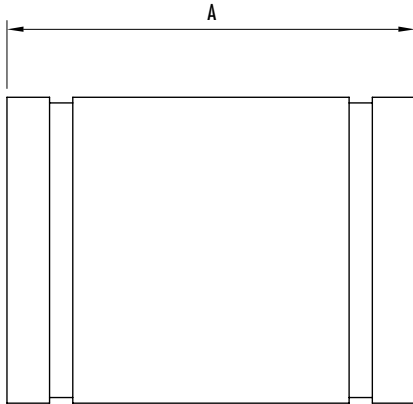
- TUBE-MAC® SUPPLIED GROOVED END FITTINGS ARE MECHANICALLY CLEANED INTERNALLY AND EXTERNALLY TO REMOVE FACTORY PAINT, THEN ZINC PHOSPHATE COATED, INTERNALLY OILED, EXTERNALLY PAINTED GREY WITH PLASTIC CAPS ON ALL OPEN ENDS. THIS ENSURES FITTINGS ARE SUPPLIED CLEAN AND READILY IDENTIFIABLE ON THE JOB SITE FOR HYDRAULIC AND LUBRICATION PIPING APPLICATIONS.
- STAINLESS STEEL TYPE 304 OR 316 AVAILABLE (DIMENSIONS MAY VARY)



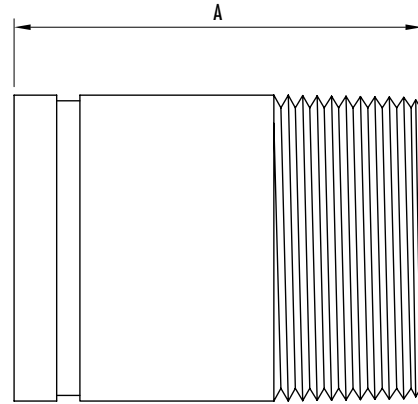
Grooved End Fittings

Nipples

GSN Short Nipple



GTN Threaded Nipple



GSN Short Nipple (Carbon Steel)

Size	Nipple Part No.	Dimensions (in)	WT. lbs/pc	Working Pressure PSI (bar)
		A		
2 1/2"	GSN-250	4.00	1.9	750 (50)
3"	GSN-300	4.00	2.5	750 (50)
4"	GSN-400	6.00	5.5	750 (50)
5"	GSN-500	6.00	7.4	750 (50)
6"	GSN-600	6.00	9.5	700 (48)
8"	GSN-800	6.00	14.2	600 (40)

- FOR SIZES 10" OR LARGER CONSULT FACTORY

GTN Threaded Nipple (Carbon Steel)

Size	Nipple Part No.	Dimensions (in)	NPTF Thread (dry seal)	WT. lbs/pc	Working Pressure PSI (bar)
		A			
2 1/2"	GTN-250	4.00	2 1/2" - 8	1.9	750 (50)
3"	GTN-300	4.00	3" - 8	2.5	750 (50)
4"	GTN-400	6.00	4" - 8	5.5	750 (50)
5"	GTN-500	6.00	5" - 8	7.4	750 (50)
6"	GTN-600	6.00	6" - 8	9.5	700 (48)

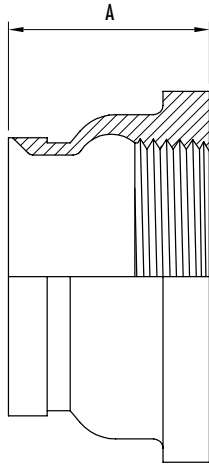
- TUBE-MAC® SUPPLIED GROOVED END FITTINGS ARE MECHANICALLY CLEANED INTERNALLY AND EXTERNALLY TO REMOVE FACTORY PAINT, THEN ZINC PHOSPHATE COATED, INTERNALLY OILED, EXTERNALLY PAINTED GREY WITH PLASTIC CAPS ON ALL OPEN ENDS. THIS ENSURES FITTINGS ARE SUPPLIED CLEAN AND READILY IDENTIFIABLE ON THE JOB SITE FOR HYDRAULIC AND LUBRICATION PIPING APPLICATIONS.
- STAINLESS STEEL TYPE 304 OR 316 AVAILABLE (DIMENSIONS MAY VARY)



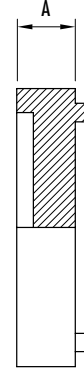
Grooved End Fittings

Female Thread Adapter & Blanking Cap

GFTA Female Thread Adapter



GCC Cap



GFTA Female Thread Adapter (Ductile Iron)

Size	Adapter Part No.	Dimensions (in)	NPTF Thread (dry seal)	WT. lbs/pc	Working Pressure PSI (bar)
		A			
2 1/2"	GFTA-250	*	2 1/2" - 8	1.5	750 (50)
3"	GFTA-300	2.75	3" - 8	2.9	750 (50)
4"	GFTA-400	3.25	4" - 8	4.5	750 (50)

* CONTACT TUBE-MAC® INDUSTRIES FOR DETAILS

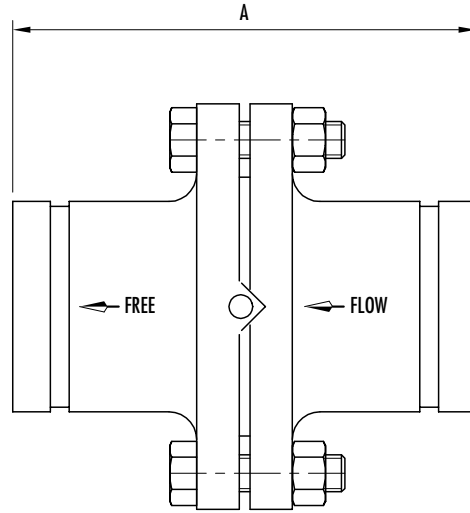
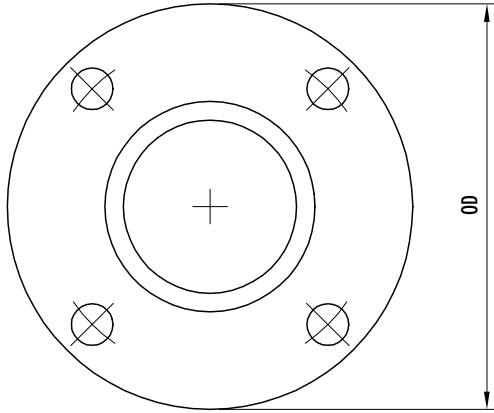
GCC Cap (Ductile Iron)

Size	Cap Part No.	Dimensions (in)	WT. lbs/pc	Working Pressure PSI (bar)
		A		
2 1/2"	GCC-250	0.88	1.0	750 (50)
3"	GCC-300	0.88	1.2	750 (50)
4"	GCC-400	1.00	2.5	750 (50)
5"	GCC-500	1.00	4.6	750 (50)
6"	GCC-600	1.00	6.1	700 (48)
8"	GCC-800	1.19	13.1	600 (40)

- **FOR SIZES 10" OR LARGER CONSULT FACTORY**
- TUBE-MAC® SUPPLIED GROOVED END FITTINGS ARE MECHANICALLY CLEANED INTERNALLY AND EXTERNALLY TO REMOVE FACTORY PAINT, THEN ZINC PHOSPHATE COATED, INTERNALLY OILED, EXTERNALLY PAINTED GREY WITH PLASTIC CAPS ON ALL OPEN ENDS. THIS ENSURES FITTINGS ARE SUPPLIED CLEAN AND READILY IDENTIFIABLE ON THE JOB SITE FOR HYDRAULIC AND LUBRICATION PIPING APPLICATIONS.
- STAINLESS STEEL TYPE 304 OR 316 AVAILABLE (DIMENSIONS MAY VARY)



Grooved End Check Valve



GCV Check Valve (Carbon Steel) Complete with Composite Gasket (Standard)

Size	Check Valve Part No.	Dimensions (in)		WT. lbs/pc	Working Pressure PSI (bar)
		A	OD		
2 1/2"	GCV-250	5.81	7.50	26.0	675 (47)
3"	GCV-300	6.05	8.25	35.0	675 (47)
4"	GCV-400	6.64	10.00	68.0	675 (47)
5"	GCV-500	7.76	11.00	78.0	675 (47)
6"	GCV-600	7.64	12.50	106.0	675 (47)
8"	GCV-800	8.76	15.00	155.0	600 (40)

- **FOR SIZES 10" OR LARGER CONSULT FACTORY**
- VARIOUS GASKET MATERIALS ARE AVAILABLE
- ALL CHECK VALVES ARE SUPPLIED WITH SOFT VALVE SEATS (BUNA 'O' RINGS)
- CRACKING PRESSURE IS 0.5 PSI ±15% - OTHER CRACKING PRESSURES ARE AVAILABLE
- STAINLESS STEEL TYPE 316 AVAILABLE



