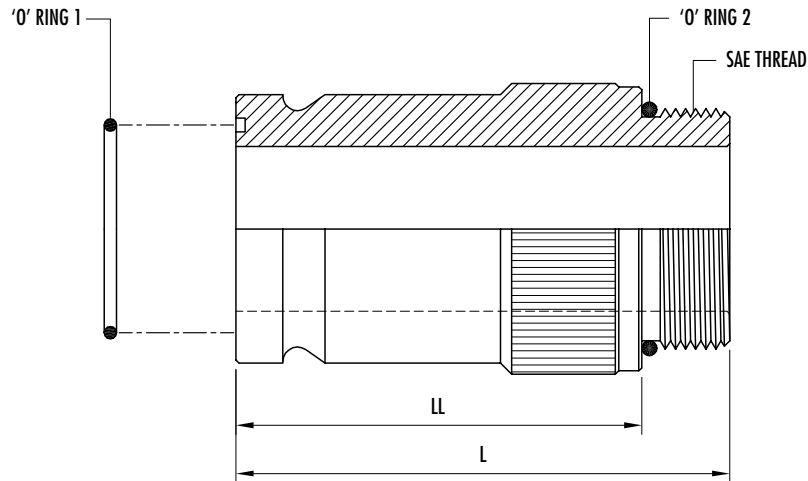


SAE Male Thread Adapter

Body Only



STA SAE Male Thread Adapter Body - Retain Ring Flange Style

Complete With Buna 'O' Rings (Standard)

Size (flange x thread)	Body Only Part No.	Dimensions (in)		Thread Size UNF/UN-2A	'O' Ring 1 (Buna) Part No.	'O' Ring 2 (Buna) Part No.	WT. lbs/pc	Working Pressure PSI (bar)
		L	LL					
1/2" x 3/8"	STA-050x038*	3.10	2.63	9/16"-18	OR*-3-909	OR*-3-906	0.50	6000 (420)
1/2" x 1/2"	STA-050x050*	3.18	2.63	3/4"-16	OR*-3-909	OR*-3-908	0.54	6000 (420)
1/2" x 5/8"	STA-050x063*	3.26	2.63	7/8"-14	OR*-3-909	OR*-3-910	0.60	6000 (420)
1/2" x 3/4"	STA-050x075*	3.36	2.63	1 1/16"-12	OR*-3-909	OR*-3-912	0.69	6000 (420)
3/4" x 1/2"	STA-075x050*	3.30	2.75	3/4"-16	OR*-3-913	OR*-3-908	1.06	6000 (420)
3/4" x 3/4"	STA-075x075*	3.47	2.75	1 1/16"-12	OR*-3-913	OR*-3-912	1.07	6000 (420)
3/4" x 1"	STA-075x100*	3.47	2.75	1 5/16"-12	OR*-3-913	OR*-3-916	1.10	6000 (420)
1" x 3/4"	STA-100x075*	3.72	3.00	1 1/16"-12	OR*-3-916	OR*-3-912	1.10	6000 (420)
1" x 1"	STA-100x100*	3.72	3.00	1 5/16"-12	OR*-3-916	OR*-3-916	1.25	6000 (420)
1" x 1 1/4"	STA-100x125*	3.72	3.00	1 5/8"-12	OR*-3-916	OR*-3-920	1.45	6000 (420)
1 1/4" x 1"	STA-125x100*	3.97	3.25	1 5/16"-12	OR*-3-918	OR*-3-916	1.44	6000 (420)
1 1/4" x 1 1/4"	STA-125x125*	3.97	3.25	1 5/8"-12	OR*-3-918	OR*-3-920	1.81	6000 (420)
1 1/4" x 1 1/2"	STA-125x150*	3.97	3.25	1 7/8"-12	OR*-3-918	OR*-3-924	2.03	6000 (420)
1 1/2" x 1 1/4"	STA-150x125*	4.97	4.25	1 5/8"-12	OR*-3-924	OR*-3-920	2.17	6000 (420)
1 1/2" x 1 1/2"	STA-150x150*	4.97	4.25	1 7/8"-12	OR*-3-924	OR*-3-924	2.95	6000 (420)
1 1/2" x 2"	STA-150x200*	4.97	4.25	2 1/2"-12	OR*-3-924	OR*-3-932	3.53	6000 (420)
2" x 1 1/2"	STA-200x150*	4.97	4.25	1 7/8"-12	OR*-3-928	OR*-3-924	3.02	6000 (420)
2" x 2"	STA-200x200*	4.97	4.25	2 1/2"-12	OR*-3-928	OR*-3-932	3.95	6000 (420)

* INSERT ' V ' TO INDICATE OPTIONAL VITON 'O' RINGS

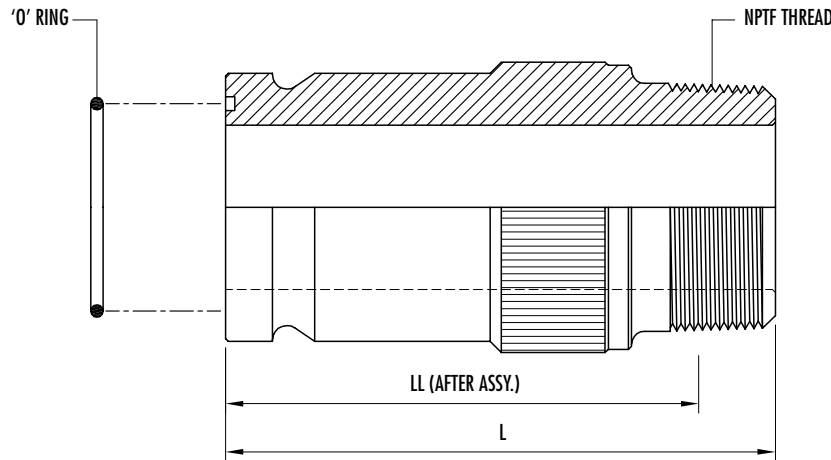
- OTHER JUMP SIZES AND LONGER LL DIMENSIONS ARE AVAILABLE UPON REQUEST
- THREADS PER SAE J1926/2 (ISO 11926-2)
- TO ORDER COMPLETE ASSEMBLY REFERENCE PAGES F6-F7

MATERIAL: CARBON STEEL, YELLOW ZINC DICHROMATE PLATED, (STAINLESS STEEL-316 AVAILABLE)



NPTF Male Thread Adapter

Body Only



NTA NPTF Male Thread Adapter Body - Retain Ring Flange Style Complete With Buna 'O' Ring (Standard)

Size (flange x thread)	Body Only Part No.	Dimensions (in)		NPTF Thread (Dryseal)	'O' Ring (Buna) Part No.	WT. lbs/pc	Working Pressure PSI (bar)
		L	LL				
1/2" x 1/2"	NTA-050x050*	3.38	2.84	1/2"-14	OR*-3-909	0.54	6000 (420)
1/2" x 3/4"	NTA-050x075*	3.38	2.84	3/4"-14	OR*-3-909	0.69	6000 (420)
3/4" x 1/2"	NTA-075x050*	3.50	2.96	1/2"-14	OR*-3-913	1.06	6000 (420)
3/4" x 3/4"	NTA-075x075*	3.50	2.96	3/4"-14	OR*-3-913	1.07	6000 (420)
3/4" x 1"	NTA-075x100*	3.69	3.01	1"-11 1/2	OR*-3-913	1.10	6000 (420)
1" x 3/4"	NTA-100x075*	3.75	3.21	3/4"-14	OR*-3-916	1.10	6000 (420)
1" x 1"	NTA-100x100*	3.94	3.26	1"-11 1/2	OR*-3-916	1.25	6000 (420)
1" x 1 1/4"	NTA-100x125*	3.97	3.26	1 1/4"-11 1/2	OR*-3-916	1.45	6000 (420)
1 1/4" x 1"	NTA-125x100*	4.19	3.51	1"-11 1/2	OR*-3-918	1.44	6000 (420)
1 1/4" x 1 1/4"	NTA-125x125*	4.22	3.51	1 1/4"-11 1/2	OR*-3-918	1.81	6000 (420)
1 1/4" x 1 1/2"	NTA-125x150*	4.25	3.51	1 1/2"-11 1/2	OR*-3-918	2.03	6000 (420)
1 1/2" x 1 1/4"	NTA-150x125*	5.22	4.51	1 1/4"-11 1/2	OR*-3-924	2.17	6000 (420)
1 1/2" x 1 1/2"	NTA-150x150*	5.25	4.51	1 1/2"-11 1/2	OR*-3-924	2.95	6000 (420)
1 1/2" x 2"	NTA-150x200*	5.28	4.51	2"-11 1/2	OR*-3-924	3.53	6000 (420)
2" x 1 1/2"	NTA-200x150*	5.25	4.51	1 1/2"-11 1/2	OR*-3-928	3.02	6000 (420)
2" x 2"	NTA-200x200*	5.28	4.51	2"-11 1/2	OR*-3-928	3.95	6000 (420)

* INSERT ' V ' TO INDICATE OPTIONAL VITON 'O' RING

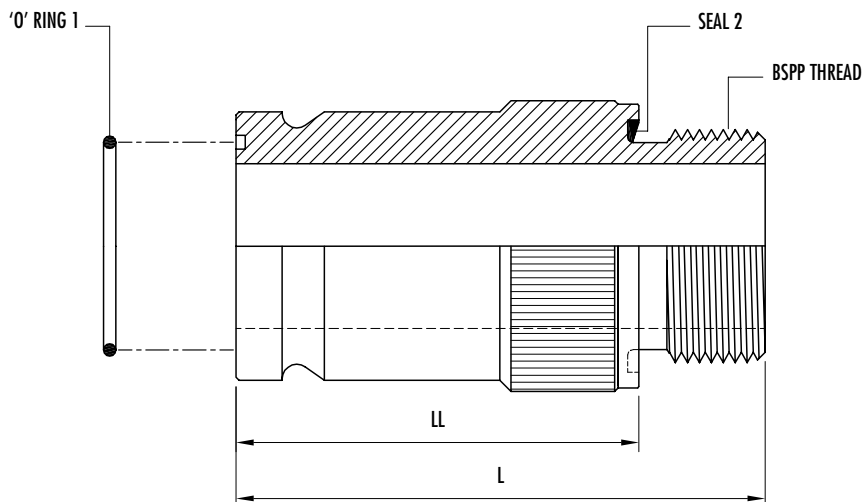
- OTHER JUMP SIZES AND LONGER LL DIMENSIONS ARE AVAILABLE UPON REQUEST
- THREADS PER ANSI-B2.1
- TO ORDER COMPLETE ASSEMBLY REFERENCE PAGES F6-F7

MATERIAL: CARBON STEEL, YELLOW ZINC DICHROMATE PLATED, (STAINLESS STEEL-316 AVAILABLE)



BSPP Male Thread Adapter

Body Only



BTA BSPP Male Thread Adapter Body - Retain Ring Flange Style

Complete With Buna 'O' Rings (Standard)

Size (flange x thread)	Body Only Part No.	Dimensions (in)		Thread Size	'O' Ring 1 (Buna) Part No.	Seal 2 (Buna) Part No.	WT. lbs/pc	Working Pressure PSI (bar)
		L	LL					
1/2" x 1/2"	BTA-050x050*	3.18	2.63	1/2"-14	OR*-3-909	DR*-G050	0.54	6000 (420)
1/2" x 3/4"	BTA-050x075*	3.26	2.63	3/4"-14	OR*-3-909	DR*-G075	0.69	6000 (420)
3/4" x 1/2"	BTA-075x050*	3.30	2.75	1/2"-14	OR*-3-913	DR*-G050	1.06	6000 (420)
3/4" x 3/4"	BTA-075x075*	3.38	2.75	3/4"-14	OR*-3-913	DR*-G075	1.07	6000 (420)
3/4" x 1"	BTA-075x100*	3.46	2.75	1"-11	OR*-3-913	DR*-G100	1.10	6000 (420)
1" x 3/4"	BTA-100x075*	3.63	3.00	3/4"-14	OR*-3-916	DR*-G075	1.10	6000 (420)
1" x 1"	BTA-100x100*	3.71	3.00	1"-11	OR*-3-916	DR*-G100	1.25	6000 (420)
1" x 1 1/4"	BTA-100x125*	3.79	3.00	1 1/4"-11	OR*-3-916	DR*-G125	1.45	6000 (420)
1 1/4" x 1"	BTA-125x100*	3.96	3.25	1"-11	OR*-3-918	DR*-G100	1.44	6000 (420)
1 1/4" x 1 1/4"	BTA-125x125*	4.04	3.25	1 1/4"-11	OR*-3-918	DR*-G125	1.81	6000 (420)
1 1/4" x 1 1/2"	BTA-125x150*	4.12	3.25	1 1/2"-11	OR*-3-918	DR*-G150	2.03	6000 (420)
1 1/2" x 1 1/4"	BTA-150x125*	5.04	4.25	1 1/4"-11	OR*-3-924	DR*-G125	2.17	6000 (420)
1 1/2" x 1 1/2"	BTA-150x150*	5.12	4.25	1 1/2"-11	OR*-3-924	DR*-G150	2.95	6000 (420)
◆ 1 1/2" x 2"	BTA-150x200*	5.37	4.25	2"-11	OR*-3-924	BS*-3236	3.53	6000 (420)
2" x 1 1/2"	BTA-200x150*	5.12	4.25	1 1/2"-11	OR*-3-928	DR*-G150	3.02	6000 (420)
◆ 2" x 2"	BTA-200x200*	5.37	4.25	2"-11	OR*-3-928	BS*-3236	3.95	6000 (420)

* INSERT ' V ' TO INDICATE OPTIONAL VITON 'O' RINGS

◆ 2" SEAL 2 CONSISTS OF A METAL BONDED LIP

• OTHER JUMP SIZES AND LONGER LL DIMENSIONS ARE AVAILABLE UPON REQUEST

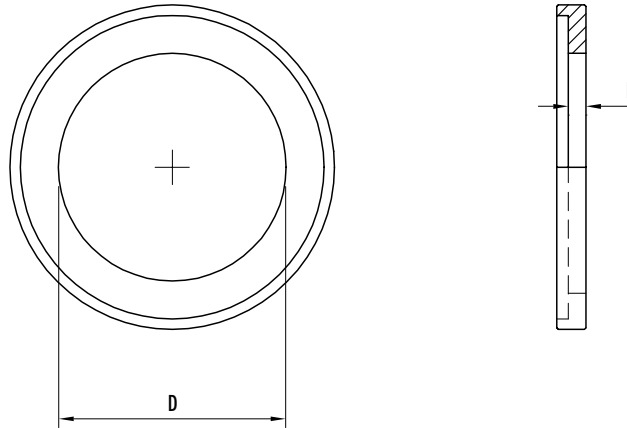
• THREADS PER ISO 1179-2

• TO ORDER COMPLETE ASSEMBLY REFERENCE PAGES F6-F7

MATERIAL: CARBON STEEL, YELLOW ZINC DICHROMATE PLATED, (STAINLESS STEEL-316 AVAILABLE)



'O' Ring Connector Plate



OCP 'O' Ring Connector Plate for Retain Ring Components

Size	Connector Plate Part No.	Dimensions (in)		WT. lbs/pc
		D	L	
1/2"	OCP-050	0.50	0.13	0.04
3/4"	OCP-075	0.75	0.13	0.06
1"	OCP-100	0.94	0.13	0.07
1 1/4"	OCP-125	1.20	0.13	0.08
1 1/2"	OCP-150	1.50	0.13	0.11
2"	OCP-200	1.94	0.13	0.13

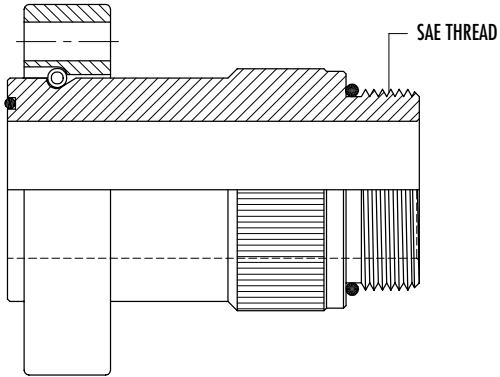
MATERIAL: CARBON STEEL, YELLOW ZINC DICHROMATE PLATED, (STAINLESS STEEL AVAILABLE)



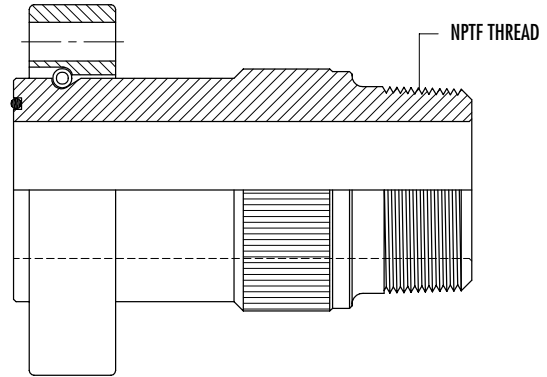
Male Thread Adapter Assemblies

Retain Ring Flange Style

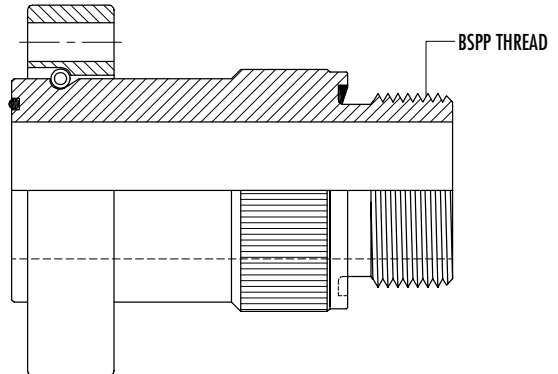
Typical A/STA Assembly



Typical A/NTA Assembly



Typical A/BTA Assembly



COMPLETE ASSEMBLY CONSISTS OF:

- ONE (1) ADAPTER BODY (REF. PAGES F2-F4)
- ONE (1) RETAIN RING FLANGE (REF. PAGES C8-C9)
- ONE (1) RETAIN RING
- BUNA 'O' RING(S) (STANDARD)
- END SEALED WITH 6 MIL HEAT SHRINK MATERIAL

PART NO. (EXAMPLE): A/STA - 100 - 100 - FC34



Male Thread Adapter Assembly

Complete Assembly Part Number - Retain Ring Flange Style

		Code	A	Body	Body Material	Flange End Size	Thread End Size	Flange	Options
Assembly		A							
Adapter Body Ref. pages (F2-F4)	SAE Male Thread Flange Adapter	STA							
	NPTF Male Thread Flange Adapter	NTA							
	BSPP Male Thread Flange Adapter	BTA							
Body Material Carbon Steel (Standard)	No Designation Required								
Body Material Stainless Steel (Optional) Ref. page (...)	TMP316SS	316							
Size Ref. pages (F2-F4)	1/2"	050							
	3/4"	075							
	1"	100							
	1 1/4"	125							
	1 1/2"	150							
	2"	200							
Flange Type Carbon Steel Yellow Zinc Dicromate Plated Ref. pages (C8-C9)	RFC34 SAE Code 61 W/Clearance Holes	FC34							
	*RFT34 SAE Code 61 W/Tapped Holes	FT34							
	RFC64 SAE Code 62 W/Clearance Holes	FC64							
	*RFT64 SAE Code 62 W/Tapped Holes	FT64							
Options	Viton	V							
Complete Stainless Steel Assembly: (including flanges)		SS							

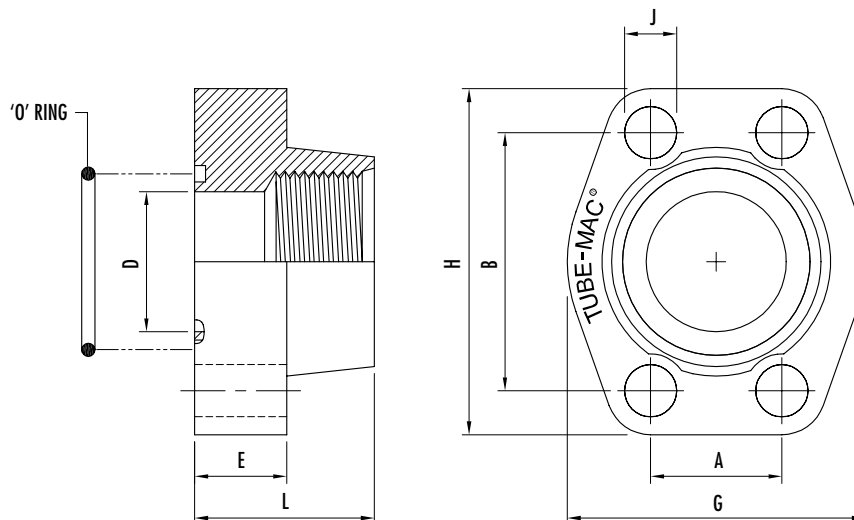
- * NORMALLY USED FOR CONNECTION TO SPLIT FLANGE TYPE ENDS
 - FOR CONNECTION TO HOSE USE CONNECTOR PLATE OCP (TO BE ORDERED SEPARATELY) REF. PAGE F5
- PART NO. (EXAMPLE): A/STA - 100 - 100 - FC34**

- ASSEMBLY WORKING PRESSURE RATINGS ARE SUBJECT TO THE LESSER OF THE FLANGE OR BODY RATINGS
- SEE REFERENCE PAGES INDICATED ABOVE FOR PRESSURE RATINGS
- FOR BOLT KITS - REFERENCE SECTION R



SAE Female Thread Flange Adapters

'O' Ring Face With Clearance Holes



STF034 SAE Female Thread Flange - SAE Code 61 'O' Ring Face With Clearance Holes Complete With Buna 'O' Ring (Standard)

Size	Flange Part No.	Dimensions (in)							SAE Thread UNF-2A	Drill Dia.(in) J	Bolt Minimum Grade 5	'O' Ring (Buna) Part No.	WT. lbs/pc	Working Pressure PSI (bar)	Bolt Torque ft.lbs.
		A	B	D	E	L	G	H							
1/2"	STF034-050-*	0.69	1.50	0.51	0.63	1.42	1.81	2.16	3/4"-16	0.35	5/16" UNC	OR*-2-210	0.55	5000 (350)	15-18
3/4"	STF034-075-*	0.88	1.88	0.75	0.71	1.42	2.06	2.56	1 1/16"-12	0.43	3/8" UNC	OR*-2-214	0.86	5000 (350)	20-30
1"	STF034-100-*	1.03	2.06	0.98	0.71	1.50	2.31	2.76	1 5/16"-12	0.43	3/8" UNC	OR*-2-219	1.00	5000 (350)	20-30
1 1/4"	STF034-125-*	1.19	2.31	1.26	0.83	1.61	2.88	3.11	1 5/8"-12	0.45	7/16" UNC	OR*-2-222	1.46	4000 (275)	40-50
1 1/2"	STF034-150-*	1.41	2.75	1.50	0.98	1.77	3.25	3.66	1 7/8"-12	0.53	1/2" UNC	OR*-2-225	2.31	3000 (210)	80-90

STF064 SAE Female Thread Flange - SAE Code 62 'O' Ring Face With Clearance Holes Complete With Buna 'O' Ring (Standard)

Size	Flange Part No.	Dimensions (in)							SAE Thread UNF-2A	Drill Dia.(in) J	Bolt Minimum Grade 5	'O' Ring (Buna) Part No.	WT. lbs/pc	Working Pressure PSI (bar)	Bolt Torque ft.lbs.
		A	B	D	E	L	G	H							
1/2"	STF064-050-*	0.72	1.59	0.51	0.63	1.42	1.88	2.22	3/4"-16	0.35	5/16" UNC	OR*-2-210	0.57	6000 (420)	15-18
3/4"	STF064-075-*	0.94	2.00	0.75	0.83	1.34	2.38	2.81	1 1/16"-12	0.43	3/8" UNC	OR*-2-214	1.10	6000 (420)	20-30
1"	STF064-100-*	1.09	2.25	0.98	0.98	1.65	2.75	3.19	1 5/16"-12	0.51	7/16" UNC	OR*-2-219	1.68	6000 (420)	40-50
1 1/4"	STF064-125-*	1.25	2.63	1.26	1.06	1.77	3.06	3.75	1 5/8"-12	0.53	1/2" UNC	OR*-2-222	2.65	6000 (420)	80-90
1 1/2"	STF064-150-*	1.44	3.13	1.50	1.18	1.97	3.75	4.44	1 7/8"-12	0.67	5/8" UNC	OR*-2-225	3.64	6000 (420)	110-120

* INSERT ' V ' TO INDICATE OPTIONAL VITON 'O' RING

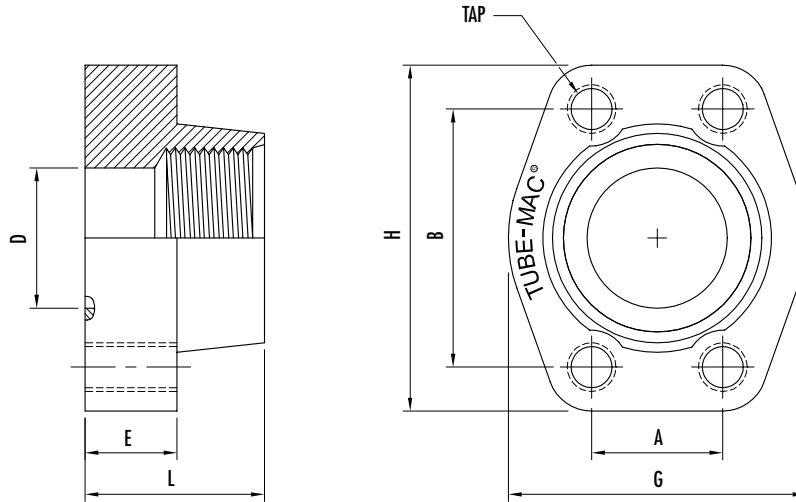
- SAE PORT FORM PER SAE J1926/1 (ISO 11926-1)
- FOR BOLT KITS - REFERENCE SECTION R

MATERIAL: CARBON STEEL, YELLOW ZINC DICHROMATE PLATED, (STAINLESS STEEL AVAILABLE)



SAE Female Thread Flange Adapters

Flat Face With Tapped Holes



STFF34 SAE Female Thread Flange - SAE Code 61 Flat Face With Tapped Holes

Size	Flange Part No.	Dimensions (in)							SAE Thread UNF-2A	Bolt Tap UNC-2B	WT. lbs/pc	Working Pressure PSI (bar)	Bolt Torque ft.lbs.
		A	B	D	E	L	G	H					
1/2"	STFF34-050	0.69	1.50	0.51	0.63	1.42	1.81	2.16	3/4"-16	5/16"	0.55	5000 (350)	15-18
3/4"	STFF34-075	0.88	1.88	0.75	0.71	1.42	2.06	2.56	1 1/16"-12	3/8"	0.86	5000 (350)	20-30
1"	STFF34-100	1.03	2.06	0.98	0.71	1.50	2.31	2.76	1 5/16"-12	3/8"	1.00	5000 (350)	20-30
1 1/4"	STFF34-125	1.19	2.31	1.26	0.83	1.61	2.88	3.11	1 5/8"-12	7/16"	1.46	4000 (275)	40-50
1 1/2"	STFF34-150	1.41	2.75	1.50	0.98	1.77	3.25	3.66	1 7/8"-12	1/2"	2.31	3000 (210)	80-90

STFF64 SAE Female Thread Flange - SAE Code 62 Flat Face With Tapped Holes

Size	Flange Part No.	Dimensions (in)							SAE Thread UNF-2A	Bolt Tap UNC-2B	WT. lbs/pc	Working Pressure PSI (bar)	Bolt Torque ft.lbs.
		A	B	D	E	L	G	H					
1/2"	STFF64-050	0.72	1.59	0.51	0.63	1.42	1.88	2.22	3/4"-16	5/16"	0.57	6000 (420)	15-18
3/4"	STFF64-075	0.94	2.00	0.75	0.83	1.34	2.38	2.81	1 1/16"-12	3/8"	1.10	6000 (420)	20-30
1"	STFF64-100	1.09	2.25	0.98	0.98	1.65	2.75	3.19	1 5/16"-12	7/16"	1.68	6000 (420)	40-50
1 1/4"	STFF64-125	1.25	2.63	1.26	1.06	1.77	3.06	3.75	1 5/8"-12	1/2"	2.65	6000 (420)	80-90
1 1/2"	STFF64-150	1.44	3.13	1.50	1.18	1.97	3.75	4.44	1 7/8"-12	5/8"	3.64	6000 (420)	110-120

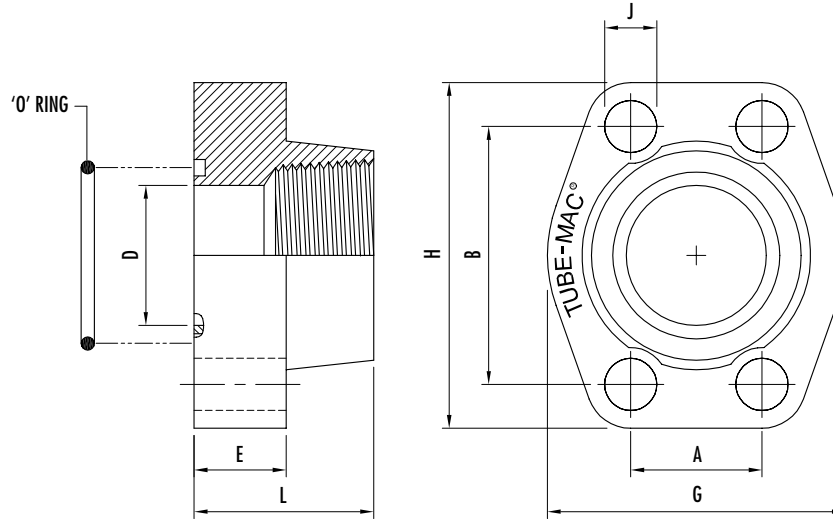
• SAE PORT FORM PER SAE J1926/1 ISO (11926-1)

MATERIAL: CARBON STEEL, YELLOW ZINC DICHROMATE PLATED, (STAINLESS STEEL AVAILABLE)



NPTF Female Thread Flange Adapters

'O' Ring Face With Clearance Holes



NTF034 NPTF Female Thread Flange - SAE Code 61 'O' Ring Face With Clearance Holes Complete with Buna 'O' Ring (Standard)

Size	Flange Part No.	Dimensions (in)							NPTF Thread	Drill Dia.(in) J	Bolt Min. Gade 5 UNC	'O' Ring (Buna) Part No.	WT. lbs/pc	Working Pressure PSI (bar)	Bolt Torque ft.lbs.
		A	B	D	E	L	G	H							
1/2"	NTF034-050-*	0.69	1.50	0.51	0.63	1.42	1.81	2.16	1/2"-14	0.35	5/16"	OR*-2-210	0.55	5000 (350)	15-18
3/4"	NTF034-075-*	0.88	1.88	0.75	0.71	1.42	2.06	2.56	3/4"-14	0.43	3/8"	OR*-2-214	0.86	5000 (350)	20-30
1"	NTF034-100-*	1.03	2.06	0.98	0.71	1.50	2.31	2.76	1"-11 1/2	0.43	3/8"	OR*-2-219	1.00	5000 (350)	20-30
1 1/4"	NTF034-125-*	1.19	2.31	1.26	0.83	1.61	2.88	3.11	1 1/4"-11 1/2	0.45	7/16"	OR*-2-222	1.46	4000 (275)	40-50
1 1/2"	NTF034-150-*	1.41	2.75	1.50	0.98	1.77	3.25	3.66	1 1/2"-11 1/2	0.53	1/2"	OR*-2-225	2.31	3000 (210)	80-90
2"	NTF034-200-*	1.69	3.06	2.01	0.98	1.77	3.81	4.02	2"-11 1/2	0.53	1/2"	OR*-2-228	2.62	3000 (210)	80-90
2 1/2"	NTF034-250-*	2.00	3.50	2.48	0.98	1.97	4.28	4.49	2 1/2"-8	0.53	1/2"	OR*-2-232	3.09	2500 (175)	80-90
3"	NTF034-300-*	2.44	4.19	2.87	1.06	1.97	5.16	5.28	3"-8	0.69	5/8"	OR*-2-237	4.74	2000 (140)	110-120

NTF064 NPTF Female Thread Flange - SAE Code 62 'O' Ring Face With Clearance Holes Complete with Buna 'O' Ring (Standard)

Size	Flange Part No.	Dimensions (in)							NPTF Thread	Drill Dia.(in) J	Bolt Min. Gade 5 UNC	'O' Ring (Buna) Part No.	WT. lbs/pc	Working Pressure PSI (bar)	Bolt Torque ft.lbs.
		A	B	D	E	L	G	H							
1/2"	NTF064-050-*	0.72	1.59	0.51	0.63	1.42	1.88	2.22	1/2"-14	0.35	5/16"	OR*-2-210	0.57	6000 (420)	15-18
3/4"	NTF064-075-*	0.94	2.00	0.75	0.83	1.34	2.38	2.81	3/4"-14	0.43	3/8"	OR*-2-214	1.10	6000 (420)	20-30
1"	NTF064-100-*	1.09	2.25	0.98	0.98	1.65	2.75	3.19	1"-11 1/2	0.51	7/16"	OR*-2-219	1.68	6000 (420)	40-50
1 1/4"	NTF064-125-*	1.25	2.63	1.26	1.06	1.77	3.06	3.75	1 1/4"-11 1/2	0.53	1/2"	OR*-2-222	2.65	6000 (420)	80-90
1 1/2"	NTF064-150-*	1.44	3.13	1.50	1.18	1.97	3.75	4.44	1 1/2"-11 1/2	0.67	5/8"	OR*-2-225	3.64	6000 (420)	110-120
2"	NTF064-200-*	1.75	3.81	2.01	1.46	2.56	4.50	5.25	2"-11 1/2	0.83	3/4"	OR*-2-228	5.40	6000 (420)	120-130

* INSERT ' V ' TO INDICATE OPTIONAL VITON 'O' RING.

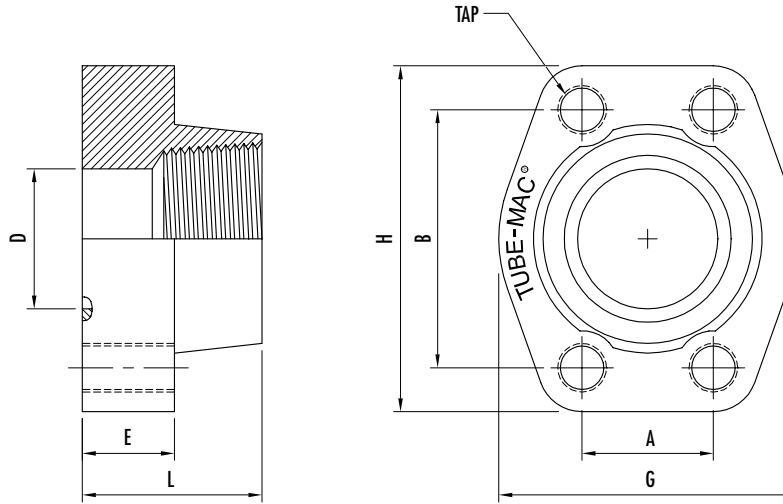
- NPTF PORT FORM PER ANSI-B2.1
- FOR BOLT KITS - REFERENCE SECTION R

MATERIAL: CARBON STEEL, YELLOW ZINC DICHROMATE PLATED, (STAINLESS STEEL AVAILABLE)



NPTF Female Thread Flange Adapters

Flat Face With Tapped Holes



NTFF34 NPTF Female Thread Flange - SAE Code 61 Flat Face With Tapped Holes

Size	Flange Part No.	Dimensions (in)							NPTF Thread	Bolt Tap UNC-2B	WT. lbs/pc	Working Pressure PSI (bar)	Bolt Torque ft.lbs.
		A	B	D	E	L	G	H					
1/2"	NTFF34-050	0.69	1.50	0.51	0.63	1.42	1.81	2.16	1/2"-14	5/16"	0.55	5000 (350)	15-18
3/4"	NTFF34-075	0.88	1.88	0.75	0.71	1.42	2.06	2.56	3/4"-14	3/8"	0.86	5000 (350)	20-30
1"	NTFF34-100	1.03	2.06	0.98	0.71	1.50	2.31	2.76	1"-11 1/2	3/8"	1.00	5000 (350)	20-30
1 1/4"	NTFF34-125	1.19	2.31	1.26	0.83	1.61	2.88	3.11	1 1/4"-11 1/2	7/16"	1.46	4000 (275)	40-50
1 1/2"	NTFF34-150	1.41	2.75	1.50	0.98	1.77	3.25	3.66	1 1/2"-11 1/2	1/2"	2.31	3000 (210)	80-90
2"	NTFF34-200	1.69	3.06	2.01	0.98	1.77	3.81	4.02	2"-11 1/2	1/2"	2.62	3000 (210)	80-90
2 1/2"	NTFF34-250	2.00	3.50	2.48	0.98	1.97	4.28	4.49	2 1/2"-8	1/2"	3.09	2500 (175)	80-90
3"	NTFF34-300	2.44	4.19	2.87	1.06	1.97	5.16	5.28	3"-8	5/8"	4.74	2000 (140)	110-120

NTFF64 NPTF Female Thread Flange - SAE Code 62 Flat Face With Tapped Holes

Size	Flange Part No.	Dimensions (in)							NPTF Thread	Bolt Tap UNC-2B	WT. lbs/pc	Working Pressure PSI (bar)	Bolt Torque ft.lbs.
		A	B	D	E	L	G	H					
1/2"	NTFF64-050	0.72	1.59	0.51	0.63	1.42	1.88	2.22	1/2"-14	5/16"	0.57	6000 (420)	15-18
3/4"	NTFF64-075	0.94	2.00	0.75	0.83	1.34	2.38	2.81	3/4"-14	3/8"	1.10	6000 (420)	20-30
1"	NTFF64-100	1.09	2.25	0.98	0.98	1.65	2.75	3.19	1"-11 1/2	7/16"	1.68	6000 (420)	40-50
1 1/4"	NTFF64-125	1.25	2.63	1.26	1.06	1.77	3.06	3.75	1 1/4"-11 1/2	1/2"	2.65	6000 (420)	80-90
1 1/2"	NTFF64-150	1.44	3.13	1.50	1.18	1.97	3.75	4.44	1 1/2"-11 1/2	5/8"	3.64	6000 (420)	110-120
2"	NTFF64-200	1.75	3.81	2.01	1.46	2.56	4.50	5.25	2"-11 1/2	3/4"	5.40	6000 (420)	120-130

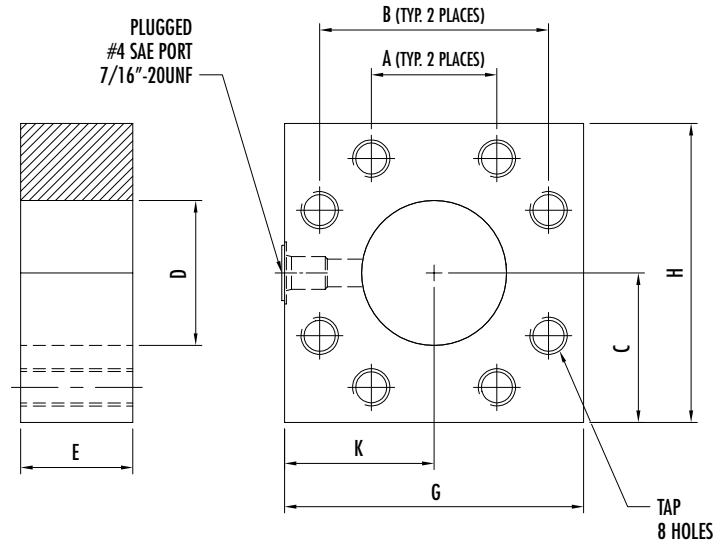
• NPTF PORT FORM PER ANSI-B2.1

MATERIAL: CARBON STEEL, YELLOW ZINC DICHROMATE PLATED, (STAINLESS STEEL AVAILABLE)



Adapter Plate

SAE Code 61 Flange Union Style



AP34 Adapter Plate - SAE Code 61 Flat Face With Tapped Holes

Complete with #4 SAE Port (Plugged)

Size	Adapter Plate Part No.	Dimensions (in)								Tap UNC-2B	WT. lbs/pc	Working Pressure PSI (bar)
		A	B	C	D	E	G	H	K			
1/2"	AP34-050-*	0.69	1.50	1.25	0.50	1.00	2.75	2.50	1.38	5/16"-18	1.66	5000 (350)
3/4"	AP34-075-*	0.88	1.88	1.50	0.75	1.00	3.00	3.00	1.50	3/8"-16	2.19	5000 (350)
1"	AP34-100-*	1.03	2.06	1.50	0.94	1.00	3.00	3.00	1.50	3/8"-16	2.15	5000 (350)
1 1/4"	AP34-125-*	1.19	2.31	1.50	1.25	1.25	3.00	3.00	1.50	7/16"-14	2.36	4000 (275)
1 1/2"	AP34-150-*	1.41	2.75	2.00	1.50	1.50	4.00	4.00	2.00	1/2"-13	5.40	3000 (210)
2"	AP34-200-*	1.69	3.06	2.00	1.94	1.50	4.00	4.00	2.00	1/2"-13	4.92	3000 (210)

* INSERT 'V' TO INDICATE OPTIONAL VITON 'O' RING FOR #4 SAE PORT

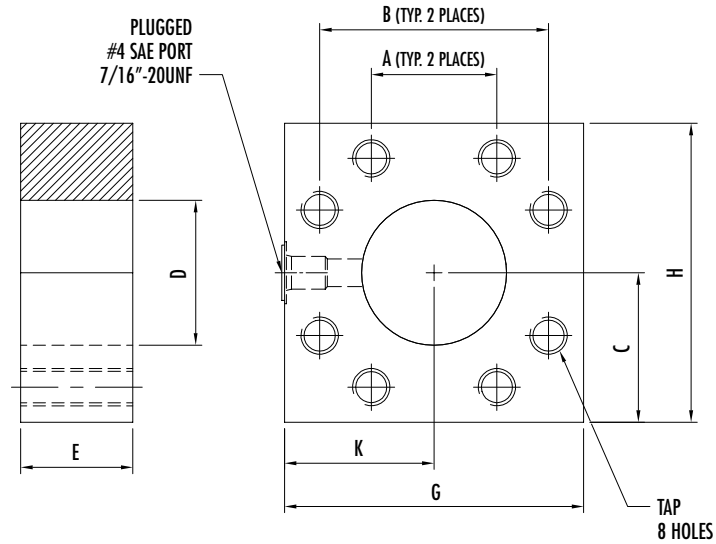
• FOR BOLT KIT - REFERENCE SECTION R

MATERIAL: CARBON STEEL, YELLOW ZINC DICHROMATE PLATED, (STAINLESS STEEL AVAILABLE)



Adapter Plate

SAE Code 62 Flange Union Style



AP64 Adapter Plate - SAE Code 62 Flat Face With Tapped Holes

Complete with #4 SAE Port (Plugged)

Size	Adapter Plate Part No.	Dimensions (in)								Tap UNC-2B	WT. lbs/pc	Working Pressure PSI (bar)
		A	B	C	D	E	G	H	K			
1/2"	AP64-050-*	0.72	1.59	1.25	0.50	1.00	2.75	2.50	1.38	5/16"-18	1.66	6000 (420)
3/4"	AP64-075-*	0.94	2.00	1.50	0.75	1.00	3.00	3.00	1.50	3/8"-16	2.19	6000 (420)
1"	AP64-100-*	1.09	2.25	1.50	0.94	1.25	3.00	3.00	1.50	7/16"-14	2.10	6000 (420)
1 1/4"	AP64-125-*	1.25	2.63	2.00	1.25	1.25	4.00	4.00	2.00	1/2"-13	5.40	6000 (420)
1 1/2"	AP64-150-*	1.44	3.13	2.00	1.50	1.50	4.00	4.00	2.00	5/8"-11	5.08	6000 (420)
2"	AP64-200-*	1.75	3.81	2.50	1.94	1.50	5.00	5.00	2.50	3/4"-10	8.10	6000 (420)

* INSERT 'V' TO INDICATE OPTIONAL VITON 'O' RING FOR #4 SAE PORT

• FOR BOLT KIT - REFERENCE SECTION R

MATERIAL: CARBON STEEL, YELLOW ZINC DICHROMATE PLATED, (STAINLESS STEEL AVAILABLE)



