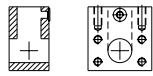
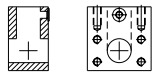
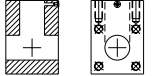
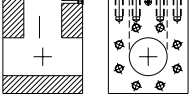
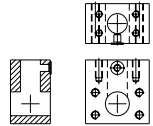
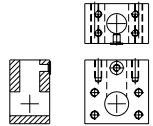
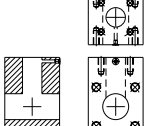
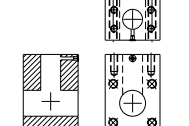
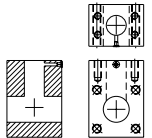
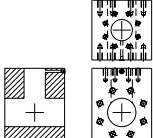
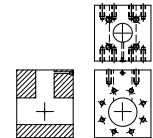
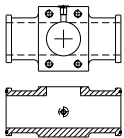
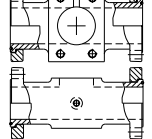
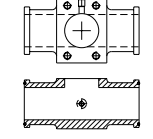
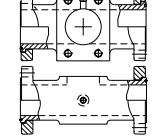
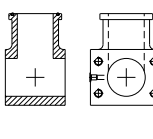
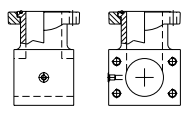
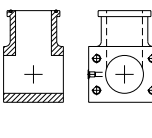
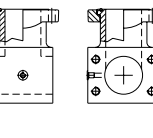
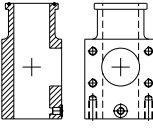
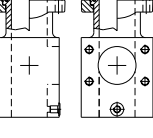
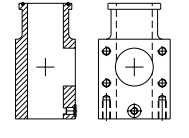
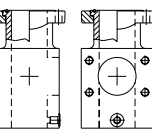
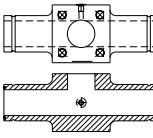
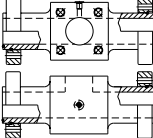
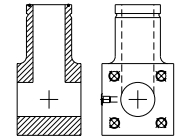
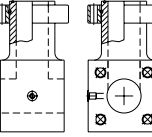
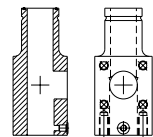
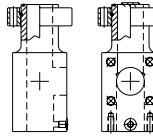


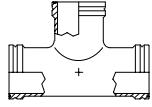
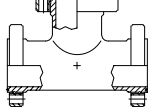
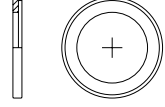
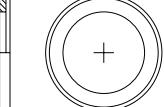


# Tees - Visual Index (page 1 of 2)

<p><b>BLOCK STYLE</b></p>	<p><b>BT34</b> SAE CODE 61</p>  <p>1/2" - 3" <a href="#">Page H3</a></p>	<p><b>BT64</b> SAE CODE 62</p>  <p>1/2" - 2" <a href="#">Page H3</a></p>	<p><b>BT74</b> ISO 6164</p>  <p>2 1/2" - 4" <a href="#">Page H4</a></p>	<p><b>BT48</b> TMI® 8-BOLT</p>  <p>5" - 8" <a href="#">Page H5</a></p>
<p><b>REDUCING BRANCH BLOCK STYLE</b></p>	<p><b>BTR34</b> SAE CODE 61</p>  <p>1/2" - 3" <a href="#">Page H6</a></p>	<p><b>BTR64</b> SAE CODE 62</p>  <p>1/2" - 2" <a href="#">Page H7</a></p>	<p><b>BTR74</b> ISO 6164</p>  <p>2 1/2" - 4" <a href="#">Page H8</a></p>	<p><b>BTR7-34</b> ISO 6164/SAE CODE 61</p>  <p>2" - 4" <a href="#">Page H9</a></p>
<p><b>BTR7-64</b> ISO 6164/SAE CODE 62</p>  <p>2" - 4" <a href="#">Page H9</a></p>	<p><b>BTR48</b> TMI® 8-BOLT</p>  <p>5" - 8" <a href="#">Page H10</a></p>	<p><b>BTR4-74</b> TMI® 8-BOLT/ISO 6164</p>  <p>4" - 8" <a href="#">Page H11</a></p>	<p><b>SPLIT FLANGE BLOCK STYLE</b></p>	<p><b>SFT34</b> SAE CODE 61 BODY ONLY</p>  <p>1/2" - 3" <a href="#">Page H12</a></p>
<p><b>A/SFT34</b> SAE CODE 61 ASSEMBLY</p>  <p>1/2" - 3" <a href="#">Page H13</a></p>	<p><b>SFT64</b> SAE CODE 62 BODY ONLY</p>  <p>1/2" - 2" <a href="#">Page H14</a></p>	<p><b>A/SFT64</b> SAE CODE 62 ASSEMBLY</p>  <p>1/2" - 2" <a href="#">Page H15</a></p>	<p><b>SFBT34</b> SAE CODE 61 BODY ONLY</p>  <p>1/2" - 3" <a href="#">Page H16</a></p>	<p><b>A/SFBT34</b> SAE CODE 61 ASSEMBLY</p>  <p>1/2" - 3" <a href="#">Page H17</a></p>
<p><b>SFBT64</b> SAE CODE 62 BODY ONLY</p>  <p>1/2" - 2" <a href="#">Page H18</a></p>	<p><b>A/SFBT64</b> SAE CODE 62 ASSEMBLY</p>  <p>1/2" - 2" <a href="#">Page H19</a></p>	<p><b>SFRT34</b> SAE CODE 61 BODY ONLY</p>  <p>1/2" - 3" <a href="#">Page H20</a></p>	<p><b>A/SFRT34</b> SAE CODE 61 ASSEMBLY</p>  <p>1/2" - 3" <a href="#">Page H21</a></p>	<p><b>SFRT64</b> SAE CODE 62 BODY ONLY</p>  <p>1/2" - 2" <a href="#">Page H22</a></p>
<p><b>A/SFRT64</b> SAE CODE 62 ASSEMBLY</p>  <p>1/2" - 2" <a href="#">Page H23</a></p>	<p><b>RETAIN RING FLANGE BLOCK STYLE</b></p>	<p><b>RT74</b> ISO 6164 BODY ONLY</p>  <p>2 1/2" - 4" <a href="#">Page H24</a></p>	<p><b>A/RT74</b> ISO 6164 ASSEMBLY</p>  <p>2 1/2" - 4" <a href="#">Page H25</a></p>	<p><b>RBT74</b> ISO 6164 BODY ONLY</p>  <p>2 1/2" - 4" <a href="#">Page H26</a></p>
<p><b>A/RBT74</b> ISO 6164 ASSEMBLY</p>  <p>2 1/2" - 4" <a href="#">Page H27</a></p>	<p><b>RRT74</b> ISO 6164 BODY ONLY</p>  <p>2 1/2" - 4" <a href="#">Page H28</a></p>	<p><b>A/RRT74</b> ISO 6164 ASSEMBLY</p>  <p>2 1/2" - 4" <a href="#">Page H29</a></p>		



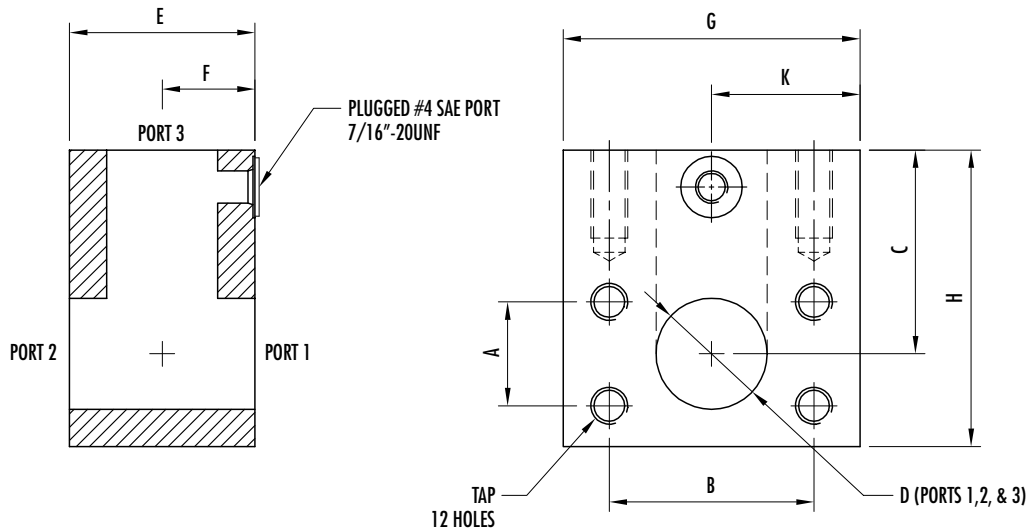
# Tees - Visual Index (page 2 of 2)

<p><b>LOW PRESSURE RETAIN RING FLANGE STYLE</b></p>	<p><b>LRT BODY ONLY</b></p>  <p>2 1/2" - 8" <a href="#">Page H30</a></p>	<p><b>A/LRT ASSEMBLY</b></p>  <p>2 1/2" - 8" <a href="#">Page H31</a></p>		
<p><b>'O' RING CONNECTOR PLATES</b></p>	<p><b>OCP CONNECTOR PLATE</b></p>  <p>1/2" - 4" <a href="#">Page H32</a></p>	<p><b>LOCP LOW PRESSURE-CONNECTOR PLATE</b></p>  <p>2 1/2" - 8" <a href="#">Page H33</a></p>		



# Block Tee

SAE Flange Style



## BT34 Block Tee - SAE Code 61 Flat Face With Tapped Holes

Complete With #4 SAE Port (Plugged)

Size	Tee Part No.	Dimensions (in)									Tap UNC-2B	WT. lbs/pc	Working Pressure PSI (bar)
		A	B	C	D	E	F	G	H	K			
1/2"	BT34-050-*	0.69	1.50	1.88	0.50	2.00	1.00	2.50	2.50	1.25	5/16"-18	3.05	5000 (350)
3/4"	BT34-075-*	0.88	1.88	2.25	0.75	2.00	1.00	3.00	3.25	1.50	3/8"-16	4.71	5000 (350)
1"	BT34-100-*	1.03	2.06	2.25	0.94	2.00	1.00	3.00	3.25	1.50	3/8"-16	4.41	5000 (350)
1 1/4"	BT34-125-*	1.19	2.31	2.75	1.25	2.25	1.13	3.00	4.00	1.50	7/16"-14	5.66	4000 (275)
1 1/2"	BT34-150-*	1.41	2.75	2.75	1.50	2.50	1.25	4.00	4.00	2.00	1/2"-13	8.25	3000 (210)
2"	BT34-200-*	1.69	3.06	3.00	1.94	3.00	1.50	4.00	4.50	2.00	1/2"-13	10.13	3000 (210)
2 1/2"	BT34-250-*	2.00	3.50	3.25	2.38	3.50	1.75	5.00	5.00	2.50	1/2"-13	16.63	2500 (175)
3"	BT34-300-*	2.44	4.19	3.75	2.88	4.00	2.00	5.50	6.00	2.75	5/8"-11	23.65	2000 (140)

## BT64 Block Tee - SAE Code 62 Flat Face With Tapped Holes

Complete With #4 SAE Port (Plugged)

Size	Tee Part No.	Dimensions (in)									Tap UNC-2B	WT. lbs/pc	Working Pressure PSI (bar)
		A	B	C	D	E	F	G	H	K			
1/2"	BT64-050-*	0.72	1.59	1.88	0.50	2.00	1.00	2.50	2.50	1.25	5/16"-18	3.05	6000 (420)
3/4"	BT64-075-*	0.94	2.00	2.25	0.75	2.00	1.00	3.00	3.25	1.50	3/8"-16	4.66	6000 (420)
1"	BT64-100-*	1.09	2.25	2.50	0.94	2.25	1.13	3.00	4.00	1.50	7/16"-14	6.20	6000 (420)
1 1/4"	BT64-125-*	1.25	2.63	2.75	1.25	2.50	1.25	4.00	4.00	2.00	1/2"-13	8.86	6000 (420)
1 1/2"	BT64-150-*	1.44	3.13	3.00	1.50	3.00	1.50	4.00	4.50	2.00	5/8"-11	11.04	6000 (420)
2"	BT64-200-*	1.75	3.81	3.38	1.94	3.00	1.50	5.00	5.00	2.50	3/4"-10	14.41	6000 (420)

\* INSERT 'V' TO INDICATE OPTIONAL VITON 'O' RING FOR #4 SAE PLUG

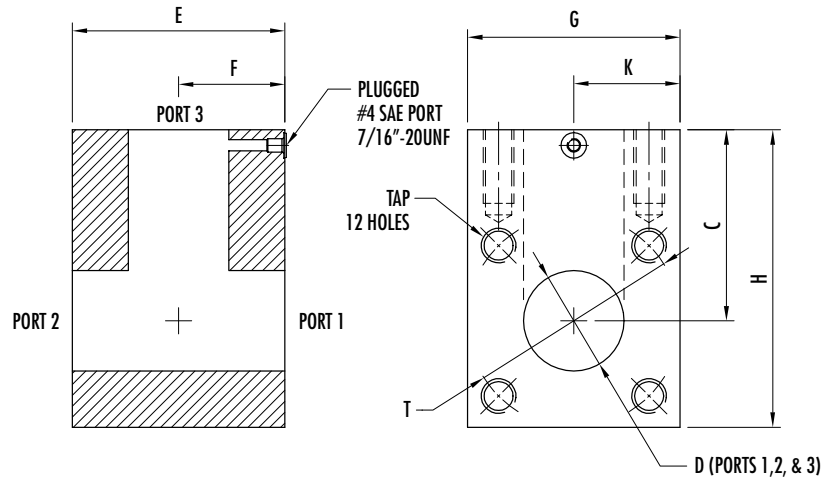
• OTHER BLOCK TEES ARE AVAILABLE (CONSULT FACTORY)

MATERIAL: CARBON STEEL, YELLOW ZINC DICHROMATE PLATED, (STAINLESS STEEL AVAILABLE)



# Block Tee

ISO 6164 Flange Style



## BT74 Block Tee - ISO 6164 Flat Face With Tapped Holes

Complete With #4 SAE Port (Plugged)

Size	Tee Part No.	Dimensions (in)								Tap UNC-2B	WT. lbs/pc	Working Pressure PSI (bar)
		T	C	D	E	F	G	H	K			
2 1/2"	BT74-250-*	4.65	4.00	2.38	5.00	2.50	5.00	6.50	2.50	3/4"-10	33.60	5800 (400)
3"	BT74-300-*	5.71	5.00	2.88	6.00	3.00	6.00	8.00	3.00	1"-8	58.30	5800 (400)
4"	BT74-400-*	6.89	5.50	3.50	7.00	3.50	7.00	9.00	3.50	1 1/8"-7	86.00	5800 (400)

\* INSERT 'V' TO INDICATE OPTIONAL VITON 'O' RING FOR #4 SAE PLUG

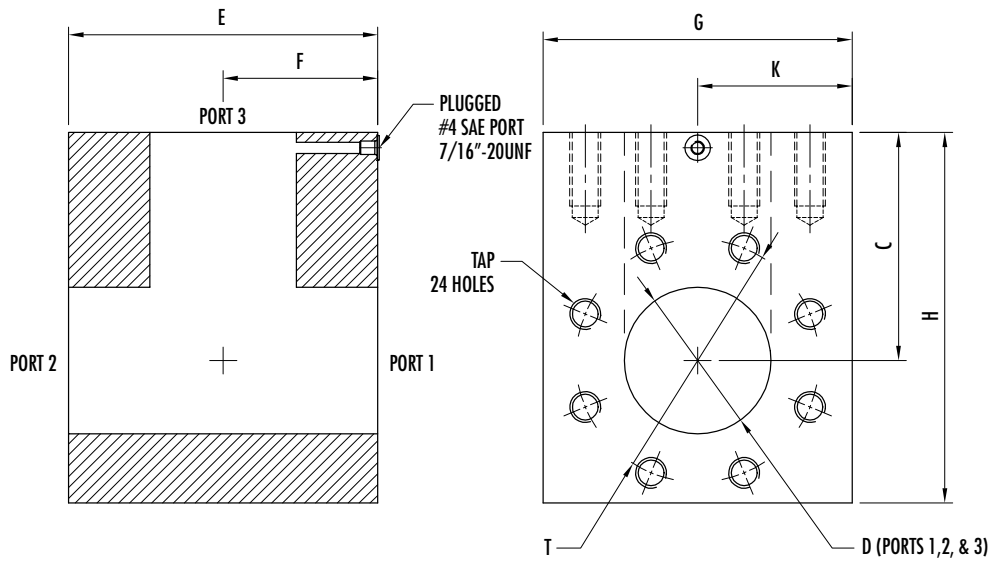
• OTHER BLOCK TEES ARE AVAILABLE (CONSULT FACTORY)

**MATERIAL:** CARBON STEEL, YELLOW ZINC DICHROMATE PLATED, (STAINLESS STEEL AVAILABLE)



# Block Tee

TMI® 8-Bolt Flange Style



## BT48 Block Tee - TMI® 8-Bolt Flat Face With Tapped Holes

Complete With #4 SAE Port (Plugged)

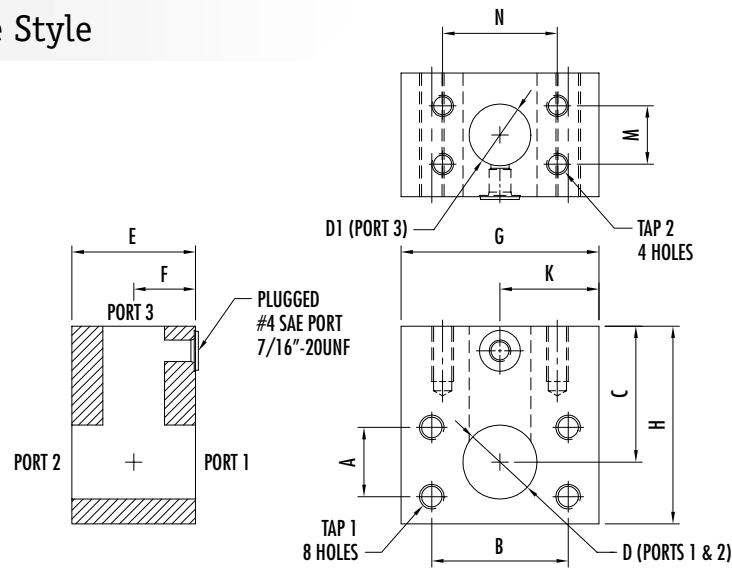
Size	Tee Part No.	Dimensions (in)								Tap UNC-2B	WT. lbs/pc	Working Pressure PSI (bar)
		T	C	D	E	F	G	H	K			
5"	BT48-500-*	7.88	7.13	4.00	9.75	4.88	9.75	12.00	4.88	1"-8	257.00	4000 (275)
6"	BT48-600-*	9.65	8.00	4.90	11.88	5.94	11.88	14.00	5.94	1 1/8"-7	456.00	3700 (255)
8"	BT48-800-*	12.40	10.25	6.81	15.00	7.50	15.00	18.00	7.50	1 1/2"-6	940.00	3500 (240)

- FOR SIZES 10" OR LARGER CONSULT FACTORY
  - \* INSERT 'V' TO INDICATE OPTIONAL VITON 'O' RING FOR #4 SAE PLUG
  - OTHER BLOCK TEES ARE AVAILABLE (CONSULT FACTORY)
- MATERIAL:** CARBON STEEL, PRIME PAINTED, (STAINLESS STEEL AVAILABLE)



# Reducing Branch Block Tee

SAE Code 61 Flange Style



## BTR34 Reducing Branch Block Tee - SAE Code 61 Flat Face With Tapped Holes Complete With #4 SAE Port (Plugged)

Size (run x branch)	Tee Part No.	Dimensions (in)											Tap 1 UNC-2B	Tap 2 UNC-2B	WT. lbs/pc	Working Pressure PSI (bar)	
		A	B	C	D	D1	E	F	G	H	K	M					N
3/4"x1/2"	BTR34-075x050-*	0.88	1.88	2.25	0.75	0.50	2.00	1.00	3.00	3.25	1.50	0.69	1.50	3/8"-16	5/16"-18	5.00	5000 (350)
1"x1/2"	BTR34-100x050-*	1.03	2.06	2.25	0.94	0.50	2.00	1.00	3.00	3.25	1.50	0.69	1.50	3/8"-16	5/16"-18	5.00	5000 (350)
1"x3/4"	BTR34-100x075-*	1.03	2.06	2.25	0.94	0.75	2.00	1.00	3.00	3.25	1.50	0.88	1.88	3/8"-16	3/8"-16	5.00	5000 (350)
1 1/4"x1/2"	BTR34-125x050-*	1.19	2.31	2.75	1.25	0.50	2.25	1.13	3.00	4.00	1.50	0.69	1.50	7/16"-14	5/16"-18	5.80	4000 (275)
1 1/4"x3/4"	BTR34-125x075-*	1.19	2.31	2.75	1.25	0.75	2.25	1.13	3.00	4.00	1.50	0.88	1.88	7/16"-14	3/8"-16	5.80	4000 (275)
1 1/4"x1"	BTR34-125x100-*	1.19	2.31	2.75	1.25	0.94	2.25	1.13	3.00	4.00	1.50	1.03	2.06	7/16"-14	3/8"-16	5.80	4000 (275)
1 1/2"x1/2"	BTR34-150x050-*	1.41	2.75	2.75	1.50	0.50	2.50	1.25	4.00	4.00	2.00	0.69	1.50	1/2"-13	5/16"-18	8.90	3000 (210)
1 1/2"x3/4"	BTR34-150x075-*	1.41	2.75	2.75	1.50	0.75	2.50	1.25	4.00	4.00	2.00	0.88	1.88	1/2"-13	3/8"-16	8.75	3000 (210)
1 1/2"x1"	BTR34-150x100-*	1.41	2.75	2.75	1.50	0.94	2.50	1.25	4.00	4.00	2.00	1.03	2.06	1/2"-13	3/8"-16	8.60	3000 (210)
1 1/2"x1 1/4"	BTR34-150x125-*	1.41	2.75	2.75	1.50	1.25	2.50	1.25	4.00	4.00	2.00	1.19	2.31	1/2"-13	7/16"-14	8.50	3000 (210)
2"x1/2"	BTR34-200x050-*	1.69	3.06	3.00	1.94	0.50	3.00	1.50	4.00	4.50	2.00	0.69	1.50	1/2"-13	5/16"-18	10.00	3000 (210)
2"x3/4"	BTR34-200x075-*	1.69	3.06	3.00	1.94	0.75	3.00	1.50	4.00	4.50	2.00	0.88	1.88	1/2"-13	3/8"-16	10.00	3000 (210)
2"x1"	BTR34-200x100-*	1.69	3.06	3.00	1.94	0.94	3.00	1.50	4.00	4.50	2.00	1.03	2.06	1/2"-13	3/8"-16	10.00	3000 (210)
2"x1 1/4"	BTR34-200x125-*	1.69	3.06	3.00	1.94	1.25	3.00	1.50	4.00	4.50	2.00	1.19	2.31	1/2"-13	7/16"-14	10.00	3000 (210)
2"x1 1/2"	BTR34-200x150-*	1.69	3.06	3.00	1.94	1.50	3.00	1.50	4.00	4.50	2.00	1.41	2.75	1/2"-13	1/2"-13	10.00	3000 (210)
2 1/2"x1/2"	BTR34-250x050-*	2.00	3.50	3.25	2.38	0.50	3.50	1.75	5.00	5.00	2.50	0.69	1.50	1/2"-13	5/16"-18	14.00	2500 (175)
2 1/2"x3/4"	BTR34-250x075-*	2.00	3.50	3.25	2.38	0.75	3.50	1.75	5.00	5.00	2.50	0.88	1.88	1/2"-13	3/8"-16	13.70	2500 (175)
2 1/2"x1"	BTR34-250x100-*	2.00	3.50	3.25	2.38	0.94	3.50	1.75	5.00	5.00	2.50	1.03	2.06	1/2"-13	3/8"-16	16.10	2500 (175)
2 1/2"x1 1/4"	BTR34-250x125-*	2.00	3.50	3.25	2.38	1.25	3.50	1.75	5.00	5.00	2.50	1.19	2.31	1/2"-13	7/16"-14	15.90	2500 (175)
2 1/2"x1 1/2"	BTR34-250x150-*	2.00	3.50	3.25	2.38	1.50	3.50	1.75	5.00	5.00	2.50	1.41	2.75	1/2"-13	1/2"-13	15.70	2500 (175)
2 1/2"x2"	BTR34-250x200-*	2.00	3.50	3.25	2.38	1.94	3.50	1.75	5.00	5.00	2.50	1.69	3.06	1/2"-13	1/2"-13	14.90	2500 (175)
3"x1/2"	BTR34-300x050-*	2.44	4.19	3.75	2.88	0.50	4.00	2.00	5.50	6.00	2.75	0.69	1.50	5/8"-11	5/16"-18	22.42	2000 (140)
3"x3/4"	BTR34-300x075-*	2.44	4.19	3.75	2.88	0.75	4.00	2.00	5.50	6.00	2.75	0.88	1.88	5/8"-11	3/8"-16	22.12	2000 (140)
3"x1"	BTR34-300x100-*	2.44	4.19	3.75	2.88	0.94	4.00	2.00	5.50	6.00	2.75	1.03	2.06	5/8"-11	3/8"-16	21.86	2000 (140)
3"x1 1/4"	BTR34-300x125-*	2.44	4.19	3.75	2.88	1.25	4.00	2.00	5.50	6.00	2.75	1.19	2.31	5/8"-11	7/16"-14	21.55	2000 (140)
3"x1 1/2"	BTR34-300x150-*	2.44	4.19	3.75	2.88	1.50	4.00	2.00	5.50	6.00	2.75	1.41	2.75	5/8"-11	1/2"-13	21.10	2000 (140)
3"x2"	BTR34-300x200-*	2.44	4.19	3.75	2.88	1.94	4.00	2.00	5.50	6.00	2.75	1.69	3.06	5/8"-11	1/2"-13	31.78	2000 (140)
3"x2 1/2"	BTR34-300x250-*	2.44	4.19	3.75	2.88	2.38	4.00	2.00	5.50	6.00	2.75	2.00	3.50	5/8"-11	1/2"-13	26.55	2000 (140)

\* INSERT 'V' TO INDICATE OPTIONAL VITON 'O' RING FOR #4 SAE PLUG

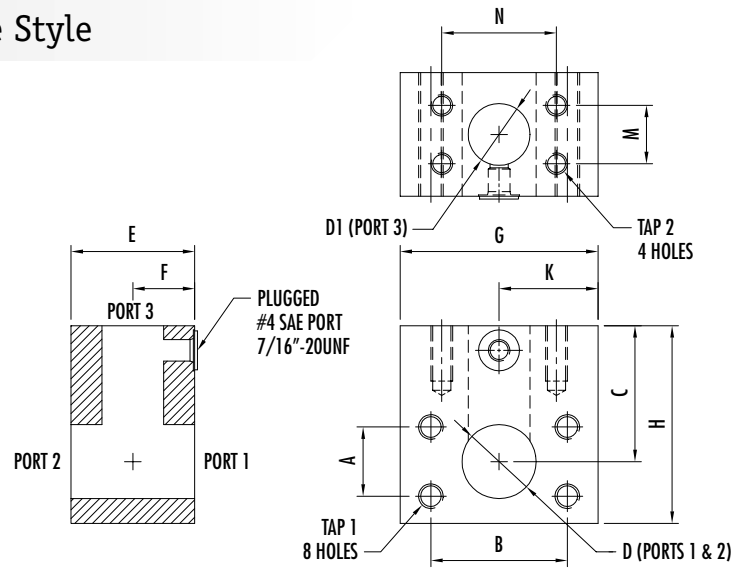
• OTHER BLOCK TEES ARE AVAILABLE (CONSULT FACTORY)

**MATERIAL:** CARBON STEEL, YELLOW ZINC DICHROMATE PLATED, (STAINLESS STEEL AVAILABLE)



# Reducing Branch Block Tee

SAE Code 62 Flange Style



## BTR64 Reducing Branch Block Tee - SAE Code 62 Flat Face With Tapped Holes

Complete With #4 SAE Port (Plugged)

Size (run x branch)	Tee Part No.	Dimensions (in)											Tap 1 UNC-2B	Tap 2 UNC-2B	WT. lbs/pc	Working Pressure PSI (bar)	
		A	B	C	D	D1	E	F	G	H	K	M					N
3/4"x1/2"	BTR64-075x050-*	0.94	2.00	2.25	0.75	0.50	2.00	1.00	3.00	3.25	1.50	0.72	1.59	3/8"-16	5/16"-18	5.20	6000 (420)
1"x1/2"	BTR64-100x050-*	1.09	2.25	2.50	0.94	0.50	2.25	1.13	3.00	4.00	1.50	0.72	1.59	7/16"-14	5/16"-18	5.20	6000 (420)
1"x3/4"	BTR64-100x075-*	1.09	2.25	2.50	0.94	0.75	2.25	1.13	3.00	4.00	1.50	0.94	2.00	7/16"-14	3/8"-16	5.20	6000 (420)
1 1/4"x1/2"	BTR64-125x050-*	1.25	2.63	2.75	1.25	0.50	2.50	1.25	4.00	4.00	2.00	0.72	1.59	1/2"-13	5/16"-18	10.00	6000 (420)
1 1/4"x3/4"	BTR64-125x075-*	1.25	2.63	2.75	1.25	0.75	2.50	1.25	4.00	4.00	2.00	0.94	2.00	1/2"-13	3/8"-16	10.00	6000 (420)
1 1/4"x1"	BTR64-125x100-*	1.25	2.63	2.75	1.25	0.94	2.50	1.25	4.00	4.00	2.00	1.09	2.25	1/2"-13	7/16"-14	10.00	6000 (420)
1 1/2"x1/2"	BTR64-150x050-*	1.44	3.13	3.00	1.50	0.50	3.00	1.50	4.00	4.50	2.00	0.72	1.59	5/8"-11	5/16"-18	11.30	6000 (420)
1 1/2"x3/4"	BTR64-150x075-*	1.44	3.13	3.00	1.50	0.75	3.00	1.50	4.00	4.50	2.00	0.94	2.00	5/8"-11	3/8"-16	11.30	6000 (420)
1 1/2"x1"	BTR64-150x100-*	1.44	3.13	3.00	1.50	0.94	3.00	1.50	4.00	4.50	2.00	1.09	2.25	5/8"-11	7/16"-14	11.30	6000 (420)
1 1/2"x1 1/4"	BTR64-150x125-*	1.44	3.13	3.00	1.50	1.25	3.00	1.50	4.00	4.50	2.00	1.25	2.63	5/8"-11	1/2"-13	11.30	6000 (420)
2"x1/2"	BTR64-200x050-*	1.75	3.81	3.38	1.94	0.50	3.00	1.50	5.00	5.00	2.50	0.72	1.59	3/4"-10	5/16"-18	14.80	6000 (420)
2"x3/4"	BTR64-200x075-*	1.75	3.81	3.38	1.94	0.75	3.00	1.50	5.00	5.00	2.50	0.94	2.00	3/4"-10	3/8"-16	14.80	6000 (420)
2"x1"	BTR64-200x100-*	1.75	3.81	3.38	1.94	0.94	3.00	1.50	5.00	5.00	2.50	1.09	2.25	3/4"-10	7/16"-14	14.80	6000 (420)
2"x1 1/4"	BTR64-200x125-*	1.75	3.81	3.38	1.94	1.25	3.00	1.50	5.00	5.00	2.50	1.25	2.63	3/4"-10	1/2"-13	14.80	6000 (420)
2"x1 1/2"	BTR64-200x150-*	1.75	3.81	3.38	1.94	1.50	3.00	1.50	5.00	5.00	2.50	1.44	3.13	3/4"-10	5/8"-11	14.80	6000 (420)

\* INSERT 'V' TO INDICATE OPTIONAL VITON 'O' RING FOR #4 SAE PLUG

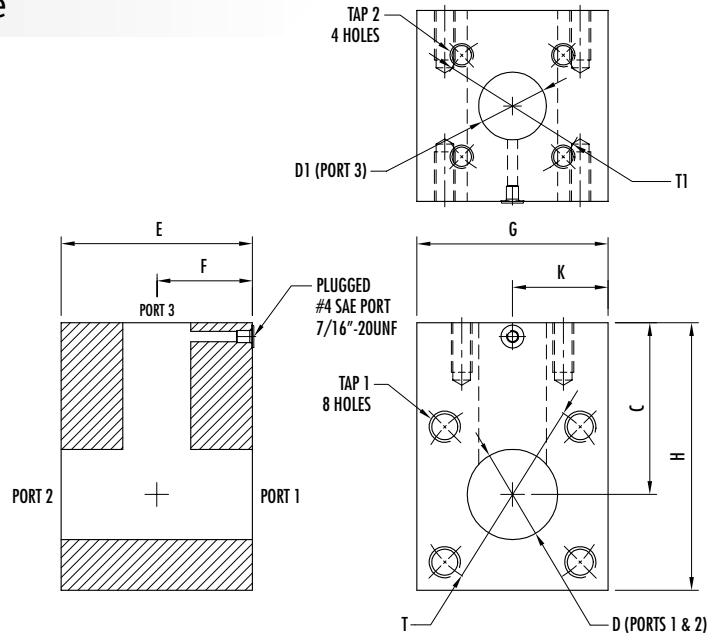
• OTHER BLOCK TEES ARE AVAILABLE (CONSULT FACTORY)

**MATERIAL:** CARBON STEEL, YELLOW ZINC DICHROMATE PLATED, (STAINLESS STEEL AVAILABLE)



# Reducing Branch Block Tee

ISO 6164 Flange Style



## BTR74 Reducing Branch Block Tee - ISO 6164 Flat Face With Tapped Holes Complete With #4 SAE Port (Plugged)

Size (run x branch)	Tee Part No.	Dimensions (in)										Tap 1 UNC-2B	Tap 2 UNC-2B	WT. lbs/pc	Working Pressure PSI (bar)
		T	T1	C	D	D1	E	F	G	H	K				
3"x2 1/2"	BTR74-300x250-*	5.71	4.65	5.00	2.88	2.38	6.00	3.00	6.00	8.00	3.00	1"-8	3/4"-10	60.25	5800 (400)
4"x2 1/2"	BTR74-400x250-*	6.89	4.65	5.50	3.50	2.38	7.00	3.50	7.00	9.00	3.50	1 1/8"-7	3/4"-10	91.03	5800 (400)
4"x3"	BTR74-400x300-*	6.89	5.71	5.50	3.50	2.88	7.00	3.50	7.00	9.00	3.50	1 1/8"-7	1"-8	89.50	5800 (400)

\* INSERT 'V' TO INDICATE OPTIONAL VITON 'O' RING FOR #4 SAE PLUG

• OTHER BLOCK TEES ARE AVAILABLE (CONSULT FACTORY)

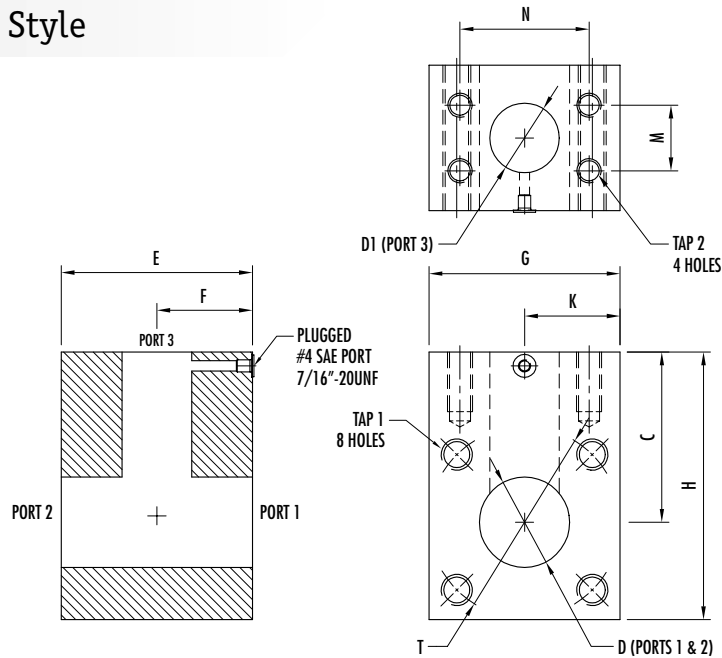
**MATERIAL:** CARBON STEEL, YELLOW ZINC DICHROMATE PLATED, (STAINLESS STEEL AVAILABLE)





# Reducing Branch Block Tee

ISO 6164/SAE Flange Style



## BTR7-34 Reducing Branch Block Tee - ISO 6164/SAE Code 61 Flat Face With Tapped Holes Complete With #4 SAE Port (Plugged)

Size (run x branch)	Tee Part No.	Dimensions (in)											Tap 1 UNC-2B	Tap 2 UNC-2B	WT. lbs/pc	Working Pressure PSI (bar)
		T	C	D	DI	E	F	G	H	K	M	N				
2 1/2"x2"	BTR7-34-250x200-*	4.65	4.00	2.38	1.94	5.00	2.50	5.00	6.50	2.50	1.69	3.06	3/4"-10	1/2"-13	35.88	3000 (210)
3"x2"	BTR7-34-300x200-*	5.71	5.00	2.88	1.94	6.00	3.00	6.00	8.00	3.00	1.69	3.06	1"-8	1/2"-13	61.40	3000 (210)
4"x2"	BTR7-34-400x200-*	6.89	5.50	3.50	1.94	7.00	3.50	7.00	9.00	3.50	1.69	3.06	1 1/8"-7	1/2"-13	93.50	3000 (210)

## BTR7-64 Reducing Branch Block Tee - ISO 6164/SAE Code 62 Flat Face With Tapped Holes Complete With #4 SAE Port (Plugged)

Size (run x branch)	Tee Part No.	Dimensions (in)											Tap 1 UNC-2B	Tap 2 UNC-2B	WT. lbs/pc	Working Pressure PSI (bar)
		T	C	D	DI	E	F	G	H	K	M	N				
2 1/2"x2"	BTR7-64-250x200-*	4.65	4.00	2.38	1.94	5.00	2.50	5.00	6.50	2.50	1.75	3.81	3/4"-10	3/4"-10	35.88	5800 (400)
3"x2"	BTR7-64-300x200-*	5.71	5.00	2.88	1.94	6.00	3.00	6.00	8.00	3.00	1.75	3.81	1"-8	3/4"-10	61.40	5800 (400)
4"x2"	BTR7-64-400x200-*	6.89	5.50	3.50	1.94	7.00	3.50	7.00	9.00	3.50	1.75	3.81	1 1/8"-7	3/4"-10	93.50	5800 (400)

\* INSERT 'V' TO INDICATE OPTIONAL VITON 'O' RING FOR #4 SAE PLUG

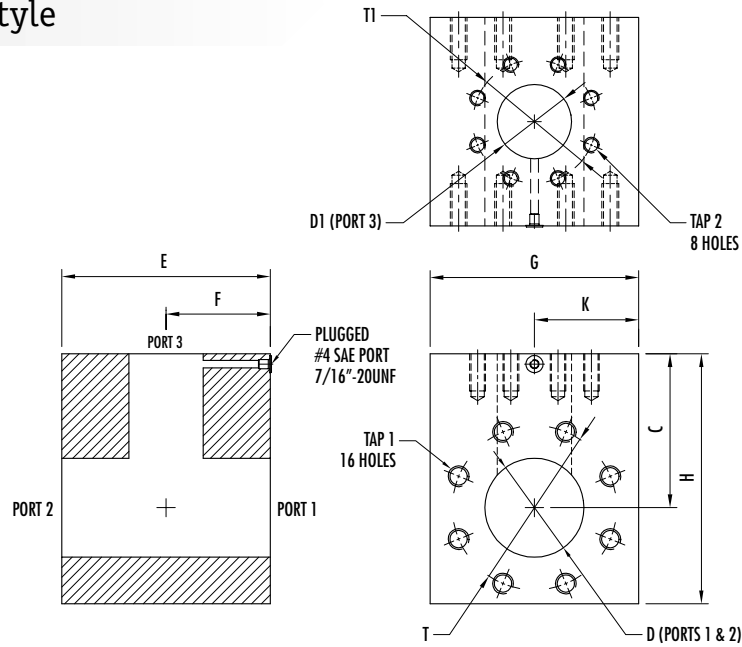
• OTHER BLOCK TEES ARE AVAILABLE (CONSULT FACTORY)

**MATERIAL:** CARBON STEEL, YELLOW ZINC DICHROMATE PLATED, (STAINLESS STEEL AVAILABLE)



# Reducing Branch Block Tee

TMI® 8-Bolt Flange Style



## BTR48 Reducing Branch Block Tee - TMI® 8-Bolt Flat Face With Tapped Holes

Complete With #4 SAE Port (Plugged)

Size (run x branch)	Tee Part No.	Dimensions (in)										Tap 1 UNC-2B	Tap 2 UNC-2B	WT. lbs/pc	Working Pressure PSI (bar)
		T	T1	C	D	D1	E	F	G	H	K				
6"x5"	BTR48-600x500-*	9.65	7.88	8.00	4.90	4.00	10.00	5.00	11.88	14.00	5.94	1 1/8"-7	1"-8	445.20	3700 (255)
8"x5"	BTR48-800x500-*	12.40	7.88	9.25	6.81	4.00	10.00	5.00	15.00	17.00	7.50	1 1/2"-6	1"-8	731.90	3500 (240)
8"x6"	BTR48-800x600-*	12.40	9.65	9.25	6.81	4.90	12.00	6.00	15.00	17.00	7.50	1 1/2"-6	1 1/8"-7	845.60	3500 (240)

\* INSERT 'V' TO INDICATE OPTIONAL VITON 'O' RING FOR #4 SAE PLUG

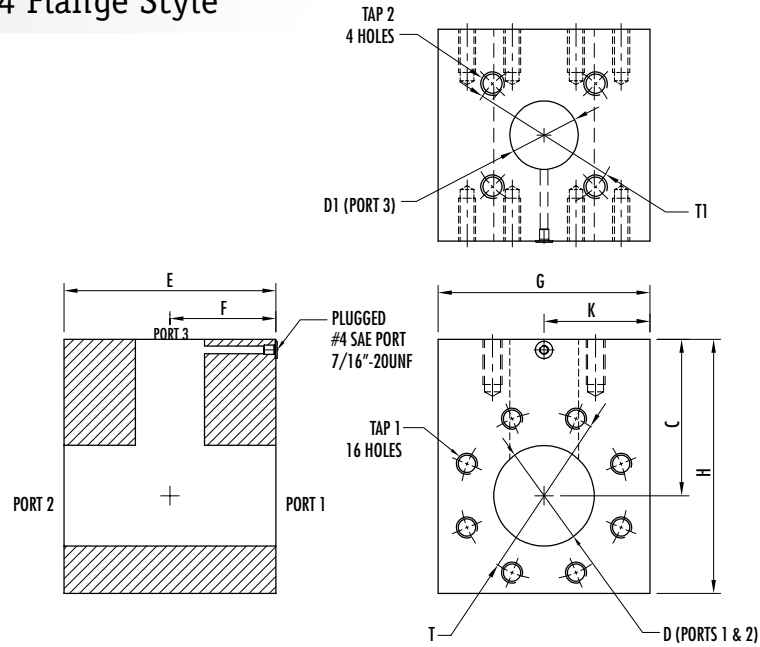
• OTHER BLOCK TEES ARE AVAILABLE (CONSULT FACTORY)

**MATERIAL:** CARBON STEEL, PRIME PAINTED, (STAINLESS STEEL AVAILABLE)



# Reducing Branch Block Tee

TMI® 8-Bolt/ISO 6164 Flange Style



## BTR4-74 Reducing Branch Block Tee - TMI® 8-Bolt/ISO 6164 Flat Face With Tapped Holes Complete With #4 SAE Port (Plugged)

Size (run x branch)	Tee Part No.	Dimensions (in)										Tap 1 UNC-2B	Tap 2 UNC-2B	WT. lbs/pc	Working Pressure PSI (bar)
		T	T1	C	D	D1	E	F	G	H	K				
5"x3"	BTR4-74-500x300-*	7.88	5.71	6.13	4.00	2.88	7.00	3.50	9.75	11.00	4.88	1"-8	1"-8	243.00	4000 (275)
5"x4"	BTR4-74-500x400-*	7.88	6.89	6.13	4.00	3.50	8.00	4.00	9.75	11.00	4.88	1"-8	1 1/8"-7	240.00	4000 (275)
6"x4"	BTR4-74-600x400-*	9.65	6.89	8.00	4.90	3.50	8.00	4.00	11.88	14.00	5.94	1 1/8"-7	1 1/8"-7	460.30	3700 (255)
8"x4"	BTR4-74-800x400-*	12.40	6.89	9.25	6.81	3.50	9.00	4.50	15.00	17.00	7.50	1 1/2"-6	1 1/8"-7	785.60	3500 (240)

\* INSERT 'V' TO INDICATE OPTIONAL VITON 'O' RING FOR #4 SAE PLUG

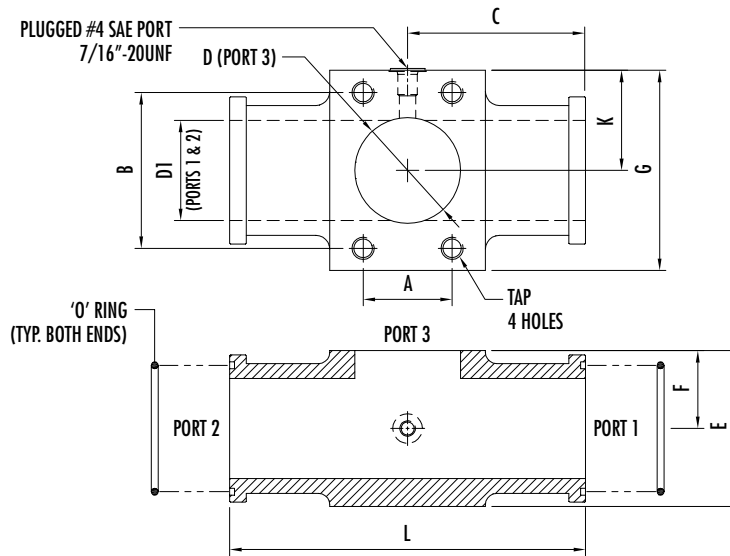
• OTHER BLOCK TEES ARE AVAILABLE (CONSULT FACTORY)

**MATERIAL:** CARBON STEEL, PRIME PAINTED, (STAINLESS STEEL AVAILABLE)



# Split Flange Tee

SAE Code 61 Flange Style - Body Only



## SFT34 Split Flange Tee - SAE Code 61 Flat Face With Tapped Holes

Complete With Buna 'O' Rings (Standard) and #4 SAE Port (Plugged)

Size	Tee Part No.	Dimensions (in)										Tap UNC-2B	'O' Ring (Buna) Part No.	WT. lbs/pc	Working Pressure PSI (bar)
		A	B	C	D	D1	E	F	G	K	L				
1/2"	SFT34-050-*	0.69	1.50	2.50	0.50	0.38	2.00	1.00	2.50	1.25	5.00	5/16"-18	OR*-2-210	3.72	5000 (350)
3/4"	SFT34-075-*	0.88	1.88	2.75	0.75	0.63	2.00	1.00	3.00	1.50	5.50	3/8"-16	OR*-2-214	4.46	5000 (350)
1"	SFT34-100-*	1.03	2.06	2.75	0.94	0.88	2.00	1.00	3.00	1.50	5.50	3/8"-16	OR*-2-219	4.10	5000 (350)
1 1/4"	SFT34-125-*	1.19	2.31	3.13	1.25	1.13	2.25	1.13	3.00	1.50	6.25	7/16"-14	OR*-2-222	4.75	4000 (275)
1 1/2"	SFT34-150-*	1.41	2.75	3.25	1.50	1.38	2.50	1.25	4.00	2.00	6.50	1/2"-13	OR*-2-225	7.25	3000 (210)
2"	SFT34-200-*	1.69	3.06	3.50	1.94	1.88	3.00	1.50	4.00	2.00	7.00	1/2"-13	OR*-2-228	9.70	3000 (210)
2 1/2"	SFT34-250-*	2.00	3.50	4.00	2.38	2.38	3.50	1.75	4.50	2.25	8.00	1/2"-13	OR*-2-232	14.25	2500 (175)
3"	SFT34-300-*	2.44	4.19	4.50	2.88	2.88	4.00	2.00	5.50	2.75	9.00	5/8"-11	OR*-2-237	22.70	2000 (140)

\* INSERT 'V' TO INDICATE OPTIONAL VITON 'O' RINGS

- OTHER SPLIT FLANGE TEES ARE AVAILABLE (CONSULT FACTORY)
- TO ORDER COMPLETE ASSEMBLY REFERENCE PAGE H13
- FOR SPLIT FLANGES REFERENCE PAGE N20

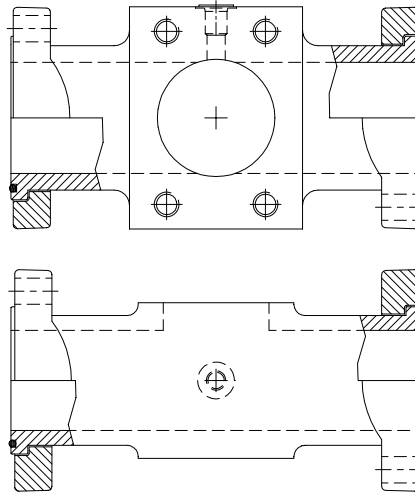
**MATERIAL:** CARBON STEEL, YELLOW ZINC DICHROMATE PLATED, (STAINLESS STEEL AVAILABLE)



# Split Flange Tee Assembly

SAE Code 61 Flange Style

## Typical A/SFT34 Assembly



### COMPLETE ASSEMBLY CONSISTS OF:

- SAE CODE 61 SPLIT FLANGE TEE BODY (REF. PAGE H12)
- TWO SETS (4 HALVES) SAE CODE 61 SPLIT FLANGES (REF. PAGE N20)
- TWO (2) BUNA 'O' RINGS (STANDARD)
- TWO (2) COMPONENT BOLT KITS

## A/SFT34 Split Flange Tee - SAE Code 61 Assembly

Size	Complete Assembly Part No.	WT. (Assembly) lbs/pc
1/2"	A/SFT34-050-*	4.48
3/4"	A/SFT34-075-*	5.60
1"	A/SFT34-100-*	5.40
1 1/4"	A/SFT34-125-*	6.53
1 1/2"	A/SFT34-150-*	10.13
2"	A/SFT34-200-*	12.82
2 1/2"	A/SFT34-250-*	18.51
3"	A/SFT34-300-*	30.00

\* INSERT ' V ' TO INDICATE OPTIONAL VITON 'O' RINGS

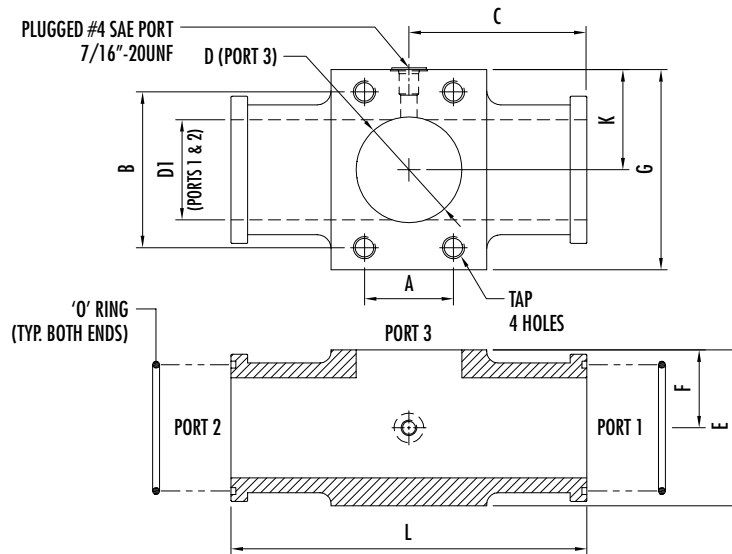
- ASSEMBLY WORKING PRESSURE RATINGS ARE SUBJECT TO THE LESSER OF THE FLANGE OR BODY RATINGS
- SEE REFERENCE PAGES INDICATED ABOVE FOR PRESSURE RATINGS

**MATERIAL:** CARBON STEEL, YELLOW ZINC DICHROMATE PLATED, (STAINLESS STEEL AVAILABLE)



# Split Flange Tee

SAE Code 62 Flange Style - Body Only



## SFT64 Split Flange Tee - SAE Code 62 Flat Face With Tapped Holes

Complete With Buna 'O' Rings (Standard) and #4 SAE Port (Plugged)

Size	Tee Part No.	Dimensions (in)										Tap UNC-2B	'O' Ring (Buna) Part No.	WT. lbs/pc	Working Pressure PSI (bar)
		A	B	C	D	D1	E	F	G	K	L				
1/2"	SFT64-050-*	0.72	1.59	2.75	0.50	0.38	2.00	1.00	2.50	1.25	5.50	5/16"-18	OR*-2-210	3.80	6000 (420)
3/4"	SFT64-075-*	0.94	2.00	3.00	0.75	0.63	2.00	1.00	3.00	1.50	6.00	3/8"-16	OR*-2-214	4.70	6000 (420)
1"	SFT64-100-*	1.09	2.25	3.38	0.94	0.88	2.25	1.13	3.00	1.50	6.75	7/16"-14	OR*-2-219	5.30	6000 (420)
1 1/4"	SFT64-125-*	1.25	2.63	3.50	1.25	1.13	2.50	1.25	4.00	2.00	7.00	1/2"-13	OR*-2-222	7.55	6000 (420)
1 1/2"	SFT64-150-*	1.44	3.13	4.25	1.50	1.38	3.00	1.50	4.00	2.00	8.50	5/8"-11	OR*-2-225	11.05	6000 (420)
2"	SFT64-200-*	1.75	3.81	4.75	1.94	1.88	3.00	1.50	5.00	2.50	9.50	3/4"-10	OR*-2-228	15.05	6000 (420)

- \* INSERT 'V' TO INDICATE OPTIONAL VITON 'O' RINGS
- OTHER SPLIT FLANGE TEES ARE AVAILABLE (CONSULT FACTORY)
- TO ORDER COMPLETE ASSEMBLY REFERENCE PAGE H15
- FOR SPLIT FLANGES REFERENCE PAGE N20

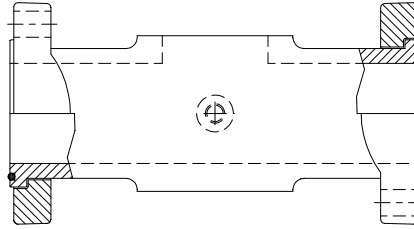
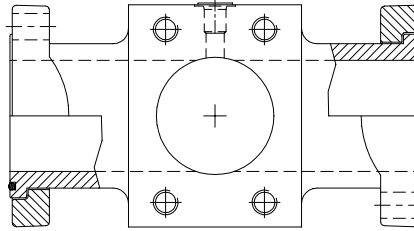
**MATERIAL:** CARBON STEEL, YELLOW ZINC DICHROMATE PLATED, (STAINLESS STEEL AVAILABLE)



# Split Flange Tee Assembly

SAE Code 62 Flange Style

## Typical A/SFT64 Assembly



### COMPLETE ASSEMBLY CONSISTS OF:

- SAE CODE 62 SPLIT FLANGE TEE BODY (REF. PAGE H14)
- TWO SETS (4 HALVES) SAE CODE 62 SPLIT FLANGES (REF. PAGE N20)
- TWO (2) BUNA 'O' RINGS (STANDARD)
- TWO (2) COMPONENT BOLT KITS

## A/SFT64 Split Flange Tee - SAE Code 62 Assembly

Size	Complete Assembly Part No.	WT. (Assembly) lbs/pc
1/2"	A/SFT64-050-*	4.90
3/4"	A/SFT64-075-*	6.56
1"	A/SFT64-100-*	8.22
1 1/4"	A/SFT64-125-*	12.07
1 1/2"	A/SFT64-150-*	18.87
2"	A/SFT64-200-*	28.01

\* INSERT ' V ' TO INDICATE OPTIONAL VITON 'O' RINGS

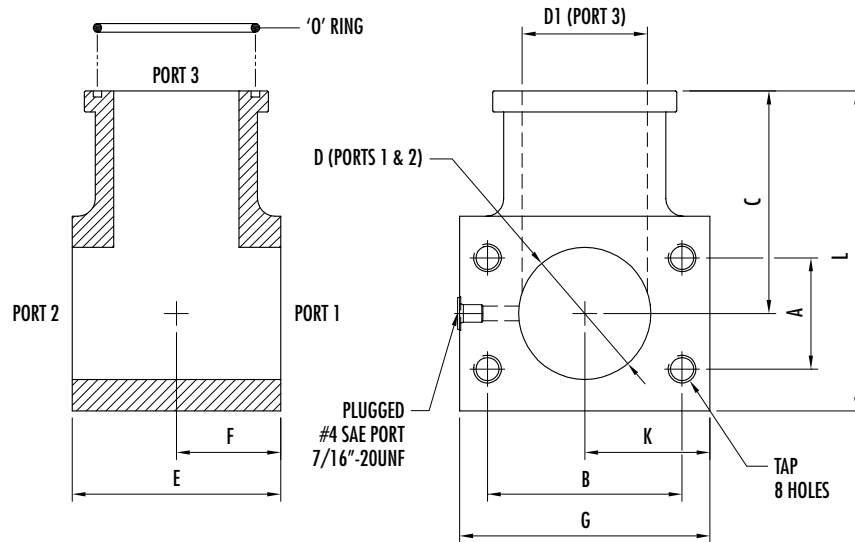
- ASSEMBLY WORKING PRESSURE RATINGS ARE SUBJECT TO THE LESSER OF THE FLANGE OR BODY RATINGS
- SEE REFERENCE PAGES INDICATED ABOVE FOR PRESSURE RATINGS

**MATERIAL:** CARBON STEEL, YELLOW ZINC DICHROMATE PLATED, (STAINLESS STEEL AVAILABLE)



# Split Flange Branch Tee

SAE Code 61 Flange Style - Body Only



## SFBT34 Split Flange Branch Tee - SAE Code 61 Flat Face With Tapped Holes

Complete With Buna 'O' Ring (Standard) and #4 SAE Port (Plugged)

Size	Tee Part No.	Dimensions (in)										Tap UNC-2B	'O' Ring (Buna) Part No.	WT. lbs/pc	Working Pressure PSI (bar)
		A	B	C	D	D1	E	F	G	K	L				
1/2"	SFBT34-050-*	0.69	1.50	2.50	0.50	0.38	2.00	1.00	2.50	1.25	3.50	5/16"-18	OR*-2-210	2.90	5000 (350)
3/4"	SFBT34-075-*	0.88	1.88	2.75	0.75	0.63	2.00	1.00	3.00	1.50	3.75	3/8"-16	OR*-2-214	3.40	5000 (350)
1"	SFBT34-100-*	1.03	2.06	2.75	0.94	0.88	2.00	1.00	3.00	1.50	3.75	3/8"-16	OR*-2-219	3.40	5000 (350)
1 1/4"	SFBT34-125-*	1.19	2.31	3.13	1.25	1.13	2.25	1.13	3.00	1.50	4.25	7/16"-14	OR*-2-222	3.90	4000 (275)
1 1/2"	SFBT34-150-*	1.41	2.75	3.25	1.50	1.38	2.50	1.25	4.00	2.00	4.50	1/2"-13	OR*-2-225	6.15	3000 (210)
2"	SFBT34-200-*	1.69	3.06	3.50	1.94	1.88	3.00	1.50	4.00	2.00	5.00	1/2"-13	OR*-2-228	8.25	3000 (210)
2 1/2"	SFBT34-250-*	2.00	3.50	4.00	2.38	2.38	3.50	1.75	4.50	2.25	5.75	1/2"-13	OR*-2-232	12.15	2500 (175)
3"	SFBT34-300-*	2.44	4.19	4.50	2.88	2.88	4.00	2.00	5.50	2.75	6.50	5/8"-11	OR*-2-237	19.40	2000 (140)

\* INSERT 'V' TO INDICATE OPTIONAL VITON 'O' RINGS

- OTHER SPLIT FLANGE TEES ARE AVAILABLE (CONSULT FACTORY)
- TO ORDER COMPLETE ASSEMBLY REFERENCE PAGE H17
- FOR SPLIT FLANGES REFERENCE PAGE N20

**MATERIAL:** CARBON STEEL, YELLOW ZINC DICHROMATE PLATED, (STAINLESS STEEL AVAILABLE)

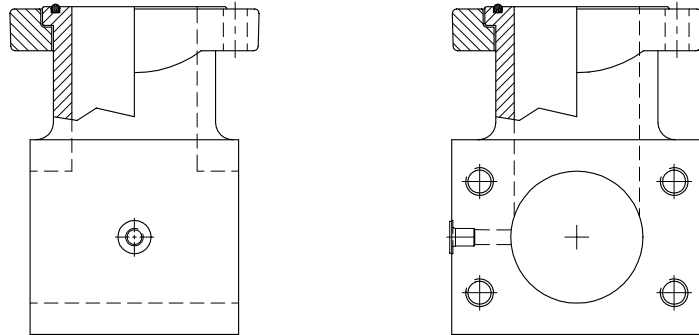




# Split Flange Branch Tee Assembly

SAE Code 61 Flange Style

## Typical A/SFBT34 Assembly



### COMPLETE ASSEMBLY CONSISTS OF:

- SAE CODE 61 SPLIT FLANGE BRANCH TEE BODY (REF. PAGE H16)
- ONE SET (2 HALVES) SAE CODE 61 SPLIT FLANGES (REF. PAGE N20)
- ONE (1) BUNA 'O' RING (STANDARD)
- TWO (2) COMPONENT BOLT KITS

## A/SFBT34 Split Flange Branch Tee - SAE Code 61 Assembly

Size	Complete Assembly Part No.	WT. (Assembly) lbs/pc
1/2"	A/SFBT34-050-*	3.28
3/4"	A/SFBT34-075-*	3.97
1"	A/SFBT34-100-*	4.05
1 1/4"	A/SFBT34-125-*	4.79
1 1/2"	A/SFBT34-150-*	7.59
2"	A/SFBT34-200-*	9.81
2 1/2"	A/SFBT34-250-*	14.28
3"	A/SFBT34-300-*	23.05

\* INSERT ' V ' TO INDICATE OPTIONAL VITON 'O' RINGS

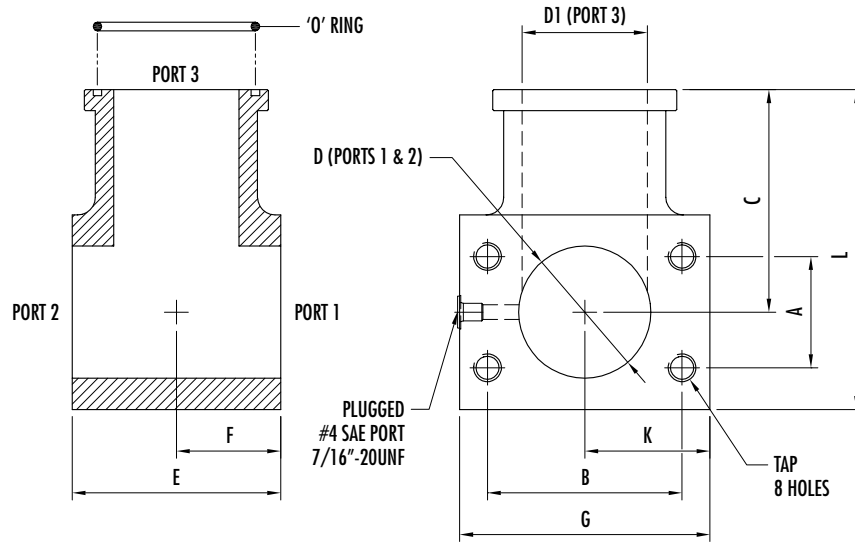
- ASSEMBLY WORKING PRESSURE RATINGS ARE SUBJECT TO THE LESSER OF THE FLANGE OR BODY RATINGS
- SEE REFERENCE PAGES INDICATED ABOVE FOR PRESSURE RATINGS

**MATERIAL:** CARBON STEEL, YELLOW ZINC DICHROMATE PLATED, (STAINLESS STEEL AVAILABLE)



# Split Flange Branch Tee

SAE Code 62 Flange Style - Body Only



## SFBT64 Split Flange Branch Tee - SAE Code 62 Flat Face With Tapped Holes

Complete With Buna 'O' Ring (Standard) and #4 SAE Port (Plugged)

Size	Tee Part No.	Dimensions (in)										Tap UNC-2B	'O' Ring (Buna) Part No.	WT. lbs/pc	Working Pressure PSI (bar)
		A	B	C	D	D1	E	F	G	K	L				
1/2"	SFBT64-050-*	0.72	1.59	2.75	0.50	0.38	2.00	1.00	2.50	1.25	3.75	5/16"-18	OR*-2-210	2.90	6000 (420)
3/4"	SFBT64-075-*	0.94	2.00	3.00	0.75	0.63	2.00	1.00	3.00	1.50	4.00	3/8"-16	OR*-2-214	3.50	6000 (420)
1"	SFBT64-100-*	1.09	2.25	3.38	0.94	0.88	2.25	1.13	3.00	1.50	4.50	7/16"-14	OR*-2-219	4.35	6000 (420)
1 1/4"	SFBT64-125-*	1.25	2.63	3.50	1.25	1.13	2.50	1.25	4.00	2.00	4.75	1/2"-13	OR*-2-222	6.50	6000 (420)
1 1/2"	SFBT64-150-*	1.44	3.13	4.25	1.50	1.38	3.00	1.50	4.00	2.00	5.75	5/8"-11	OR*-2-225	9.35	6000 (420)
2"	SFBT64-200-*	1.75	3.81	4.75	1.94	1.88	3.50	1.75	5.00	2.50	6.25	3/4"-10	OR*-2-228	12.00	6000 (420)

- \* INSERT 'V' TO INDICATE OPTIONAL VITON 'O' RINGS
- OTHER SPLIT FLANGE TEES ARE AVAILABLE (CONSULT FACORY)
- TO ORDER COMPLETE ASSEMBLY REFERENCE PAGE H19
- FOR SPLIT FLANGES REFERENCE PAGE N20

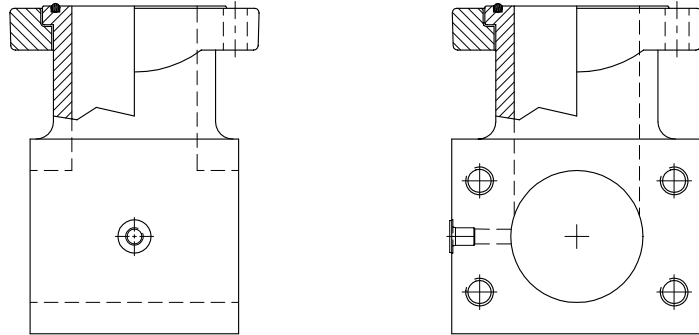
**MATERIAL:** CARBON STEEL, YELLOW ZINC DICHROMATE PLATED, (STAINLESS STEEL AVAILABLE)



# Split Flange Branch Tee Assembly

SAE Code 62 Flange Style

## Typical A/SFBT64 Assembly



### COMPLETE ASSEMBLY CONSISTS OF:

- SAE CODE 62 SPLIT FLANGE BRANCH TEE BODY (REF. PAGE H18)
- ONE SET (2 HALVES) SAE CODE 62 SPLIT FLANGES (REF. PAGE N20)
- ONE (1) BUNA 'O' RING (STANDARD)
- ONE (1) COMPONENT BOLT KIT

## A/SFBT64 Split Flange Branch Tee - SAE Code 62 Assembly

Size	Complete Assembly Part No.	WT. (Assembly) lbs/pc
1/2"	A/SFBT64-050-*	3.45
3/4"	A/SFBT64-075-*	4.43
1"	A/SFBT64-100-*	5.81
1 1/4"	A/SFBT64-125-*	8.76
1 1/2"	A/SFBT64-150-*	13.26
2"	A/SFBT64-200-*	18.48

\* INSERT ' V ' TO INDICATE OPTIONAL VITON 'O' RINGS

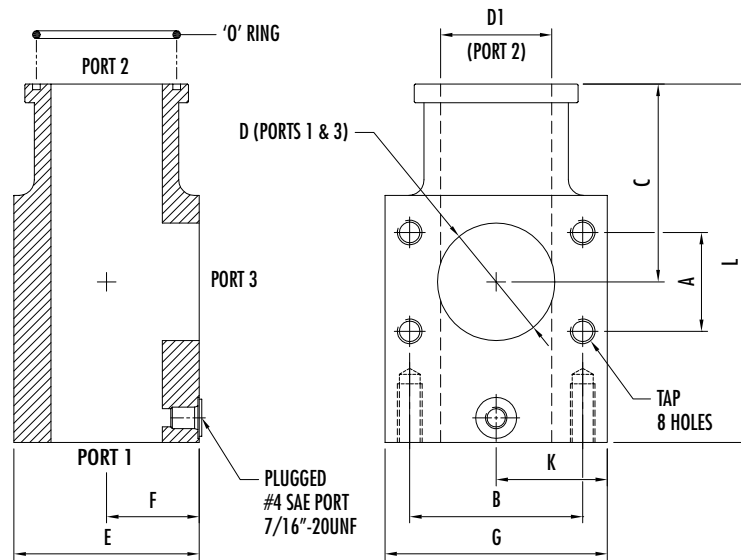
- ASSEMBLY WORKING PRESSURE RATINGS ARE SUBJECT TO THE LESSER OF THE FLANGE OR BODY RATINGS
- SEE REFERENCE PAGES INDICATED ABOVE FOR PRESSURE RATINGS

**MATERIAL:** CARBON STEEL, YELLOW ZINC DICHROMATE PLATED, (STAINLESS STEEL AVAILABLE)



# Split Flange Run Tee

SAE Code 61 Flange Style - Body Only



## SFRT34 Split Flange Run Tee - SAE Code 61 Flat Face With Tapped Holes

Complete With Buna 'O' Ring (Standard) and #4 SAE Port (Plugged)

Size	Tee Part No.	Dimensions (in)										Tap UNC-2B	'O' Ring (Buna) Part No.	WT. lbs/pc	Working Pressure PSI (bar)
		A	B	C	D	D1	E	F	G	K	L				
1/2"	SFRT34-050-*	0.69	1.50	2.12	0.50	0.38	2.00	1.00	2.50	1.25	4.00	5/16"-18	OR*-2-210	3.50	5000 (350)
3/4"	SFRT34-075-*	0.88	1.88	2.75	0.75	0.63	2.00	1.00	3.00	1.50	5.00	3/8"-16	OR*-2-214	5.10	5000 (350)
1"	SFRT34-100-*	1.03	2.06	2.75	0.94	0.88	2.00	1.00	3.00	1.50	5.00	3/8"-16	OR*-2-219	5.00	5000 (350)
1 1/4"	SFRT34-125-*	1.19	2.31	3.25	1.25	1.13	2.25	1.13	3.00	1.50	6.00	7/16"-14	OR*-2-222	6.20	4000 (275)
1 1/2"	SFRT34-150-*	1.41	2.75	3.25	1.50	1.38	2.50	1.25	4.00	2.00	6.00	1/2"-13	OR*-2-225	9.00	3000 (210)
2"	SFRT34-200-*	1.69	3.06	3.50	1.94	1.88	3.00	1.50	4.00	2.00	6.50	1/2"-13	OR*-2-228	11.35	3000 (210)
2 1/2"	SFRT34-250-*	2.00	3.50	4.00	2.38	2.38	3.50	1.75	4.50	2.25	7.25	1/2"-13	OR*-2-232	16.10	2500 (175)
3"	SFRT34-300-*	2.44	4.19	4.75	2.88	2.88	4.00	2.00	5.50	2.75	8.50	5/8"-11	OR*-2-237	27.25	2000 (140)

\* INSERT 'V' TO INDICATE OPTIONAL VITON 'O' RINGS

- OTHER SPLIT FLANGE TEES ARE AVAILABLE (CONSULT FACTORY)
- TO ORDER COMPLETE ASSEMBLY REFERENCE PAGE H21
- FOR SPLIT FLANGES REFERENCE PAGE N20

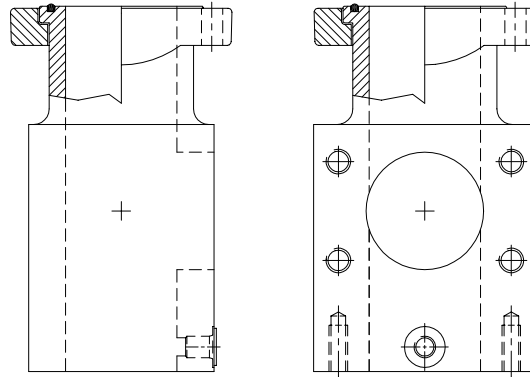
**MATERIAL:** CARBON STEEL, YELLOW ZINC DICHROMATE PLATED, (STAINLESS STEEL AVAILABLE)



# Split Flange Run Tee Assembly

SAE Code 61 Flange Style

## Typical A/SFRT34 Assembly



### COMPLETE ASSEMBLY CONSISTS OF:

- SAE CODE 61 SPLIT FLANGE RUN TEE BODY (REF. PAGE H20)
- ONE SET (2 HALVES) SAE CODE 61 SPLIT FLANGES (REF. PAGE N20)
- ONE (1) BUNA 'O' RING (STANDARD)
- ONE (1) COMPONENT BOLT KIT

## A/SFRT34 Split Flange Run Tee - SAE Code 61 Assembly

Size	Complete Assembly Part No.	WT. (Assembly) lbs/pc
1/2"	A/SFRT34-050-*	3.88
3/4"	A/SFRT34-075-*	5.67
1"	A/SFRT34-100-*	5.65
1 1/4"	A/SFRT34-125-*	7.09
1 1/2"	A/SFRT34-150-*	10.44
2"	A/SFRT34-200-*	12.91
2 1/2"	A/SFRT34-250-*	18.23
3"	A/SFRT34-300-*	30.90

\* INSERT ' V ' TO INDICATE OPTIONAL VITON 'O' RINGS

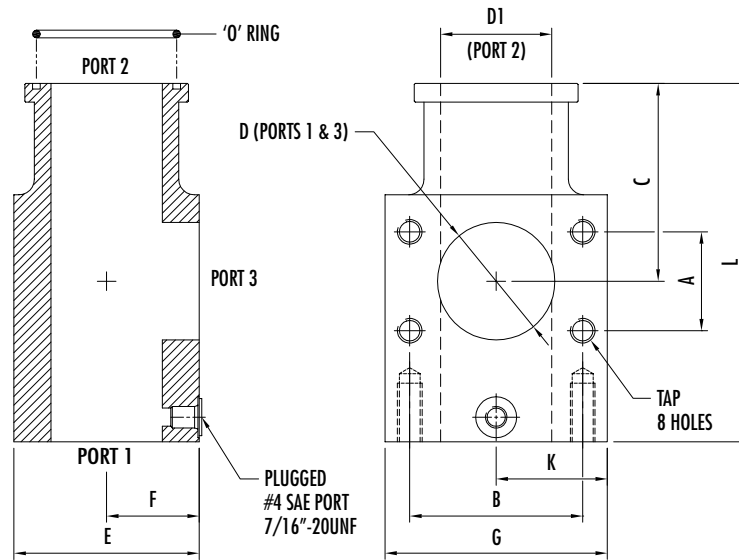
- ASSEMBLY WORKING PRESSURE RATINGS ARE SUBJECT TO THE LESSER OF THE FLANGE OR BODY RATINGS
- SEE REFERENCE PAGES INDICATED ABOVE FOR PRESSURE RATINGS

**MATERIAL:** CARBON STEEL, YELLOW ZINC DICHROMATE PLATED, (STAINLESS STEEL AVAILABLE)



# Split Flange Run Tee

SAE Code 62 Flange Style - Body Only



## SFRT64 Split Flange Run Tee - SAE Code 62 Flat Face With Tapped Holes

Complete With Buna 'O' Ring (Standard) and #4 SAE Port (Plugged)

Size	Tee Part No.	Dimensions (in)										Tap UNC-2B	'O' Ring (Buna) Part No.	WT. lbs/pc	Working Pressure PSI (bar)
		A	B	C	D	D1	E	F	G	K	L				
1/2"	SFRT64-050-*	0.72	1.59	2.37	0.50	0.38	2.00	1.00	2.50	1.25	4.25	5/16"-18	OR*-2-210	3.30	6000 (420)
3/4"	SFRT64-075-*	0.94	2.00	3.00	0.75	0.63	2.00	1.00	3.00	1.50	5.25	3/8"-16	OR*-2-214	5.40	6000 (420)
1"	SFRT64-100-*	1.09	2.25	3.75	0.94	0.88	2.25	1.13	3.00	1.50	6.25	7/16"-14	OR*-2-219	7.00	6000 (420)
1 1/4"	SFRT64-125-*	1.25	2.63	3.50	1.25	1.13	2.50	1.25	4.00	2.00	6.25	1/2"-13	OR*-2-222	9.55	6000 (420)
1 1/2"	SFRT64-150-*	1.44	3.13	4.25	1.50	1.38	3.00	1.50	4.00	2.00	7.25	5/8"-11	OR*-2-225	13.00	6000 (420)
2"	SFRT64-200-*	1.75	3.81	4.75	1.94	1.88	3.50	1.75	5.00	2.50	8.25	3/4"-10	OR*-2-228	17.75	6000 (420)

- \* INSERT 'V' TO INDICATE OPTIONAL VITON 'O' RINGS
- OTHER SPLIT FLANGE TEES ARE AVAILABLE (CONSULT FACTORY)
- TO ORDER COMPLETE ASSEMBLY REFERENCE PAGE H23
- FOR SPLIT FLANGES REFERENCE PAGE N20

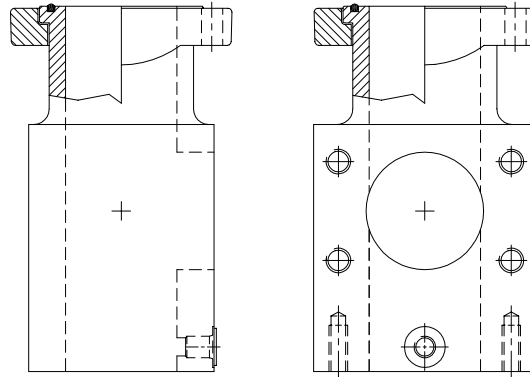
**MATERIAL:** CARBON STEEL, YELLOW ZINC DICHROMATE PLATED, (STAINLESS STEEL AVAILABLE)



# Split Flange Run Tee Assembly

SAE Code 62 Flange Style

## Typical A/SFRT64 Assembly



### COMPLETE ASSEMBLY CONSISTS OF:

- SAE CODE 62 SPLIT FLANGE RUN TEE BODY (REF. PAGE H22)
- ONE SET (2 HALVES) SAE CODE 62 SPLIT FLANGES (REF. PAGE N20)
- ONE (1) BUNA 'O' RING (STANDARD)
- ONE (1) COMPONENT BOLT KIT

## A/SFRT64 Split Flange Run Tee - SAE Code 62 Assembly

Size	Complete Assembly Part No.	WT. (Assembly) lbs/pc
1/2"	A/SFRT64-050-*	3.85
3/4"	A/SFRT64-075-*	6.33
1"	A/SFRT64-100-*	8.46
1 1/4"	A/SFRT64-125-*	11.81
1 1/2"	A/SFRT64-150-*	16.91
2"	A/SFRT64-200-*	24.23

\* INSERT ' V ' TO INDICATE OPTIONAL VITON 'O' RINGS

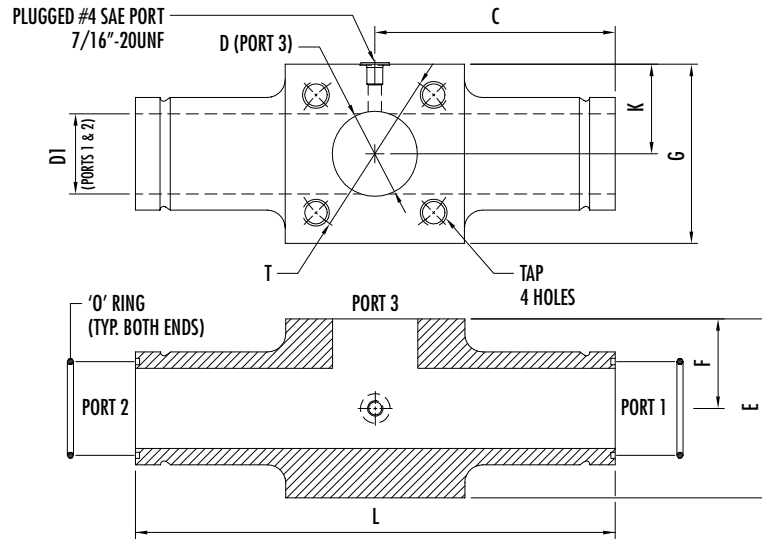
- ASSEMBLY WORKING PRESSURE RATINGS ARE SUBJECT TO THE LESSER OF THE FLANGE OR BODY RATINGS
- SEE REFERENCE PAGES INDICATED ABOVE FOR PRESSURE RATINGS

**MATERIAL:** CARBON STEEL, YELLOW ZINC DICHROMATE PLATED, (STAINLESS STEEL AVAILABLE)



# Retain Ring Flange Tee

ISO 6164 Flange Style - Body Only



## RT74 Retain Ring Flange Tee - ISO 6164 Flat Face With Tapped Holes

Complete With Buna 'O' Rings (Standard) and #4 SAE Port (Plugged)

Size	Tee Part No.	Dimensions (in)									Tap UNC-2B	'O' Ring (Buna) Part No.	WT. lbs/pc	Working Pressure PSI (bar)
		T	C	D	D1	E	F	G	K	L				
2 1/2"	RT74-250-*	4.65	6.75	2.38	2.25	5.00	2.50	5.00	2.50	13.50	3/4"-10	OR*-2-232	34.05	5800 (400)
3"	RT74-300-*	5.71	8.00	2.88	2.75	6.00	3.00	6.00	3.00	16.00	1"-8	OR*-2-237	48.76	5800 (400)
4"	RT74-400-*	6.89	8.50	3.50	3.25	7.00	3.50	7.00	3.50	17.00	1 1/8"-7	OR*-2-241	85.74	5800 (400)

\* INSERT 'V' TO INDICATE OPTIONAL VITON 'O' RINGS

♦ MUST BE USED WITH OSHS 'O' RING SEAL RETAINER FOR CONNECTION TO STAUFF BALL VALVE (BBVG27), REFERENCE OSHS-400 PAGE G19

• OTHER RETAIN RING FLANGE TEES ARE AVAILABLE (CONSULT FACTORY)

• TO ORDER COMPLETE ASSEMBLY REFERENCE PAGE H25

**MATERIAL:** CARBON STEEL, YELLOW ZINC DICHROMATE PLATED, (STAINLESS STEEL AVAILABLE)

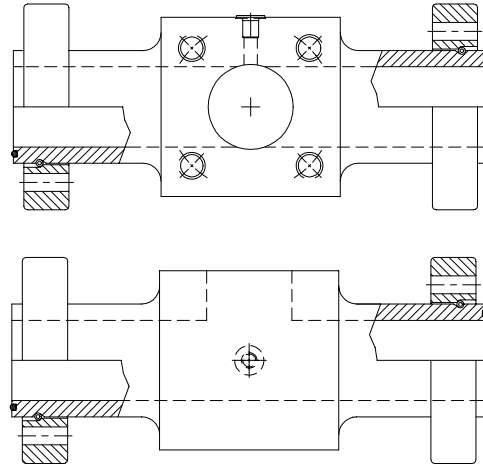




# Retain Ring Flange Tee Assembly

ISO 6164 Flange Style

## Typical A/RT74 Assembly



### COMPLETE ASSEMBLY CONSISTS OF:

- ISO 6164 RETAIN RING FLANGE TEE BODY (REF. PAGE H24)
- TWO (2) ISO 6164 RETAIN RING FLANGES (REF. PAGE C10)
- TWO (2) RETAIN RINGS
- TWO (2) BUNA 'O' RINGS (STANDARD)

## A/RT74 Retain Ring Flange Tee - ISO 6164 Assembly

Size	Complete Assembly Part No.	WT. (Assembly) lbs/pc
2 1/2"	A/RT74-250-*	43.63
3"	A/RT74-300-*	63.52
4"	A/RT74-400-*	114.56

\* INSERT ' V ' TO INDICATE OPTIONAL VITON 'O' RINGS

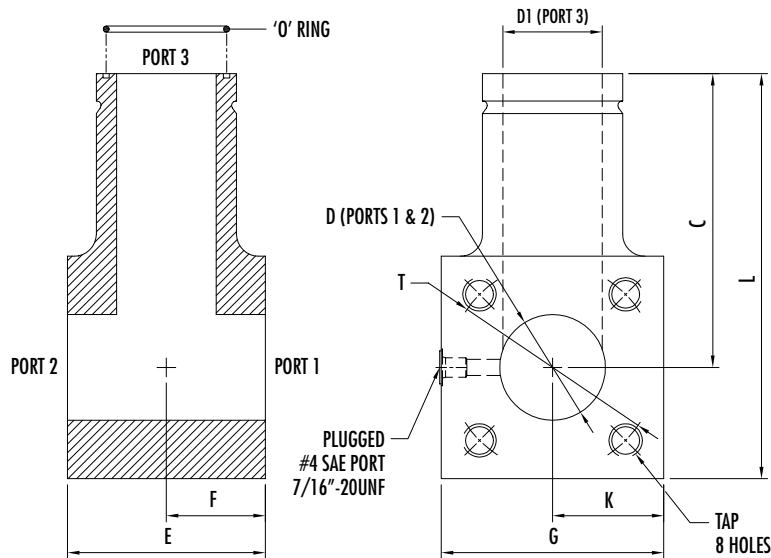
- ♦ MUST BE USED WITH OSHS 'O' RING SEAL RETAINER FOR CONNECTION TO STAUFF BALL VALVE (BBVG27), REFERENCE OSHS-400 PAGE G19
- ASSEMBLY WORKING PRESSURE RATINGS ARE SUBJECT TO THE LESSER OF THE FLANGE OR BODY RATINGS
- SEE REFERENCE PAGES INDICATED ABOVE FOR PRESSURE RATINGS

**MATERIAL:** CARBON STEEL, YELLOW ZINC DICHROMATE PLATED, (STAINLESS STEEL AVAILABLE)



# Retain Ring Flange Branch Tee

ISO 6164 Flange Style - Body Only



## RBT74 Retain Ring Flange Branch Tee - ISO 6164 Flat Face With Tapped Holes

Complete With Buna 'O' Ring (Standard) and #4 SAE Port (Plugged)

Size	Tee Part No.	Dimensions (in)									Tap UNC-2B	'O' Ring (Buna) Part No.	WT. lbs/pc	Working Pressure PSI (bar)
		T	C	D	D1	E	F	G	K	L				
2 1/2"	RBT74-250-*	4.65	6.75	2.38	2.25	5.00	2.50	5.00	2.50	9.25	3/4"-10	OR*-2-232	28.80	5800 (400)
3"	RBT74-300-*	5.71	8.00	2.88	2.75	6.00	3.00	6.00	3.00	11.00	1"-8	OR*-2-237	40.36	5800 (400)
4"	RBT74-400-*	6.89	8.50	3.50	3.25	7.00	3.50	7.00	3.50	12.00	1 1/8"-7	OR*-2-241	66.36	5800 (400)

\* INSERT 'V' TO INDICATE OPTIONAL VITON 'O' RINGS

♦ MUST BE USED WITH OSHS 'O' RING SEAL RETAINER FOR CONNECTION TO STAUFF BALL VALVE (BBVG27), REFERENCE OSHS-400 PAGE G19

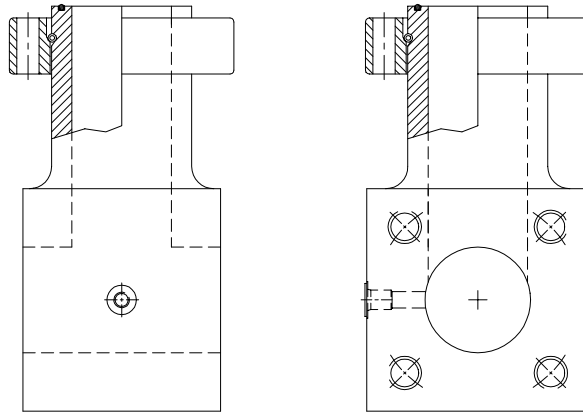
• OTHER RETAIN RING FLANGE TEES ARE AVAILABLE (CONSULT FACTORY)



# Retain Ring Flange Branch Tee Assembly

ISO 6164 Flange Style

## Typical A/RBT74 Assembly



### COMPLETE ASSEMBLY CONSISTS OF:

- ISO 6164 RETAIN RING FLANGE BRANCH TEE BODY (REF. PAGE H26)
- ONE (1) ISO 6164 RETAIN RING FLANGE (REF. PAGE C10)
- ONE (1) RETAIN RING
- ONE (1) BUNA 'O' RING (STANDARD)

## A/RBT74 Retain Ring Flange Branch Tee - ISO 6164 Assembly

Size	Complete Assembly Part No.	WT. (Assembly) lbs/pc
2 1/2"	A/RBT74-250-*	33.59
3"	A/RBT74-300-*	48.24
4"	A/RBT74-400-*	87.77

\* INSERT ' V ' TO INDICATE OPTIONAL VITON 'O' RINGS

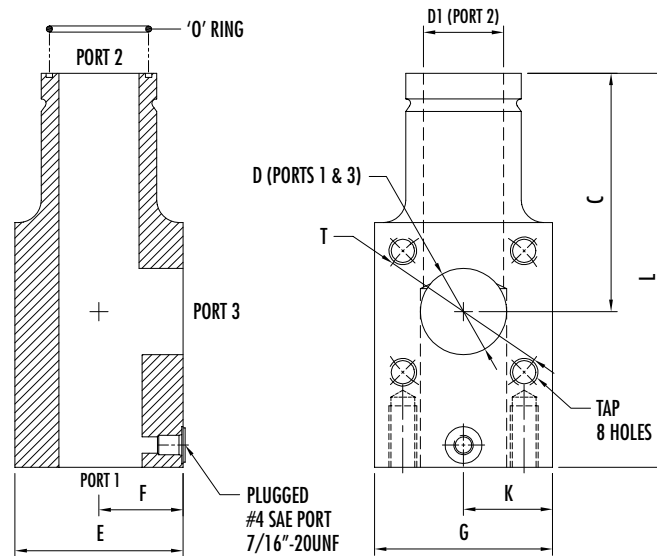
- ♦ MUST BE USED WITH OSHS 'O' RING SEAL RETAINER FOR CONNECTION TO STAUFF BALL VALVE (BBVG27), REFERENCE OSHS-400 PAGE G19
- ASSEMBLY WORKING PRESSURE RATINGS ARE SUBJECT TO THE LESSER OF THE FLANGE OR BODY RATINGS
- SEE REFERENCE PAGES INDICATED ABOVE FOR PRESSURE RATINGS

**MATERIAL:** CARBON STEEL, YELLOW ZINC DICHROMATE PLATED, (STAINLESS STEEL AVAILABLE)



# Retain Ring Flange Run Tee

ISO 6164 Flange Style - Body Only



## RRT74 Retain Ring Flange Run Tee - ISO 6164 Flat Face With Tapped Holes

Complete With Buna 'O' Ring (Standard) and #4 SAE Port (Plugged)

Size	Tee Part No.	Dimensions (in)									Tap UNC-2B	'O' Ring (Buna) Part No.	WT. lbs/pc	Working Pressure PSI (bar)
		T	C	D	D1	E	F	G	K	L				
2 1/2"	RRT74-250-*	4.65	6.75	2.38	2.25	5.00	2.50	5.00	2.50	10.75	3/4"-10	OR*-2-232	37.13	5800 (400)
3"	RRT74-300-*	5.71	8.00	2.88	2.75	6.00	3.00	6.00	3.00	13.00	1"-8	OR*-2-237	64.96	5800 (400)
4"	RRT74-400-*	6.89	8.50	3.50	3.25	7.00	3.50	7.00	3.50	14.00	1 1/8"-7	OR*-2-241	95.19	5800 (400)

\* INSERT 'V' TO INDICATE OPTIONAL VITON 'O' RINGS

◆ MUST BE USED WITH OSHS 'O' RING SEAL RETAINER FOR CONNECTION TO STAUFF BALL VALVE (BBVG27), REFERENCE OSHS-400 PAGE G19

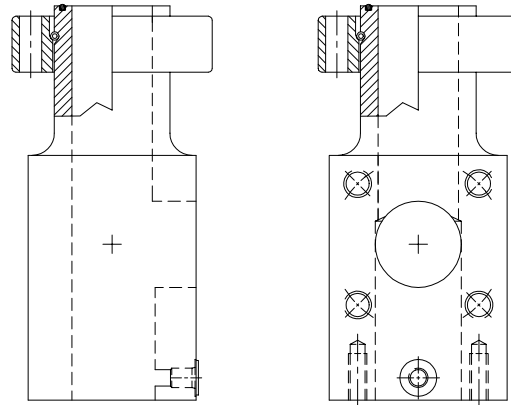
• OTHER RETAIN RING FLANGE TEES ARE AVAILABLE (CONSULT FACTORY)



# Retain Ring Flange Run Tee Assembly

ISO 6164 Flange Style

## Typical A/RRT74 Assembly



### COMPLETE ASSEMBLY CONSISTS OF:

- ISO 6164 RETAIN RING FLANGE RUN TEE BODY (REF. PAGE H28)
- ONE (1) ISO 6164 RETAIN RING FLANGE (REF. PAGE C10)
- ONE (1) RETAIN RING
- ONE (1) BUNA 'O' RING (STANDARD)

## A/RRT74 Retain Ring Flange Run Tee - ISO 6164 Assembly

Size	Complete Assembly Part No.	WT. (Assembly) lbs/pc
2 1/2"	A/RRT74-250-*	41.92
3"	A/RRT74-300-*	72.84
4"	A/RRT74-400-*	109.56

\* INSERT ' V ' TO INDICATE OPTIONAL VITON 'O' RINGS

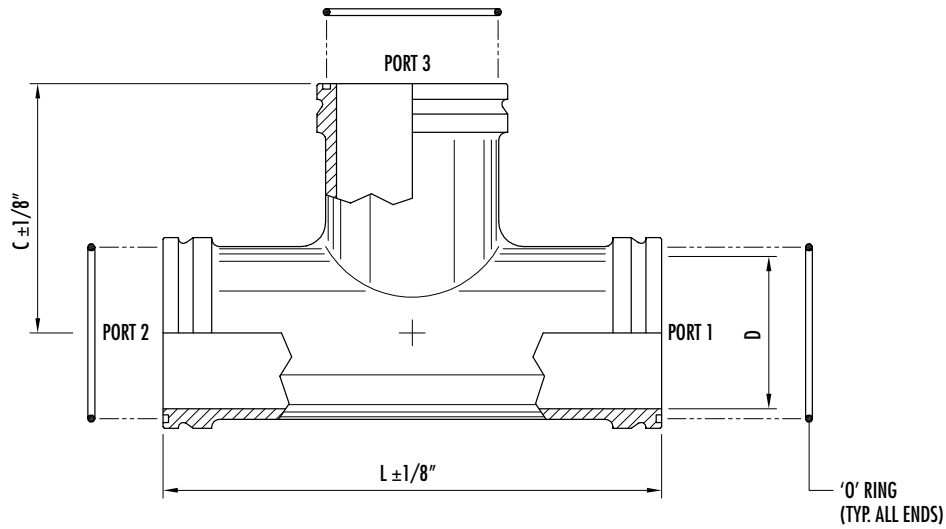
- ♦ MUST BE USED WITH OSHS 'O' RING SEAL RETAINER FOR CONNECTION TO STAUFF BALL VALVE (BBVG27), REFERENCE OSHS-400 PAGE G19
- ASSEMBLY WORKING PRESSURE RATINGS ARE SUBJECT TO THE LESSER OF THE FLANGE OR BODY RATINGS
- SEE REFERENCE PAGES INDICATED ABOVE FOR PRESSURE RATINGS

**MATERIAL:** CARBON STEEL, YELLOW ZINC DICHROMATE PLATED, (STAINLESS STEEL AVAILABLE)



# Low Pressure Retain Ring Flange Tee

Body Only



## LRT Low Pressure Retain Ring Flange Tee - Body Only (segmentally welded)

Complete with Buna 'O' Rings (Standard)

Size	Tee Body Part No.	Dimensions (in)			'O' Ring (Buna) Part No.	WT. lbs/pc	Working Pressure PSI (bar)
		L	C	D			
2 1/2"	LRT-250-*	8.95	4.47	2.47	OR*-2-232	9.06	750 (52)
3"	LRT-300-*	10.10	5.05	3.07	OR*-2-237	11.28	750 (52)
4"	LRT-400-*	11.60	5.80	4.03	OR*-2-245	18.63	750 (52)
5"	LRT-500-*	13.48	6.74	5.05	OR*-2-253	30.96	750 (52)
6"	LRT-600-*	15.38	7.69	6.07	OR*-2-259	50.31	700 (48)
8"	LRT-800-*	18.91	9.45	7.98	OR*-2-372	84.93	600 (40)

- \* INSERT ' V ' TO INDICATE OPTIONAL VITON 'O' RINGS
- TO ORDER COMPLETE ASSEMBLY REFERENCE PAGE H31
- TEE BODY INCLUDES BUTT WELD ADAPTERS (REF. PAGES D10-D13)

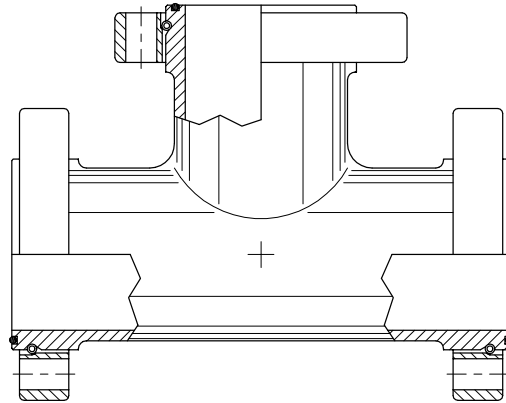
**MATERIAL:** CARBON STEEL, (STAINLESS STEEL AVAILABLE)



# Low Pressure Retain Ring Flange Tee Assembly

Complete Assembly Part Number

## Typical A/LRT Assembly



### COMPLETE ASSEMBLY CONSISTS OF:

- ONE (1) LOW PRESSURE RETAIN RING FLANGE TEE BODY
- THREE (3) LOW PRESSURE RETAIN RING FLANGES (REF. PAGES D8-D9)
- THREE (3) LOW PRESSURE RETAIN RINGS
- THREE (3) BUNA 'O' RINGS (STANDARD)
- ENDS SEALED WITH 6 MIL HEAT SHRINK MATERIAL (2 1/2" & 3")
- ENDS SEALED WITH POSITIVE CLOSURE (4"-8")

## A/LRT Low Pressure Retain Ring Flange Tee Assembly

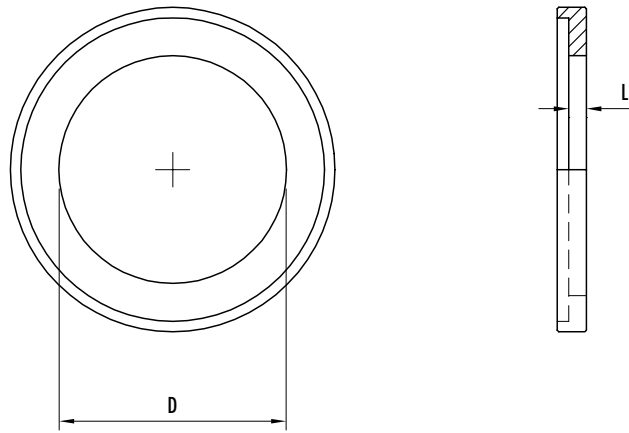
Size	Complete Assembly Part No.	WT. (Assembly) lbs/pc	Working Pressure PSI (bar)
2 1/2"	A/LRT-250-*	15.56	750 (52)
3"	A/LRT-300-*	22.66	750 (52)
4"	A/LRT-400-*	38.46	750 (52)
5"	A/LRT-500-*	56.78	750 (52)
6"	A/LRT-600-*	79.70	700 (48)
8"	A/LRT-800-*	142.68	600 (40)

\* INSERT ' V ' TO INDICATE OPTIONAL VITON 'O' RINGS

**MATERIAL:** CARBON STEEL, (STAINLESS STEEL AVAILABLE)



# 'O' Ring Connector Plate



## OCP 'O' Ring Connector Plate for Retain Ring Components

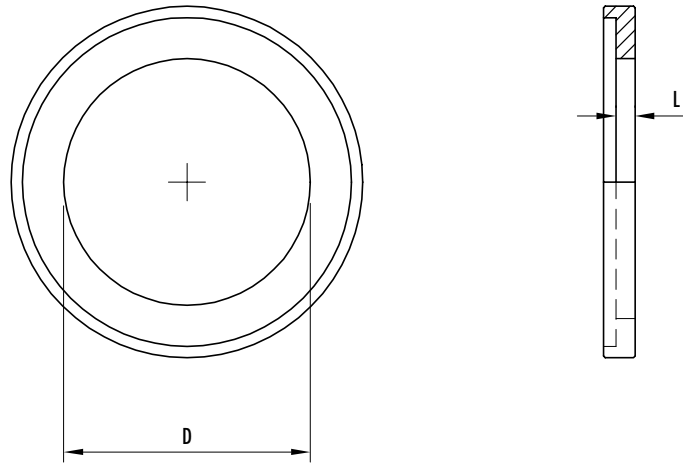
Size	Connector Plate Part No.	Dimensions (in)		WT. lbs/pc
		D	L	
1/2"	OCP-050	0.50	0.13	0.04
3/4"	OCP-075	0.75	0.13	0.06
1"	OCP-100	0.94	0.13	0.07
1 1/4"	OCP-125	1.20	0.13	0.08
1 1/2"	OCP-150	1.50	0.13	0.11
2"	OCP-200	1.94	0.13	0.13
2 1/2"	OCP-250	2.36	0.13	0.17
3"	OCP-300	2.88	0.13	0.25
4"	OCP-400	3.35	0.13	0.34

**MATERIAL:** CARBON STEEL, YELLOW ZINC DICHROMATE PLATED, (STAINLESS STEEL AVAILABLE)





# Low Pressure 'O' Ring Connector Plate



## LOCP Low Pressure 'O' Ring Connector Plate

Size	Connector Plate Part No.	Dimensions (in)		WT. lbs/pc
		D	L	
2 1/2"	LOCP-250	2.47	0.13	0.15
3"	LOCP-300	3.07	0.13	0.21
4"	LOCP-400	4.03	0.13	0.32
5"	LOCP-500	5.05	0.19	0.58
6"	LOCP-600	6.07	0.19	0.79
8"	LOCP-800	7.98	0.19	1.35

**MATERIAL:** CARBON STEEL, YELLOW ZINC DICHROMATE PLATED, (STAINLESS STEEL AVAILABLE)

