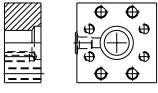
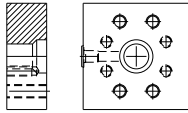
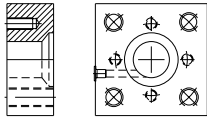
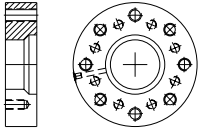
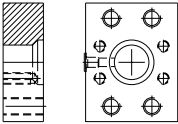
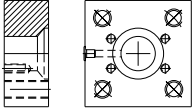
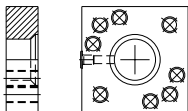
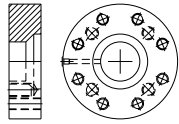
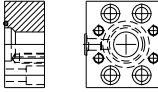
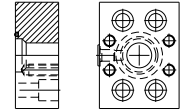
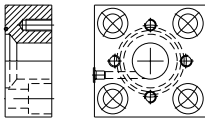
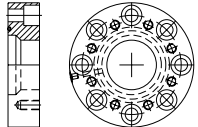
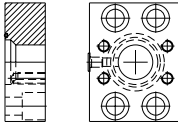
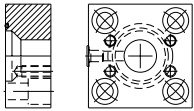
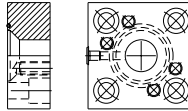
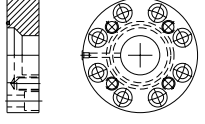
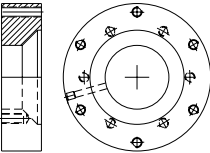
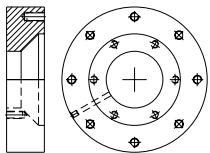
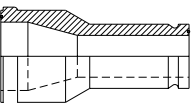
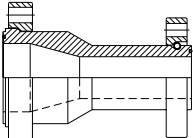
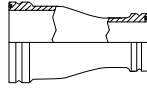
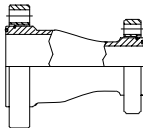
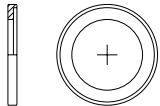
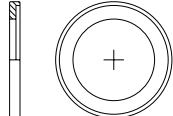




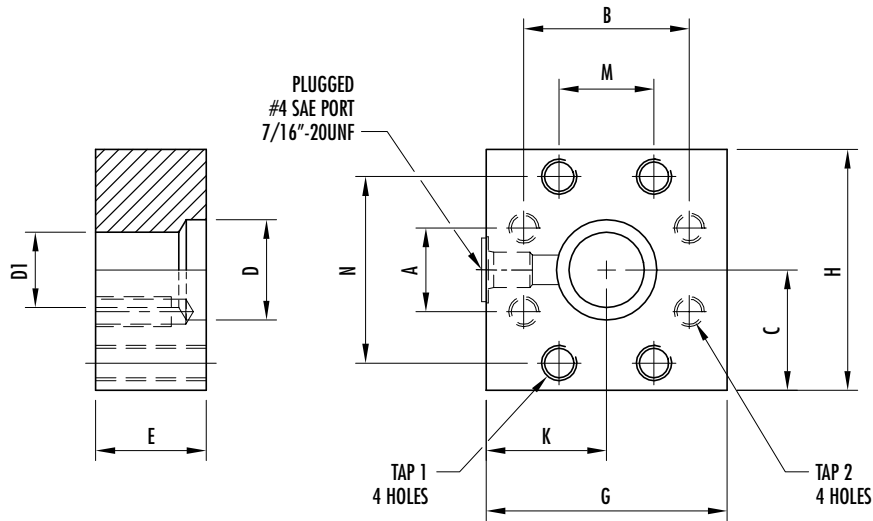
Reducers - Visual Index

<p>UNION STYLE</p>	<p>TPR34 SAE CODE 61</p>  <p>1/2" - 3" Page J2</p>	<p>TPR64 SAE CODE 62</p>  <p>1/2" - 2" Page J4</p>	<p>TPR74 ISO 6164</p>  <p>2 1/2" - 4" Page J6</p>	<p>TPR48 TMI® 8-BOLT</p>  <p>5" - 8" Page J8</p>
<p>TPR6-34 SAE CODE 62/CODE 61</p>  <p>1/2" - 3" Page J10</p>	<p>TPR7-34 ISO 6164/SAE CODE 61</p>  <p>1 1/2" - 4" Page J12</p>	<p>TPR7-64 ISO 6164/SAE CODE 62</p>  <p>1 1/2" - 4" Page J14</p>	<p>TPR4-74 TMI® 8-BOLT/ISO 6164</p>  <p>4" - 5" Page J16</p>	
<p>MANIFOLD MOUNT STYLE</p>	<p>TPR034 SAE CODE 61</p>  <p>1/2" - 3" Page J3</p>	<p>TPR064 SAE CODE 62</p>  <p>1/2" - 2" Page J5</p>	<p>TPR074 ISO 6164</p>  <p>2 1/2" - 4" Page J7</p>	<p>TPR048 TMI® 8-BOLT</p>  <p>5" - 8" Page J9</p>
<p>TPR06-34 SAE CODE 62/CODE 61</p>  <p>1/2" - 2" Page J11</p>	<p>TPR07-34 ISO 6164/SAE CODE 61</p>  <p>1 1/2" - 4" Page J13</p>	<p>TPR07-64 ISO 6164/SAE CODE 62</p>  <p>1 1/2" - 4" Page J15</p>	<p>TPR04-74 TMI® 8-BOLT/ISO 6164</p>  <p>4" - 5" Page J17</p>	
<p>LOW PRESSURE UNION STYLE</p>	<p>TPR16 TMI® 6-BOLT</p>  <p>2 1/2" - 6" Page J18</p>	<p>TPR1-16 TMI® 8-BOLT/6-BOLT</p>  <p>5" - 8" Page J19</p>		
<p>RETAIN RING FLANGE STYLE</p>	<p>CR REDUCER BODY</p>  <p>1/2" - 4" Page J20</p>	<p>A/CR REDUCER ASSEMBLY</p>  <p>1/2" - 4" Page J21</p>	<p>LRR LOW PRESSURE REDUCER BODY</p>  <p>2 1/2" - 8" Page J22</p>	<p>A/LRR LOW PRESSURE REDUCER ASSEMBLY</p>  <p>2 1/2" - 8" Page J23</p>
<p>'O' RING CONNECTOR PLATES</p>	<p>OCP</p>  <p>1/2" - 4" Page J24</p>	<p>LOCP LOW PRESSURE</p>  <p>2 1/2" - 8" Page J25</p>		



Transition Plate Reducer

SAE Code 61 Flange Union Style



TPR34 Transition Plate Reducer - SAE Code 61 Flat Face With Tapped Holes

Complete With #4 SAE Port (Plugged)

Size	Reducer Part No.	Dimensions (in)											Tap1 UNC-2B	Tap2 UNC-2B	WT. lbs/pc	Working Pressure PSI (bar)
		A	B	C	D	DI	E	G	H	K	M	N				
3/4" x 1/2"	TPR34-075 x 050-*	0.69	1.50	1.69	0.75	0.50	1.00	3.00	3.00	1.50	0.88	1.88	3/8"-16	5/16"-18	2.24	5000 (350)
1" x 1/2"	TPR34-100 x 050-*	0.69	1.50	1.50	0.94	0.50	1.50	3.00	3.00	1.50	1.03	2.06	3/8"-16	5/16"-18	3.36	5000 (350)
1" x 3/4"	TPR34-100 x 075-*	0.88	1.88	1.50	0.94	0.75	1.00	3.00	3.00	1.50	1.03	2.06	3/8"-16	3/8"-16	2.17	5000 (350)
1 1/4" x 3/4"	TPR34-125 x 075-*	0.88	1.88	1.50	1.25	0.75	1.50	3.00	3.00	1.50	1.19	2.31	7/16"-14	3/8"-16	3.19	5000 (350)
1 1/4" x 1"	TPR34-125 x 100-*	1.03	2.06	1.50	1.25	0.94	1.25	3.00	3.00	1.50	1.19	2.31	7/16"-14	3/8"-16	2.54	5000 (350)
1 1/2" x 1"	TPR34-150 x 100-*	1.03	2.06	2.00	1.50	0.94	1.50	3.00	4.00	1.50	1.41	2.75	1/2"-13	3/8"-16	4.24	5000 (350)
1 1/2" x 1 1/4"	TPR34-150 x 125-*	1.19	2.31	2.00	1.50	1.25	1.50	3.00	4.00	1.50	1.41	2.75	1/2"-13	7/16"-14	3.98	4000 (275)
2" x 1 1/4"	TPR34-200 x 125-*	1.19	2.31	2.00	1.94	1.25	1.75	3.00	4.00	1.50	1.69	3.06	1/2"-13	7/16"-14	4.65	4000 (275)
2" x 1 1/2"	TPR34-200 x 150-*	1.41	2.75	2.00	1.94	1.50	1.75	4.00	4.00	2.00	1.69	3.06	1/2"-13	1/2"-13	6.27	3000 (210)
2 1/2" x 1 1/2"	TPR34-250 x 150-*	1.41	2.75	2.50	2.38	1.50	2.00	4.00	5.00	2.00	2.00	3.50	1/2"-13	1/2"-13	8.25	3000 (210)
2 1/2" x 2"	TPR34-250 x 200-*	1.69	3.06	2.50	2.38	1.94	1.75	4.00	5.00	2.00	2.00	3.50	1/2"-13	1/2"-13	7.57	3000 (210)
3" x 2"	TPR34-300 x 200-*	1.69	3.06	3.00	2.88	1.94	2.00	4.00	6.00	2.00	2.44	4.19	5/8"-11	1/2"-13	10.67	3000 (210)
3" x 2 1/2"	TPR34-300 x 250-*	2.00	3.50	3.00	2.88	2.38	1.75	4.50	6.00	2.25	2.44	4.19	5/8"-11	1/2"-13	9.82	2500 (175)

* INSERT ' V ' TO INDICATE OPTIONAL VITON ' O ' RING FOR #4 SAE PLUG

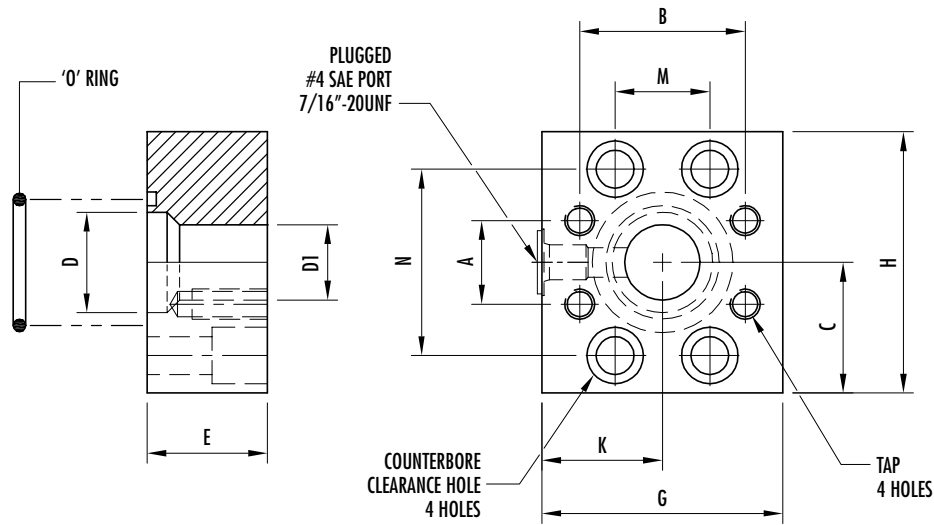
• OTHER REDUCTIONS ARE AVAILABLE (CONSULT FACTORY)

MATERIAL: CARBON STEEL, YELLOW ZINC DICHROMATE PLATED, (STAINLESS STEEL AVAILABLE)



Transition Plate Reducer

SAE Code 61 Flange Manifold Mount Style



TPRO34 Transition Plate Reducer - SAE Code 61 'O' Ring Face With Countersunk Holes Complete With Buna 'O' Ring (Standard) and #4 SAE Port (Plugged)

Size	Reducer Part No.	Dimensions (in)											C'Tbore Bolt	Tap UNC-2B	'O' Ring (Buna) Part No.	WT. lbs/pc	Working Pressure PSI (bar)
		A	B	C	D	D1	E	G	H	K	M	N					
3/4" x 1/2"	TPRO34-075 x 050-*	0.69	1.50	1.69	0.75	0.50	1.00	3.00	3.00	1.50	0.88	1.88	3/8"-16	5/16"-18	OR*-2-214	2.16	5000 (350)
1" x 1/2"	TPRO34-100 x 050-*	0.69	1.50	1.50	0.94	0.50	1.50	3.00	3.00	1.50	1.03	2.06	3/8"-16	5/16"-18	OR*-2-219	3.30	5000 (350)
1" x 3/4"	TPRO34-100 x 075-*	0.88	1.88	1.50	0.94	0.75	1.50	3.00	3.00	1.50	1.03	2.06	3/8"-16	3/8"-16	OR*-2-219	2.06	5000 (350)
1 1/4" x 3/4"	TPRO34-125 x 075-*	0.88	1.88	1.50	1.25	0.75	1.50	3.00	3.25	1.50	1.19	2.31	7/16"-14	3/8"-16	OR*-2-222	3.14	5000 (350)
1 1/4" x 1"	TPRO34-125 x 100-*	1.03	2.06	1.50	1.25	0.94	1.25	3.00	3.25	1.50	1.19	2.31	7/16"-14	3/8"-16	OR*-2-222	2.38	5000 (350)
1 1/2" x 1"	TPRO34-150 x 100-*	1.03	2.06	2.00	1.50	0.94	1.50	3.00	4.00	1.50	1.41	2.75	1/2"-13	3/8"-16	OR*-2-225	3.99	5000 (350)
1 1/2" x 1 1/4"	TPRO34-150 x 125-*	1.19	2.31	2.00	1.50	1.25	1.50	3.00	4.00	1.50	1.41	2.75	1/2"-13	7/16"-14	OR*-2-225	3.74	4000 (275)
2" x 1 1/4"	TPRO34-200 x 125-*	1.19	2.31	2.00	1.94	1.25	2.00	3.00	4.00	1.50	1.69	3.06	1/2"-13	7/16"-14	OR*-2-228	4.39	4000 (275)
2" x 1 1/2"	TPRO34-200 x 150-*	1.41	2.75	2.00	1.94	1.50	1.75	4.00	4.00	2.00	1.69	3.06	1/2"-13	1/2"-13	OR*-2-228	6.02	3000 (210)
2 1/2" x 1 1/2"	TPRO34-250 x 150-*	1.41	2.75	2.50	2.38	1.50	2.00	4.00	5.00	2.00	2.00	3.50	1/2"-13	1/2"-13	OR*-2-232	8.00	3000 (210)
2 1/2" x 2"	TPRO34-250 x 200-*	1.69	3.06	2.50	2.38	1.94	1.75	4.00	5.00	2.00	2.00	3.50	1/2"-13	1/2"-13	OR*-2-232	7.32	3000 (210)
3" x 2"	TPRO34-300 x 200-*	1.69	3.06	3.00	2.88	1.94	2.00	4.00	6.00	2.00	2.44	4.19	5/8"-11	1/2"-13	OR*-2-237	10.21	3000 (210)
3" x 2 1/2"	TPRO34-300 x 250-*	2.00	3.50	3.00	2.88	2.38	1.75	4.50	6.00	2.25	2.44	4.19	5/8"-11	1/2"-13	OR*-2-237	9.40	2500 (175)

* INSERT ' V ' TO INICATE OPTIONAL VITON 'O' RING

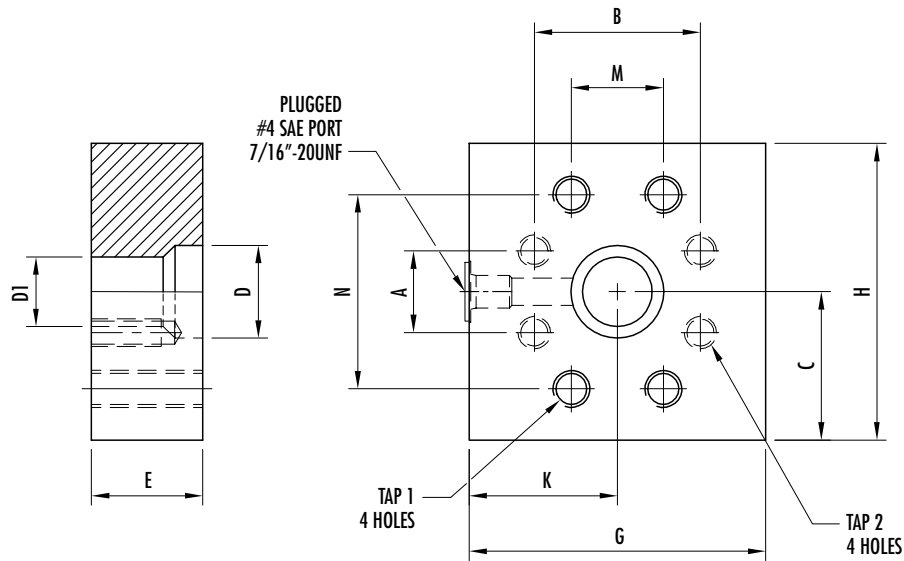
• OTHER REDUCTIONS ARE AVAILABLE (CONSULT FACTORY)

MATERIAL: CARBON STEEL, YELLOW ZINC DICHROMATE PLATED, (STAINLESS STEEL AVAILABLE)



Transition Plate Reducer

SAE Code 62 Flange Union Style



TPR64 Transition Plate Reducer - SAE Code 62 Flat Face With Tapped Holes

Complete With #4 SAE Port (Plugged)

Size	Reducer Part No.	Dimensions (in)											Tap1 UNC-2B	Tap2 UNC-2B	WT. lbs/pc	Working Pressure PSI (bar)
		A	B	C	D	DI	E	G	H	K	M	N				
3/4" x 1/2"	TPR64-075 x 050-*	0.72	1.59	1.88	0.75	0.50	1.38	3.00	3.25	1.50	0.94	2.00	3/8"-16	5/16"-18	3.43	6000 (420)
1" x 1/2"	TPR64-100 x 050-*	0.72	1.59	1.50	0.94	0.50	1.38	3.00	3.00	1.50	1.09	2.25	7/16"-14	5/16"-18	3.09	6000 (420)
1" x 3/4"	TPR64-100 x 075-*	0.94	2.00	1.50	0.94	0.75	1.25	3.00	3.00	1.50	1.09	2.25	7/16"-14	3/8"-16	2.66	6000 (420)
1 1/4" x 3/4"	TPR64-125 x 075-*	0.94	2.00	2.00	1.25	0.75	1.50	3.00	4.00	1.50	1.25	2.63	1/2"-13	3/8"-16	3.11	6000 (420)
1 1/4" x 1"	TPR64-125 x 100-*	1.09	2.25	2.00	1.25	0.94	1.25	3.00	4.00	1.50	1.25	2.63	1/2"-13	7/16"-14	3.37	6000 (420)
1 1/2" x 1"	TPR64-150 x 100-*	1.09	2.25	2.25	1.50	0.94	1.50	3.00	4.50	1.50	1.44	3.13	5/8"-11	7/16"-14	4.62	6000 (420)
1 1/2" x 1 1/4"	TPR64-150 x 125-*	1.25	2.63	2.25	1.50	1.25	1.50	4.00	4.50	2.00	1.44	3.13	5/8"-11	1/2"-13	6.27	6000 (420)
2" x 1 1/4"	TPR64-200 x 125-*	1.25	2.63	2.50	1.94	1.25	1.75	4.00	5.00	2.00	1.75	3.81	3/4"-10	1/2"-13	8.03	6000 (420)
2" x 1 1/2"	TPR64-200 x 150-*	1.44	3.13	2.50	1.94	1.50	1.75	4.00	5.00	2.00	1.75	3.81	3/4"-10	5/8"-11	7.55	6000 (420)

* INSERT ' V ' TO INDICATE OPTIONAL VITON ' O ' RING FOR #4 SAE PLUG

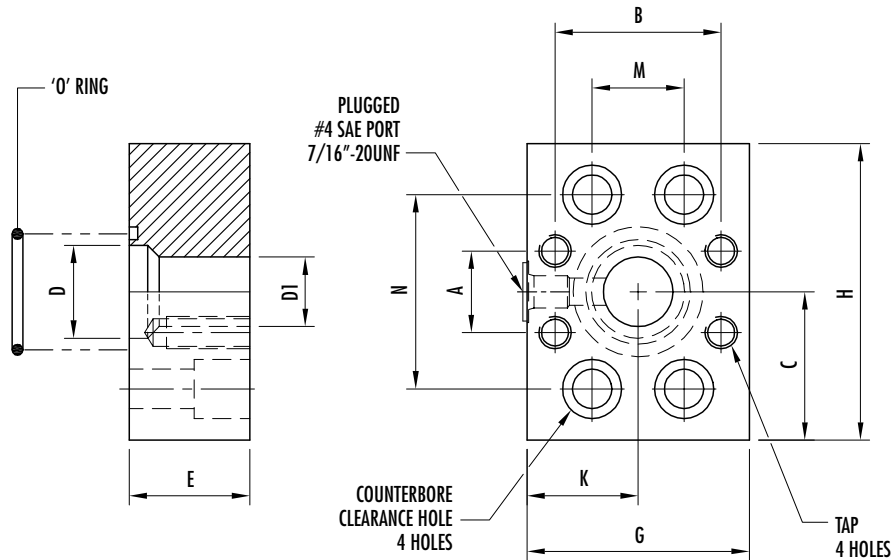
• OTHER REDUCTIONS ARE AVAILABLE (CONSULT FACTORY)

MATERIAL: CARBON STEEL, YELLOW ZINC DICHROMATE PLATED, (STAINLESS STEEL AVAILABLE)



Transition Plate Reducer

SAE Code 62 Flange Manifold Mount Style



TPR064 Transition Plate Reducer - SAE Code 62 'O' Ring Face With Countersunk Holes Complete With Buna 'O' Ring (Standard) and #4 SAE Port (Plugged)

Size	Reducer Part No.	Dimensions (in)											C'Tbore Bolt	Tap UNC-2B	'O' Ring (Buna) Part No.	WT. lbs/pc	Working Pressure PSI (bar)
		A	B	C	D	D1	E	G	H	K	M	N					
3/4" x 1/2"	TPR064-075 x 050-*	0.72	1.59	1.50	0.75	0.50	1.00	2.50	3.00	1.25	0.94	2.00	3/8"-16	5/16"-18	OR*-2-214	1.75	6000 (420)
1" x 1/2"	TPR064-100 x 050-*	0.72	1.59	1.50	0.94	0.50	1.50	2.50	3.00	1.25	1.09	2.25	7/16"-14	5/16"-18	OR*-2-219	2.34	6000 (420)
1" x 3/4"	TPR064-100 x 075-*	0.94	2.00	1.50	0.94	0.75	1.25	3.00	3.00	1.50	1.09	2.25	7/16"-14	3/8"-16	OR*-2-219	2.49	6000 (420)
1 1/4" x 3/4"	TPR064-125 x 075-*	0.94	2.00	2.00	1.25	0.75	1.50	3.00	4.00	1.50	1.25	2.63	1/2"-13	3/8"-16	OR*-2-222	4.14	6000 (420)
1 1/4" x 1"	TPR064-125 x 100-*	1.09	2.25	2.00	1.25	0.94	1.25	3.00	4.00	1.50	1.25	2.63	1/2"-13	7/16"-14	OR*-2-222	3.24	6000 (420)
1 1/2" x 1"	TPR064-150 x 100-*	1.09	2.25	2.25	1.50	0.94	1.50	3.00	4.50	1.50	1.44	3.13	5/8"-11	7/16"-14	OR*-2-225	4.18	6000 (420)
1 1/2" x 1 1/4"	TPR064-150 x 125-*	1.25	2.63	2.25	1.50	1.25	1.50	4.00	4.50	2.00	1.44	3.13	5/8"-11	1/2"-13	OR*-2-225	5.12	6000 (420)
2" x 1 1/4"	TPR064-200 x 125-*	1.25	2.63	2.50	1.94	1.25	1.75	4.00	5.50	2.00	1.75	3.81	3/4"-10	1/2"-13	OR*-2-228	7.21	6000 (420)
2" x 1 1/2"	TPR064-200 x 150-*	1.44	3.13	2.50	1.94	1.50	1.75	5.00	5.50	2.00	1.75	3.81	3/4"-10	5/8"-11	OR*-2-228	7.28	6000 (420)

* INSERT ' V ' TO INDICATE OPTIONAL VITON 'O' RING

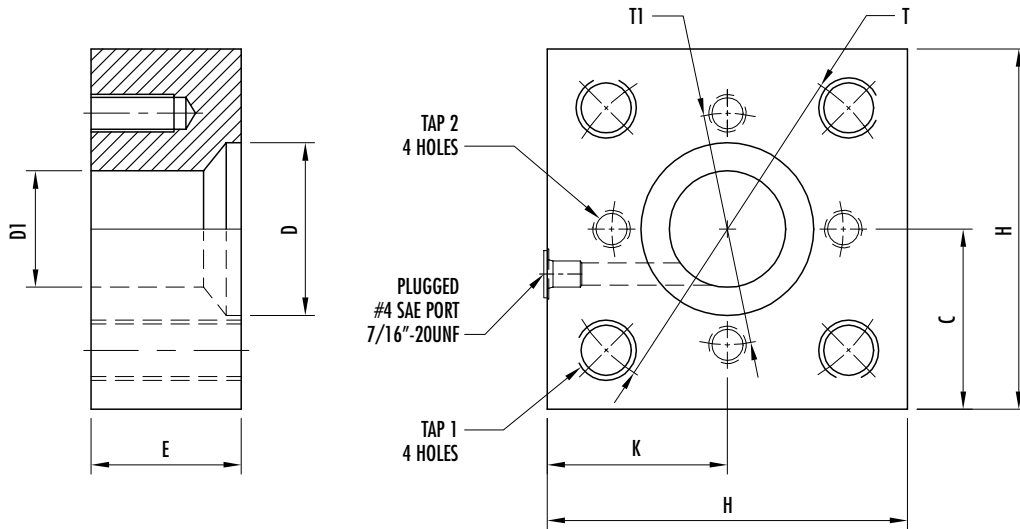
• OTHER REDUCTIONS ARE AVAILABLE (CONSULT FACTORY)

MATERIAL: CARBON STEEL, YELLOW ZINC DICHROMATE PLATED, (STAINLESS STEEL AVAILABLE)



Transition Plate Reducer

ISO 6164 Flange Union Style



TPR74 Transition Plate Reducer - ISO 6164 Flat Face With Tapped Holes

Complete With #4 SAE Port (Plugged)

Size	Reducer Part No.	Dimensions (in)								Tap1 UNC-2B	Tap2 UNC-2B	WT. lbs/pc	Working Pressure PSI (bar)
		T	T1	C	D	D1	E	H	K				
3" x 2 1/2"	TPR74-300 x 250-*	5.71	4.65	3.00	2.88	2.38	2.25	6.00	3.00	1"-8	3/4"-10	16.63	5800 (400)
4" x 2 1/2"	TPR74-400 x 250-*	6.89	4.65	3.50	3.38	2.38	2.25	7.00	3.50	1 1/8"-7	3/4"-10	24.10	5800 (400)
4" x 3"	TPR74-400 x 300-*	6.89	5.71	3.75	3.50	2.88	2.50	7.50	3.75	1 1/8"-7	1"-8	30.70	5800 (400)

* INSERT ' V ' TO INDICATE OPTIONAL VITON 'O' RING FOR #4 SAE PLUG

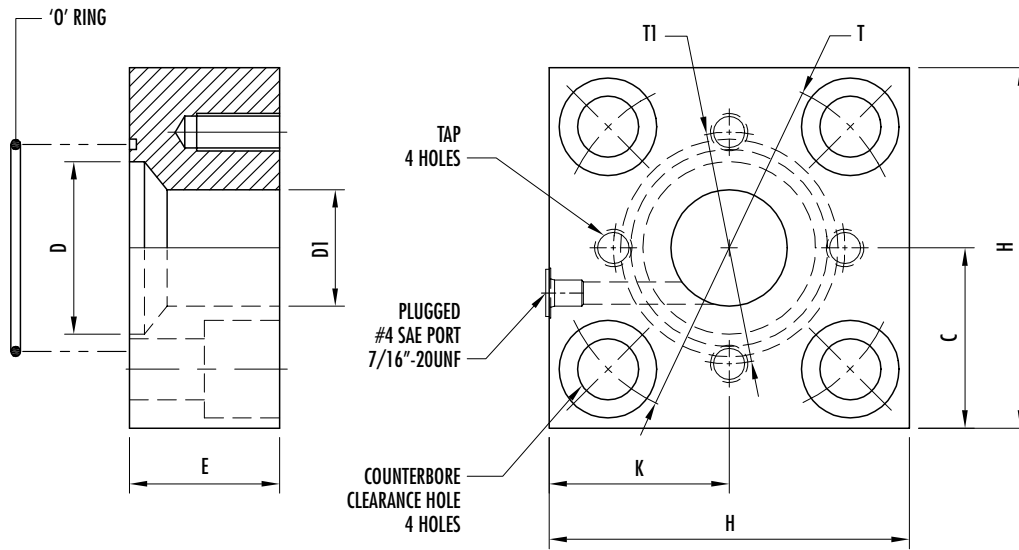
• OTHER REDUCTIONS ARE AVAILABLE (CONSULT FACTORY)

MATERIAL: CARBON STEEL, YELLOW ZINC DICHROMATE PLATED, (STAINLESS STEEL AVAILABLE)



Transition Plate Reducer

ISO 6164 Flange Manifold Mount Style



TPR074 Transition Plate Reducer - ISO 6164 'O' Ring Face With Countersunk Holes Complete With Buna 'O' Ring (Standard) and #4 SAE Port (Plugged)

Size	Reducer Part No.	Dimensions (in)								C'Tbore Bolt	Tap UNC-2B	'O' Ring (Buna) Part No.	WT. lbs/pc	Working Pressure PSI (bar)
		T	TI	C	D	DI	E	H	K					
3" x 2 1/2"	TPR074-300 x 250-*	5.71	4.65	3.00	2.88	2.38	1.75	6.00	3.00	1"-8	3/4"-10	OR*-2-237	11.27	5800 (400)
4" x 2 1/2"	TPR074-400 x 250-*	6.89	4.65	3.50	3.50	2.38	2.25	7.00	3.50	1 1/8"-7	3/4"-10	OR*-2-241	12.16	5800 (400)
4" x 3"	TPR074-400 x 300-*	6.89	5.71	3.75	3.50	2.88	2.00	7.50	3.75	1 1/8"-7	1"-8	OR*-2-241	21.39	5800 (400)

* INSERT ' V ' TO INDICATE OPTIONAL VITON 'O' RING

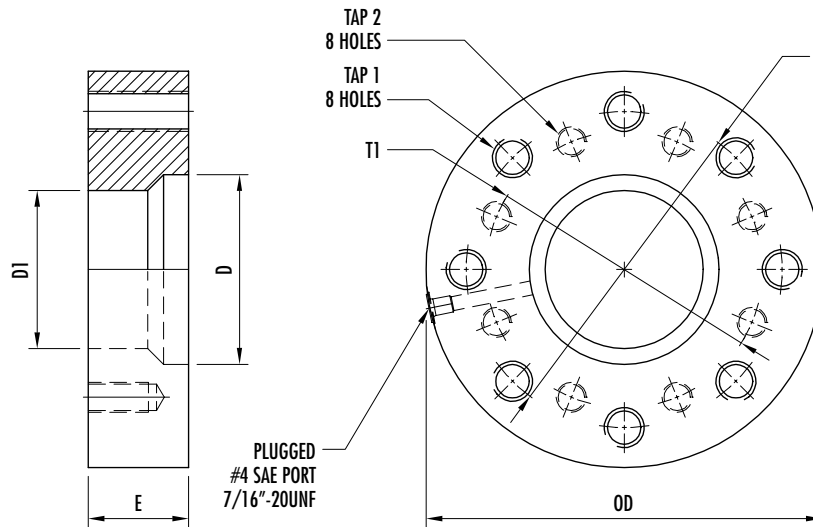
• OTHER REDUCTIONS ARE AVAILABLE (CONSULT FACTORY)

MATERIAL: CARBON STEEL, YELLOW ZINC DICHROMATE PLATED, (STAINLESS STEEL AVAILABLE)



Transition Plate Reducer

TMI® 8-Bolt Flange Union Style



TPR48 Transition Plate Reducer - TMI® 8-Bolt Flat Face With Tapped Holes

Complete With #4 SAE Port (Plugged)

Size	Reducer Part No.	Dimensions (in)						Tap1 UNC-2B	Tap2 UNC-2B	WT. lbs/pc	Working Pressure PSI (bar)
		T	T1	D	D1	OD	E				
6" x 5"	TPR48-600 x 500-*	9.65	7.88	4.90	4.00	11.81	2.00	1 1/8"-7	1"-8	50.39	3700 (255)
8" x 5"	TPR48-800 x 500-*	12.40	7.88	6.81	4.00	15.50	3.00	1 1/2"-6	1"-8	132.19	3500 (240)
8" x 6"	TPR48-800 x 600-*	12.40	9.65	6.81	4.90	15.50	2.50	1 1/2"-6	1 1/8"-7	104.53	3500 (240)

* INSERT ' V ' TO INDICATE OPTIONAL VITON 'O' RING FOR #4 SAE PLUG

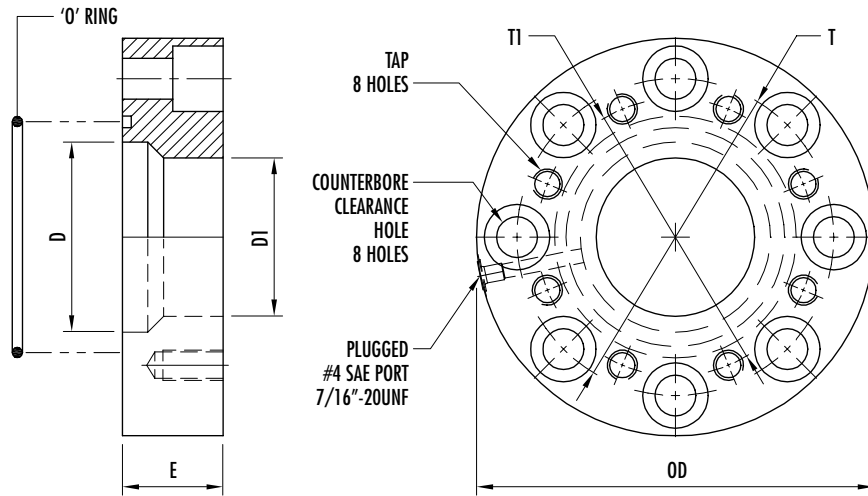
• OTHER REDUCTIONS ARE AVAILABLE (CONSULT FACTORY)

MATERIAL: CARBON STEEL, YELLOW ZINC DICHROMATE PLATED, (STAINLESS STEEL AVAILABLE)



Transition Plate Reducer

TMI® 8-Bolt Flange Manifold Mount Style



TPR048 Transition Plate Reducer - TMI® 8-Bolt 'O' Ring Face With Countersunk Holes Complete With Buna 'O' Ring (Standard) #4 SAE Port (Plugged)

Size	Reducer Part No.	Dimensions (in)						C'Tbore Bolt	Tap UNC-2B	'O' Ring (Buna) Part No.	WT. lbs/pc	Working Pressure PSI (bar)
		T	T1	D	D1	OD	E					
6" x 5"	TPR048-600 x 500-*	9.65	7.88	4.90	4.00	11.81	2.00	1 1/8"-7	1"-8	OR*-2-359	42.00	3700 (255)
8" x 5"	TPR048-800 x 500-*	12.40	7.88	6.81	4.00	15.50	3.00	1 1/2"-6	1"-8	OR*-2-368	120.30	3500 (240)
8" x 6"	TPR048-800 x 600-*	12.40	9.65	6.81	4.90	15.50	2.50	1 1/2"-6	1 1/8"-7	OR*-2-368	93.81	3500 (240)

* INSERT ' V ' TO INDICATE OPTIONAL VITON 'O' RING

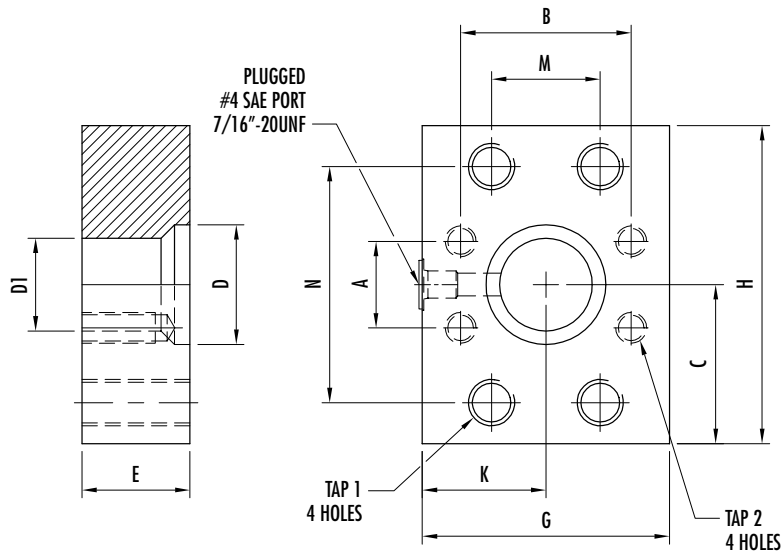
• OTHER REDUCTIONS ARE AVAILABLE (CONSULT FACTORY)

MATERIAL: CARBON STEEL, YELLOW ZINC DICHROMATE PLATED, (STAINLESS STEEL AVAILABLE)



Transition Plate Reducer

SAE Code 62/Code 61 Flange Union Style



TPR6-34 Transition Plate Reducer - SAE Code 62/Code 61 Flat Face With Tapped Holes Complete With #4 SAE Port (Plugged)

Size (SAE Code 62 x 61)	Reducer Part No.	Dimensions (in)											Tap1 UNC-2B	Tap2 UNC-2B	WT. lbs/ pc	Working Pressure PSI (bar)
		A	B	C	D	D1	E	G	H	K	M	N				
3/4" x 1/2"	TPR6-34-075 x 050-*	0.69	1.50	1.88	0.75	0.50	1.00	2.50	3.25	1.25	0.94	2.00	3/8"-16	5/16"-18	2.03	5000 (350)
1" x 1/2"	TPR6-34-100 x 050-*	0.69	1.50	1.50	0.94	0.50	1.50	3.00	3.00	1.50	1.09	2.25	7/16"-14	5/16"-18	3.35	5000 (350)
1" x 3/4"	TPR6-34-100 x 075-*	0.88	1.88	1.50	0.94	0.75	1.25	3.00	3.00	1.50	1.09	2.25	7/16"-14	3/8"-16	2.66	5000 (350)
1 1/4" x 3/4"	TPR6-34-125 x 075-*	0.88	1.88	1.75	1.25	0.75	1.50	3.00	3.50	1.50	1.25	2.63	1/2"-13	3/8"-16	3.75	5000 (350)
1 1/4" x 1"	TPR6-34-125 x 100-*	1.03	2.06	1.75	1.25	0.94	1.25	3.00	3.50	1.50	1.25	2.63	1/2"-13	3/8"-16	3.00	5000 (350)
1 1/2" x 1"	TPR6-34-150 x 100-*	1.03	2.06	2.00	1.50	0.94	1.50	3.00	4.00	1.50	1.44	3.13	5/8"-11	3/8"-16	4.05	5000 (350)
1 1/2" x 1 1/4"	TPR6-34-150 x 125-*	1.19	2.31	2.00	1.50	1.25	1.25	4.00	4.00	2.00	1.44	3.13	5/8"-11	7/16"-14	4.58	4000 (275)
2" x 1 1/4"	TPR6-34-200 x 125-*	1.19	2.31	2.50	1.94	1.25	1.75	4.00	5.00	2.00	1.75	3.81	3/4"-10	7/16"-14	8.12	4000 (275)
2" x 1 1/2"	TPR6-34-200 x 150-*	1.41	2.75	2.50	1.94	1.50	1.50	5.00	5.00	2.50	1.75	3.81	3/4"-10	1/2"-13	8.78	3000 (210)

* INSERT ' V ' TO INDICATE OPTIONAL VITON 'O' RING FOR #4 SAE PLUG

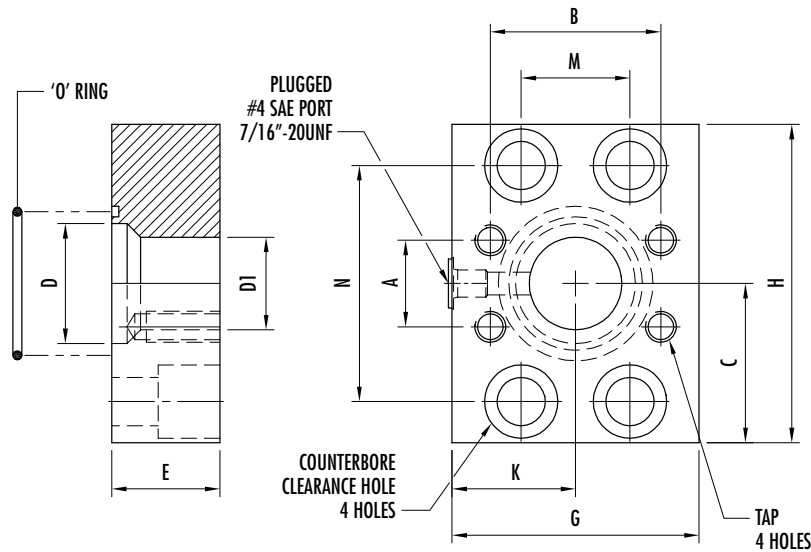
• OTHER REDUCTIONS ARE AVAILABLE (CONSULT FACTORY)

MATERIAL: CARBON STEEL, YELLOW ZINC DICHROMATE PLATED, (STAINLESS STEEL AVAILABLE)



Transition Plate Reducer

SAE Code 62/Code 61 Flange Manifold Mount Style



TPR06-34 Transition Plate Reducer - SAE Code 62/Code 61 'O' Ring Face With Countersunk Holes Complete With Buna 'O' Ring (Standard) and #4 SAE Port (Plugged)

Size (SAE Code 62 x 61)	Reducer Part No.	Dimensions (in)											C'Tbore Bolt	Tap UNC-2B	'O' Ring (Buna) Part No.	WT. lbs/ pc	Working Pressure PSI (bar)
		A	B	C	D	D1	E	G	H	K	M	N					
3/4" x 1/2"	TPR06-34-075 x 050-*	0.69	1.50	1.38	0.75	0.50	1.50	3.00	2.75	1.75	0.94	2.00	3/8"-16	5/16"-18	OR*-2-214	3.00	5000 (350)
1" x 1/2"	TPR06-34-100 x 050-*	0.69	1.50	1.50	0.94	0.50	1.50	3.00	3.00	1.75	1.09	2.25	7/16"-14	5/16"-18	OR*-2-219	3.18	5000 (350)
1" x 3/4"	TPR06-34-100 x 075-*	0.88	1.88	1.50	0.94	0.75	1.50	3.00	3.00	1.75	1.09	2.25	7/16"-14	3/8"-16	OR*-2-219	3.02	5000 (350)
1 1/4" x 3/4"	TPR06-34-125 x 075-*	0.88	1.88	1.75	1.25	0.75	1.50	3.00	3.50	1.75	1.25	2.63	1/2"-13	3/8"-16	OR*-2-222	3.50	5000 (350)
1 1/4" x 1"	TPR06-34-125 x 100-*	1.03	2.06	1.75	1.25	0.94	1.00	3.00	3.50	1.50	1.25	2.63	1/2"-13	3/8"-16	OR*-2-222	2.17	5000 (350)
1 1/2" x 1"	TPR06-34-150 x 100-*	1.03	2.06	2.25	1.50	0.94	1.75	3.50	4.50	2.00	1.44	3.13	5/8"-11	3/8"-16	OR*-2-225	6.13	5000 (350)
1 1/2" x 1 1/4"	TPR06-34-150 x 125-*	1.19	2.31	2.25	1.50	1.25	1.75	3.00	4.50	1.50	1.44	3.13	5/8"-11	7/16"-14	OR*-2-225	4.72	4000 (275)
2" x 1 1/4"	TPR06-34-200 x 125-*	1.19	2.31	2.63	1.94	1.25	1.75	4.00	5.25	2.00	1.75	3.81	3/4"-10	7/16"-14	OR*-2-228	7.83	4000 (275)
2" x 1 1/2"	TPR06-34-200 x 150-*	1.41	2.75	2.63	1.94	1.50	1.75	4.00	5.25	2.00	1.75	3.81	3/4"-10	1/2"-13	OR*-2-228	7.48	3000 (210)

* INSERT ' V ' TO INDICATE OPTIONAL VITON 'O' RING

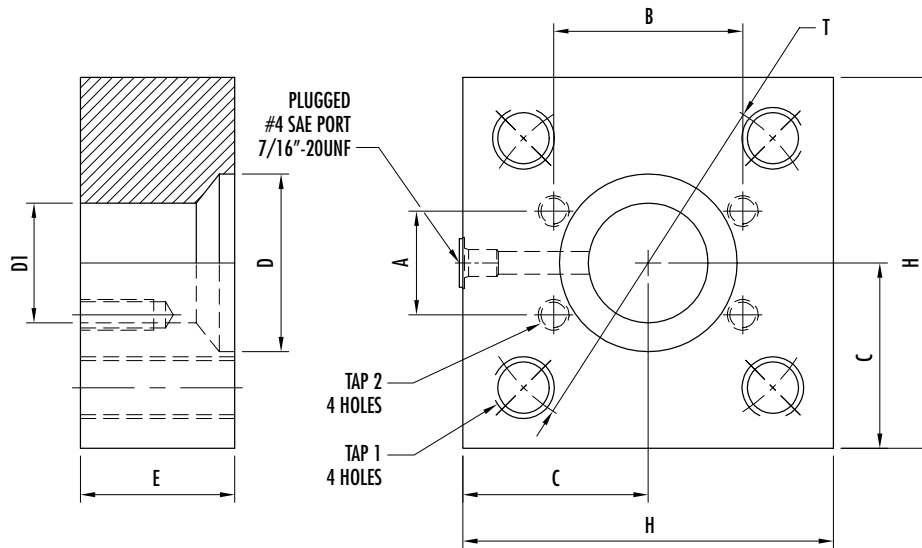
• OTHER REDUCTIONS ARE AVAILABLE (CONSULT FACTORY)

MATERIAL: CARBON STEEL, YELLOW ZINC DICHROMATE PLATED, (STAINLESS STEEL AVAILABLE)



Transition Plate Reducer

ISO 6164/SAE Code 61 Flange Union Style



TPR7-34 Transition Plate Reducer - ISO 6164/SAE Code 61 Flat Face With Tapped Holes Complete With #4 SAE Port (Plugged)

Size (ISO 6164 x SAE Code 61)	Reducer Part No.	Dimensions (in)								Tap1 UNC-2B	Tap2 UNC-2B	WT. lbs/pc	Working Pressure PSI (bar)
		T	A	B	C	D	D1	E	H				
2 1/2" x 1 1/2"	TPR7-34-250 x 150-*	4.65	1.41	2.75	2.50	2.38	1.50	1.75	5.00	3/4"-10	1/2"-13	10.40	3000 (210)
2 1/2" x 2"	TPR7-34-250 x 200-*	4.65	1.69	3.06	2.50	2.38	1.94	1.75	5.00	3/4"-10	1/2"-13	10.30	3000 (210)
3" x 2"	TPR7-34-300 x 200-*	5.71	1.69	3.06	3.00	2.88	1.94	2.00	6.00	1"-8	1/2"-13	16.50	3000 (210)
3" x 2 1/2"	TPR7-34-300 x 250-*	5.71	2.00	3.50	3.00	2.88	2.38	2.00	6.00	1"-8	1/2"-13	15.50	2500 (175)
4" x 2 1/2"	TPR7-34-400 x 250-*	6.89	2.00	3.50	3.50	3.50	2.38	2.00	7.00	1 1/8"-7	1/2"-13	22.70	2500 (175)
4" x 3"	TPR7-34-400 x 300-*	6.89	2.44	4.19	3.50	3.50	2.88	2.00	7.00	1 1/8"-7	5/8"-11	22.20	2000 (140)

* INSERT ' V ' TO INDICATE OPTIONAL VITON 'O' RING FOR #4 SAE PLUG

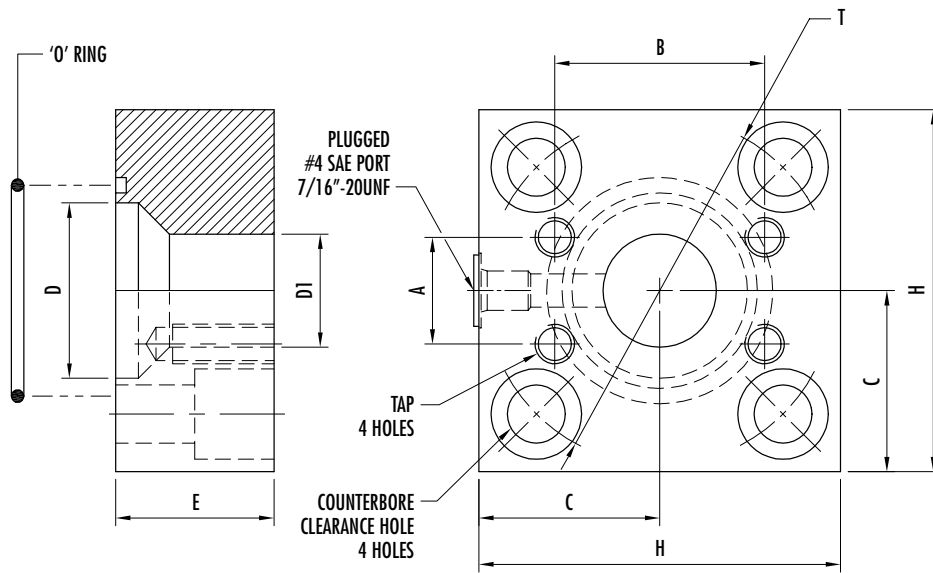
• OTHER REDUCTIONS ARE AVAILABLE (CONSULT FACTORY)

MATERIAL: CARBON STEEL, YELLOW ZINC DICHROMATE PLATED, (STAINLESS STEEL AVAILABLE)



Transition Plate Reducer

ISO 6164/SAE Code 61 Flange Manifold Mount Style



TPR07-34 Transition Plate Reducer - ISO 6164/SAE Code 61 'O' Ring Face With Countersunk Holes Complete With Buna 'O' Ring (Standard) and #4 SAE Port (Plugged)

Size (ISO 6164 x SAE Code 61)	Reducer Part No.	Dimensions (in)								C'Tbore Bolt	Tap UNC-2B	'O' Ring (Buna) Part No.	WT. lbs/ pc	Working Pressure PSI (bar)
		T	A	B	C	D	DI	E	H					
2 1/2" x 1 1/2"	TPR07-34-250 x 150-*	4.65	1.41	2.75	2.50	2.38	1.50	1.88	5.00	3/4"-10	1/2"-13	OR*-2-232	12.20	3000 (210)
2 1/2" x 2"	TPR07-34-250 x 200-*	4.65	1.69	3.06	2.50	2.38	1.94	1.75	5.00	3/4"-10	1/2"-13	OR*-2-232	9.90	3000 (210)
3" x 2"	TPR07-34-300 x 200-*	5.71	1.69	3.06	3.00	2.88	1.94	2.00	6.00	1"-8	1/2"-13	OR*-2-237	16.40	3000 (210)
3" x 2 1/2"	TPR07-34-300 x 250-*	5.71	2.00	3.50	3.00	2.88	2.38	2.00	6.00	1"-8	1/2"-13	OR*-2-237	15.40	2500 (175)
4" x 2 1/2"	TPR07-34-400 x 250-*	6.89	2.00	3.50	3.50	3.50	2.38	2.00	7.00	1 1/8"-7	1/2"-13	OR*-2-241	22.20	2500 (175)
4" x 3"	TPR07-34-400 x 300-*	6.89	2.44	4.19	3.50	3.50	2.88	2.00	7.00	1 1/8"-7	5/8"-11	OR*-2-241	21.70	2000 (140)

* INSERT ' V ' TO INDICATE OPTIONAL VITON 'O' RING

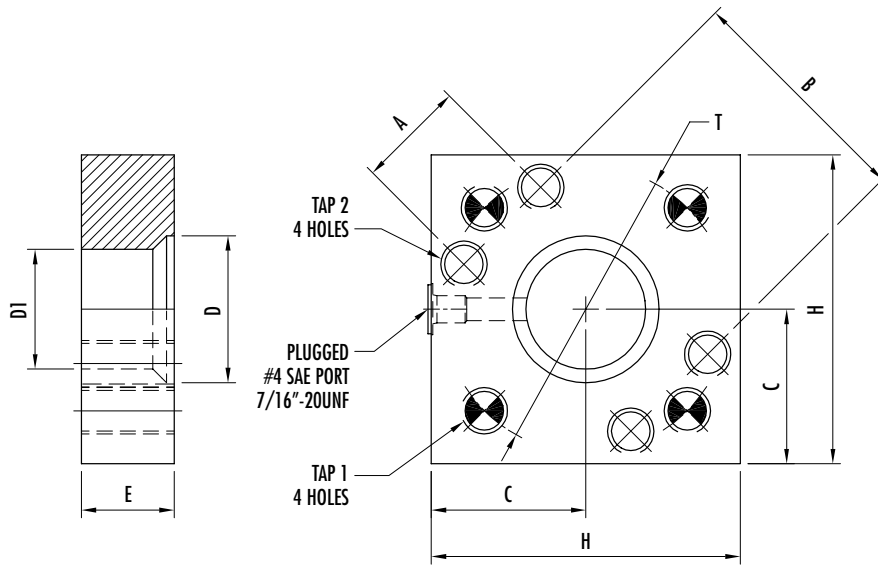
• OTHER REDUCTIONS ARE AVAILABLE (CONSULT FACTORY)

MATERIAL: CARBON STEEL, YELLOW ZINC DICHROMATE PLATED, (STAINLESS STEEL AVAILABLE)



Transition Plate Reducer

ISO 6164/SAE Code 62 Flange Union Style



TPR7-64 Transition Plate Reducer - ISO 6164/SAE Code 62 Flat Face With Tapped Holes Complete With #4 SAE Port (Plugged)

Size (ISO 6164 x SAE Code 62)	Reducer Part No.	Dimensions (in)								Tap1 UNC-2B	Tap2 UNC-2B	WT. lbs/pc	Working Pressure PSI (bar)
		T	A	B	C	D	D1	E	H				
2 1/2" x 1 1/2"	TPR7-64-250 x 150-*	4.65	1.44	3.13	2.50	2.38	1.50	2.00	5.00	3/4"-10	5/8"-11	11.46	5800 (400)
2 1/2" x 2"	TPR7-64-250 x 200-*	4.65	1.75	3.81	3.00	2.38	1.94	1.50	6.00	3/4"-10	3/4"-10	8.65	5800 (400)
3" x 2"	TPR7-64-300 x 200-*	5.71	1.75	3.81	3.00	2.88	1.94	2.25	6.00	1"-8	3/4"-10	17.80	5800 (400)
4" x 2"	TPR7-64-400 x 200-*	6.89	1.75	3.81	3.50	3.50	1.94	2.25	7.00	1 1/8"-7	3/4"-10	25.54	5800 (400)

* INSERT ' V ' TO INDICATE OPTIONAL VITON 'O' RING FOR #4 SAE PLUG

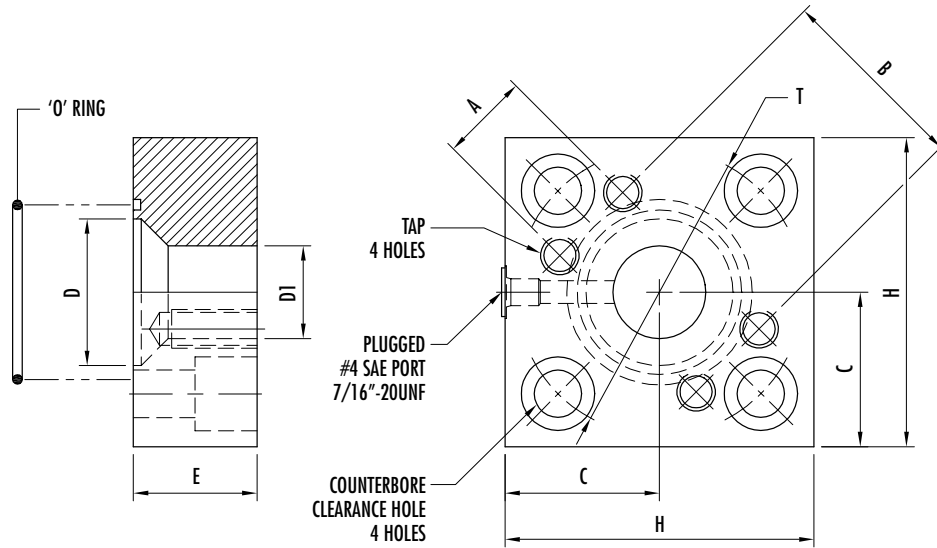
• OTHER REDUCTIONS ARE AVAILABLE (CONSULT FACTORY)

MATERIAL: CARBON STEEL, YELLOW ZINC DICHROMATE PLATED, (STAINLESS STEEL AVAILABLE)



Transition Plate Reducer

ISO 6164/SAE Code 62 Flange Manifold Mount Style



TPR07-64 Transition Plate Reducer - ISO 6164/SAE Code 62 'O' Ring Face With Countersunk Holes Complete With Buna 'O' Ring (Standard) and #4 SAE Port (Plugged)

Size (ISO 6164 x SAE Code 62)	Reducer Part No.	Dimensions (in)								C'Tbore Bolt	Tap UNC-2B	'O' Ring (Buna) Part No.	WT. lbs/ pc	Working Pressure PSI (bar)
		T	A	B	C	D	DI	E	H					
2 1/2" x 1 1/2"	TPR07-64-250 x 150-*	4.65	1.44	3.13	2.50	2.38	1.50	2.00	5.00	3/4"-10	5/8"-11	OR*-2-232	10.61	5800 (400)
3" x 2"	TPR07-64-300 x 200-*	5.71	1.75	3.81	3.00	2.88	1.94	2.25	6.00	1"-8	3/4"-10	OR*-2-237	16.05	5800 (400)
4" x 2"	TPR07-64-400 x 200-*	6.89	1.75	3.81	3.50	3.50	1.94	2.50	7.00	1 1/8"-7	3/4"-10	OR*-2-241	23.09	5800 (400)

* INSERT ' V ' TO INDICATE OPTIONAL VITON 'O' RING

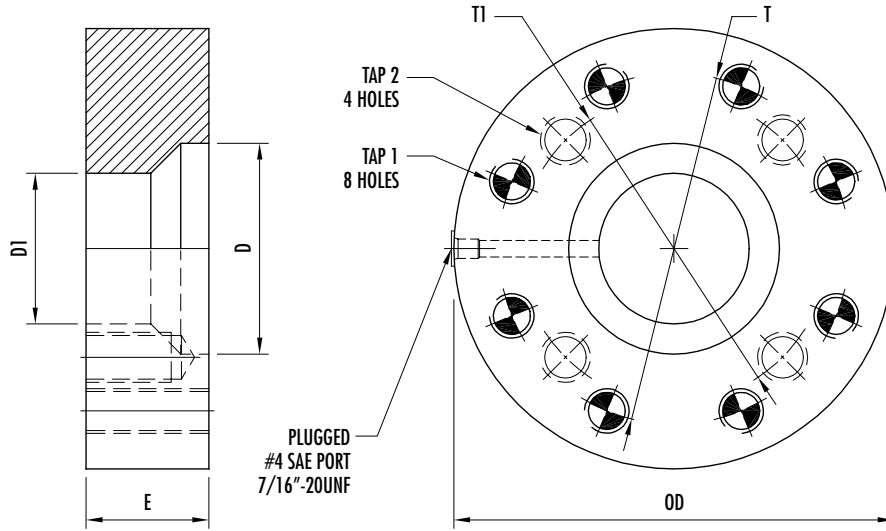
• OTHER REDUCTIONS ARE AVAILABLE (CONSULT FACTORY)

MATERIAL: CARBON STEEL, YELLOW ZINC DICHROMATE PLATED, (STAINLESS STEEL AVAILABLE)



Transition Plate Reducer

TMI® 8-Bolt/ISO 6164 Flange Union Style



TPR4-74 Transition Plate Reducer - TMI® 8-Bolt/ISO 6164 Flat Face With Tapped Holes Complete With #4 SAE Port (Plugged)

Size (TMI® 8-Bolt x ISO 6164)	Reducer Part No.	Dimensions (in)						Tap1 UNC-2B	Tap2 UNC-2B	WT. lbs/pc	Working Pressure PSI (bar)
		T	T1	D	D1	OD	E				
5" x 4"	TPR4-74-500 x 400-*	7.88	6.89	4.00	3.50	9.88	2.00	1"-8	1 1/8"-7	31.67	4000 (275)

* INSERT ' V ' TO INDICATE OPTIONAL VITON 'O' RING FOR #4 SAE PLUG

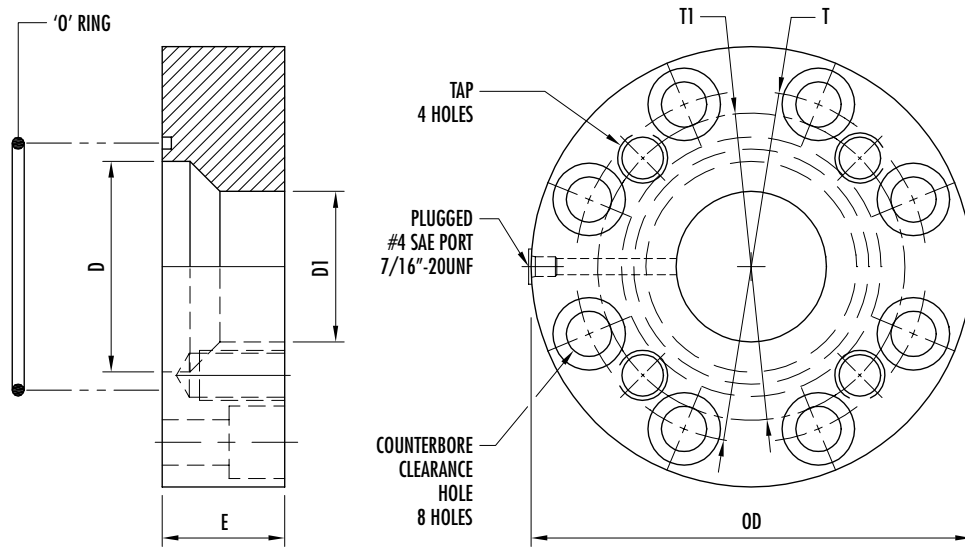
• OTHER REDUCTIONS ARE AVAILABLE (CONSULT FACTORY)

MATERIAL: CARBON STEEL, YELLOW ZINC DICHROMATE PLATED, (STAINLESS STEEL AVAILABLE)



Transition Plate Reducer

TMI® 8-Bolt/ISO 6164 Flange Mount Style



TPR04-74 Transition Plate Reducer - TMI® 8-Bolt/ISO 6164 'O' Ring Face With Countersunk Holes Complete With Buna 'O' Ring (Standard) and #4 SAE Port (Plugged)

Size (TMI® 8-Bolt x ISO 6164)	Reducer Part No.	Dimensions (in)						C'Tbore Bolt	Tap UNC-2B	'O' Ring (Buna) Part No.	WT. lbs/ pc	Working Pressure PSI (bar)
		T	T1	D	D1	OD	E					
5" x 4"	TPR04-74-500 x 400-*	7.88	6.89	4.00	3.50	9.88	2.00	1"-8	1 1/8"-7	OR*-2-353	28.70	4000 (275)

* INSERT ' V ' TO INDICATE OPTIONAL VITON 'O' RING

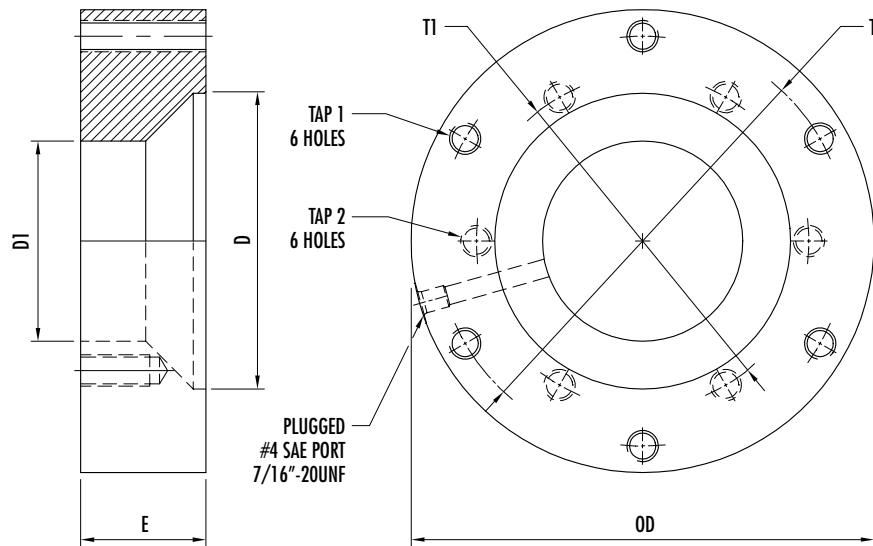
• OTHER REDUCTIONS ARE AVAILABLE (CONSULT FACTORY)

MATERIAL: CARBON STEEL, YELLOW ZINC DICHROMATE PLATED, (STAINLESS STEEL AVAILABLE)



Low Pressure Transition Plate Reducer

TMI® 6-Bolt Flange Union Style



TPR16 Low Pressure Transition Plate Reducer - TMI® 6-Bolt Flat Face With Tapped Holes Complete With #4 SAE Port (Plugged)

Size	Reducer Part No.	Dimensions (in)						Tap1 UNC-2B	Tap2 UNC-2B	WT. lbs/pc	Working Pressure PSI (bar)
		T	T1	D	D1	OD	E				
3" x 2 1/2"	TPR16-300 x 250-*	4.85	4.03	3.07	2.47	6.00	1.75	5/8"-11	1/2"-13	10.08	750 (52)
4" x 2 1/2"	TPR16-400 x 250-*	5.97	4.03	4.03	2.47	7.00	2.25	5/8"-11	1/2"-13	19.46	750 (52)
4" x 3"	TPR16-400 x 300-*	5.97	4.85	4.03	3.07	7.00	2.25	5/8"-11	5/8"-11	17.66	750 (52)
5" x 3"	TPR16-500 x 300-*	7.01	4.85	5.05	3.07	8.25	2.50	5/8"-11	5/8"-11	30.21	750 (52)
5" x 4"	TPR16-500 x 400-*	7.01	5.97	5.05	4.03	8.25	2.25	5/8"-11	5/8"-11	23.69	750 (52)
6" x 4"	TPR16-600 x 400-*	8.19	5.97	6.07	4.03	9.25	2.50	5/8"-11	5/8"-11	36.05	700 (48)
6" x 5"	TPR16-600 x 500-*	8.19	7.01	6.07	5.05	9.25	2.25	5/8"-11	5/8"-11	28.54	700 (48)

* INSERT ' V ' TO INDICATE OPTIONAL VITON 'O' RING FOR #4 SAE PLUG

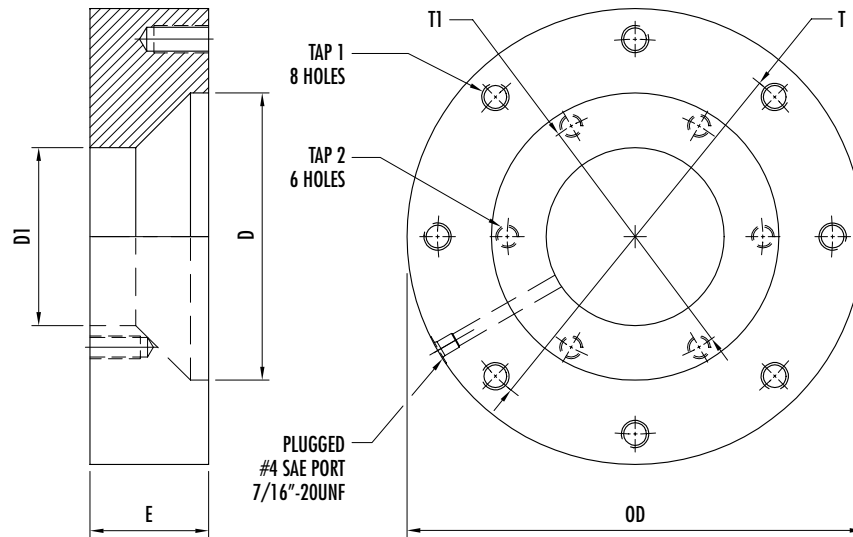
• OTHER REDUCTIONS ARE AVAILABLE (CONSULT FACTORY)

MATERIAL: CARBON STEEL, YELLOW ZINC DICHROMATE PLATED, (STAINLESS STEEL AVAILABLE)



Low Pressure Transition Plate Reducer

TMI® 8-Bolt/6-Bolt Flange Union Style



TPR1-16 Low Pressure Transition Plate Reducer - TMI® 8-Bolt/6-Bolt Flat Face With Tapped Holes Complete With #4 SAE Port (Plugged)

Size	Reducer Part No.	Dimensions (in)						Tap1 UNC-2B	Tap2 UNC-2B	WT. lbs/pc	Working Pressure PSI (bar)
		T	T1	D	D1	OD	E				
8" x 5"	TPR1-16-800 x 500-*	10.83	7.01	7.98	5.05	12.50	3.25	3/4"-10	5/8"-11	90.72	600 (40)
8" x 6"	TPR1-16-800 x 600-*	10.83	8.19	7.98	6.07	12.50	3.25	3/4"-10	5/8"-11	82.70	600 (40)

* INSERT ' V ' TO INDICATE OPTIONAL VITON 'O' RING FOR #4 SAE PLUG

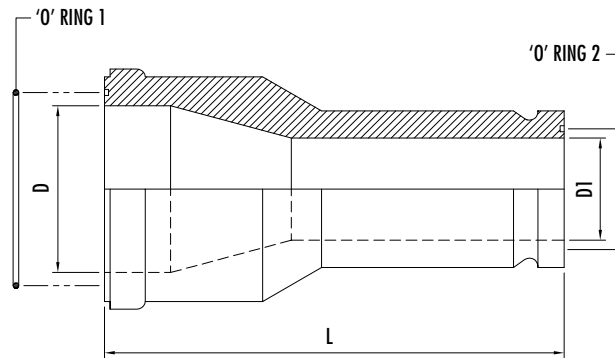
• OTHER REDUCTIONS ARE AVAILABLE (CONSULT FACTORY)

MATERIAL: CARBON STEEL, YELLOW ZINC DICHROMATE PLATED, (STAINLESS STEEL AVAILABLE)



Retain Ring Flange Reducer

Concentric Style - Body Only



CR Concentric Reducer

Complete With Buna 'O' Rings (Standard)

Size	Reducer Part No.	Dimensions (in)			'O' Ring 1 (Buna) Part No.	'O' Ring 2 (Buna) Part No.	WT. lbs/pc	Working Pressure PSI (bar)
		L	D	D1				
3/4" x 1/2"	CR-075 x 050-*	3.72	0.79	0.42	OR*-3-913	OR*-3-909	0.86	Note 1.
1" x 1/2"	CR-100 x 050-*	3.72	0.91	0.42	OR*-3-916	OR*-3-909	0.95	
1" x 3/4"	CR-100 x 075-*	4.50	0.91	0.62	OR*-3-916	OR*-3-913	1.46	
1 1/4" x 3/4"	CR-125 x 075-*	4.50	1.18	0.62	OR*-3-918	OR*-3-913	1.68	
1 1/4" x 1"	CR-125 x 100-*	4.50	1.18	0.78	OR*-3-918	OR*-3-916	1.73	
1 1/2" x 1"	CR-150 x 100-*	4.50	1.54	0.78	OR*-3-924	OR*-3-916	2.08	
1 1/2" x 1 1/4"	CR-150 x 125-*	5.26	1.54	1.06	OR*-3-924	OR*-3-918	2.53	
2" x 1 1/4"	CR-200 x 125-*	5.26	1.93	1.06	OR*-3-928	OR*-3-918	3.22	
2" x 1 1/2"	CR-200 x 150-*	5.26	1.93	1.41	OR*-3-928	OR*-3-924	3.43	
2 1/2" x 1 1/2"	CR-250 x 150-*	6.06	2.36	1.41	OR*-2-232	OR*-3-924	4.85	
2 1/2" x 2"	CR-250 x 200-*	6.06	2.36	1.80	OR*-2-232	OR*-3-928	5.07	
3" x 2"	CR-300 x 200-*	6.98	2.88	1.80	OR*-2-237	OR*-3-928	-	
3" x 2 1/2"	CR-300 x 250-*	6.98	2.88	2.36	OR*-2-237	OR*-2-232	-	
4" x 2 1/2"	CR-400 x 250-*	7.76	3.35	2.36	OR*-2-241	OR*-2-232	-	
4" x 3"	CR-400 x 300-*	7.76	3.35	2.88	OR*-2-241	OR*-2-237	-	

* INSERT 'V' TO INDICATE OPTIONAL VITON 'O' RINGS

Note: 1) BODY ONLY WORKING PRESSURE RATING MEETS OR EXCEEDS FLANGE RATINGS SELECTED FOR AN ASSEMBLY - REFERENCE PAGE J21

• TO ORDER COMPLETE ASSEMBLY REFERENCE PAGE J21

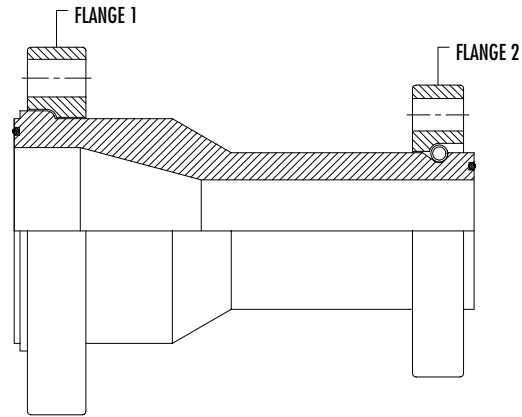
MATERIAL: CARBON STEEL, YELLOW ZINC DICHROMATE PLATED, (STAINLESS STEEL AVAILABLE)



Retain Ring Flange Reducer Assembly

Complete Assembly Part Number

Typical A/CR Assembly



COMPLETE ASSEMBLY CONSISTS OF:

- ONE (1) CONCENTRIC REDUCER BODY (ref. page J20)
- TWO (2) RETAIN RING FLANGES (ref. pages C8-C10)
- ONE (1) RETAIN RING
- TWO (2) BUNA 'O' RINGS (STANDARD)
- ENDS SEALED WITH 6 MIL HEAT SHRINK MATERIAL (1/2"-3")
- ENDS SEALED WITH POSITIVE CLOSURE (4")

		Code	A	/	CR	-	Body Material	-	Body Size	-	Flange 1	-	Flange 2	-	Options
Assembly		A													
Concentric Reducer		CR													
Body Material Carbon Steel (Standard)	No Designation Required														
Body Material Stainless Steel (Optional) Ref. page (C7)	TMP304SS	304													
	TMP316SS	316													
Body Size Ref. page (J20)	3/4" x 1/2"	075 x 050													
	1" x 1/2"	100 x 050													
	1" x 3/4"	100 x 075													
	1 1/4" x 3/4"	125 x 075													
	1 1/4" x 1"	125 x 100													
	1 1/2" x 1"	150 x 100													
	1 1/2" x 1 1/4"	150 x 125													
	2" x 1 1/4"	200 x 125													
	2" x 1 1/2"	200 x 150													
	2 1/2" x 1 1/2"	250 x 150													
	2 1/2" x 2"	250 x 200													
	3" x 2"	300 x 200													
	3" x 2 1/2"	300 x 250													
	4" x 2 1/2"	400 x 250													
4" x 3"	400 x 300														
Flange Type Ref. pages (C8-C10)	RFC34 SAE Code 61 W/Clearance Holes	FC34													
	*RFT34 SAE Code 61 W/Tapped Holes	FT34													
	RFC64 SAE Code 62 W/Clearance Holes	FC64													
	*RFT64 SAE Code 62 W/Tapped Holes	FT64													
	RFC74 ISO 6164 W/Clearance Holes	FC74													
	**RFC49 TMI® 9-Bolt W/Clearance Holes	FC49													
Options	Viton	V													
	Painted (Specify)	P													
Complete Stainless Steel Assembly: (including flanges)		SS													

- * NORMALLY USED FOR CONNECTION TO SPLIT FLANGE TYPE ENDS.
- FOR CONNECTION TO HOSE USE CONNECTOR PLATE **OCP** (TO BE ORDERED SEPARATELY) REF. PAGE J24
- **FOR USE WITH 9-BOLT BALL VALVE CONNECTIONS (REF. PAGE P10)

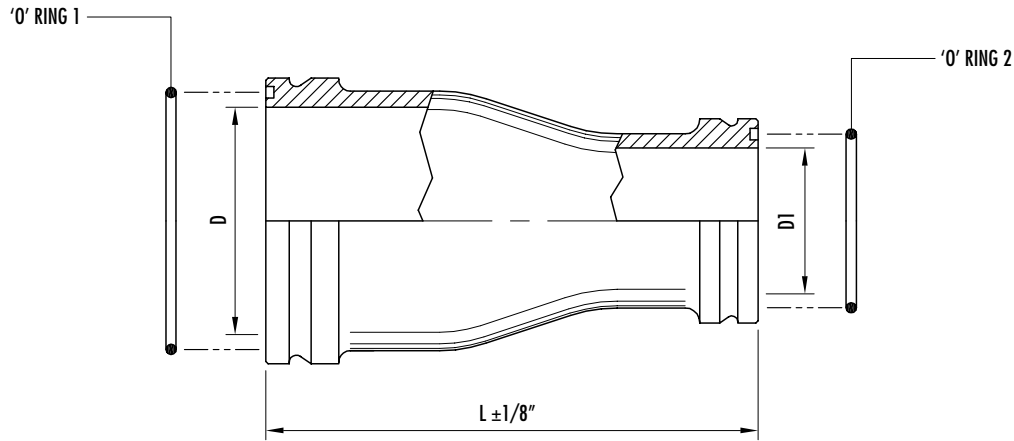
PART NO. (EXAMPLE):
A/CR - 100 x 050 - FC34 - FC34

- ASSEMBLY WORKING PRESSURE RATINGS ARE SUBJECT TO THE FLANGE RATINGS.
- SEE REFERENCE PAGE INDICATED ABOVE FOR PRESSURE RATINGS.
- FOR BOLT KITS - REFERENCE SECTION R



Low Pressure Retain Ring Flange Reducer

Concentric Style - Body Only



LRR Low Pressure Retain Ring Flange Reducer - Body Only (segmentally welded)
Complete with Buna 'O' Rings (Standard)

Size	Reducer Body Part No.	Dimensions (in)			'O' Ring 1 (Buna) Part No.	'O' Ring 2 (Buna) Part No.	WT. lbs/pc	Working Pressure PSI (bar)
		L	D	D1				
3" x 2 1/2"	LRR-300 x 250-*	6.64	3.07	2.47	OR*-2-237	OR*-2-232	4.45	750 (52)
4" x 2 1/2"	LRR-400 x 250-*	7.14	4.03	2.47	OR*-2-245	OR*-2-232	6.39	750 (52)
4" x 3"	LRR-400 x 300-*	7.35	4.03	3.07	OR*-2-245	OR*-2-237	6.93	750 (52)
5" x 3"	LRR-500 x 300-*	8.54	5.05	3.07	OR*-2-253	OR*-2-237	10.25	750 (52)
5" x 4"	LRR-500 x 400-*	8.54	5.05	4.03	OR*-2-253	OR*-2-245	11.44	750 (52)
6" x 4"	LRR-600 x 400-*	9.24	6.07	4.03	OR*-2-259	OR*-2-245	15.81	700 (48)
6" x 5"	LRR-600 x 500-*	9.43	6.07	5.05	OR*-2-259	OR*-2-253	17.26	700 (48)
8" x 5"	LRR-800 x 500-*	10.32	7.98	5.05	OR*-2-372	OR*-2-253	25.30	600 (40)
8" x 6"	LRR-800 x 600-*	10.52	7.98	6.07	OR*-2-372	OR*-2-259	28.66	600 (40)

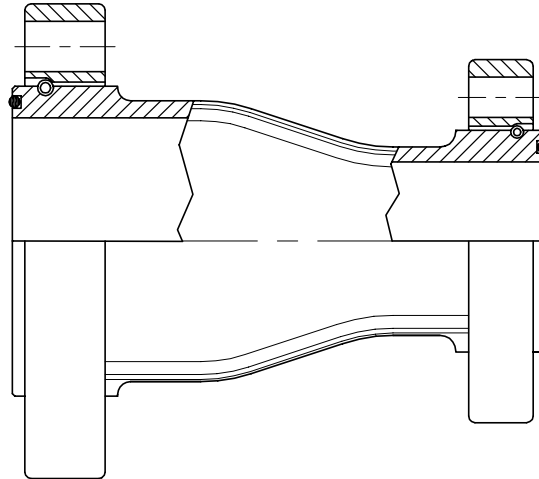
- * INSERT ' V ' TO INDICATE OPTIONAL VITON 'O' RINGS
 - TO ORDER COMPLETE ASSEMBLY REFERENCE PAGE J23
 - REDUCER BODY INCLUDES BUTT WELD ADAPTERS (REF. PAGES D10-D13)
- MATERIAL:** CARBON STEEL, (STAINLESS STEEL AVAILABLE)



Low Pressure Retain Ring Flange Reducer Assembly

Complete Assembly Part Number

Typical A/LRR Assembly



COMPLETE ASSEMBLY CONSISTS OF:

- ONE (1) LOW PRESSURE RETAIN RING FLANGE REDUCER BODY
- TWO (2) LOW PRESSURE RETAIN RING FLANGES (REF. PAGES D8-D9)
- TWO (2) LOW PRESSURE RETAIN RINGS
- TWO (2) BUNA 'O' RINGS (STANDARD)
- ENDS SEALED WITH 6 MIL HEAT SHRINK MATERIAL (2 1/2" & 3")
- ENDS SEALED WITH POSITIVE CLOSURE (4"-8")

A/LRR Low Pressure Retain Ring Flange Reducer Assembly

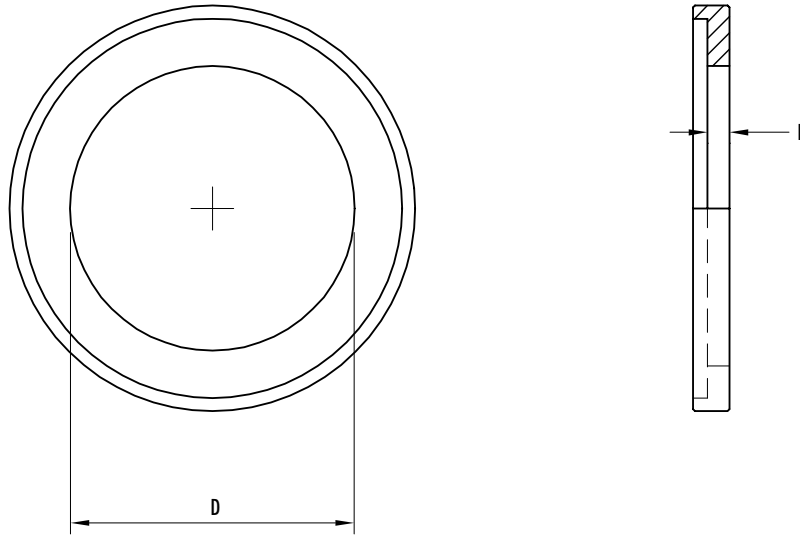
Size	Reducer Assembly Part No.	WT. (Assembly) lbs/pc	Working Pressure PSI (bar)
3" x 2 1/2"	A/LRR-300 x 250-*	10.41	750 (52)
4" x 2 1/2"	A/LRR-400 x 250-*	13.23	750 (52)
4" x 3"	A/LRR-400 x 300-*	17.34	750 (52)
5" x 3"	A/LRR-500 x 300-*	22.65	750 (52)
5" x 4"	A/LRR-500 x 400-*	26.66	750 (52)
6" x 4"	A/LRR-600 x 400-*	32.22	700 (48)
6" x 5"	A/LRR-600 x 500-*	35.66	700 (48)
8" x 5"	A/LRR-800 x 500-*	53.16	600 (40)
8" x 6"	A/LRR-800 x 600-*	57.71	600 (40)

* INSERT ' V ' TO INDICATE OPTIONAL VITON 'O' RINGS

MATERIAL: CARBON STEEL, (STAINLESS STEEL AVAILABLE)



'O' Ring Connector Plate



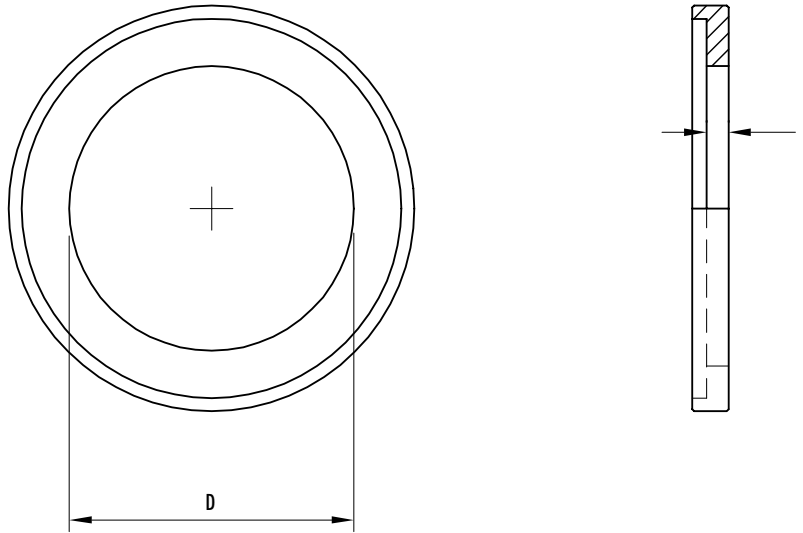
OCP 'O' Ring Connector Plate for Retain Ring Components

Size	Connector Plate Part No.	Dimensions (in)		WT. lbs/pc
		D	L	
1/2"	OCP-050	0.50	0.13	0.04
3/4"	OCP-075	0.75	0.13	0.06
1"	OCP-100	0.94	0.13	0.07
1 1/4"	OCP-125	1.20	0.13	0.08
1 1/2"	OCP-150	1.50	0.13	0.11
2"	OCP-200	1.94	0.13	0.13
2 1/2"	OCP-250	2.36	0.13	0.17
3"	OCP-300	2.88	0.13	0.25
4"	OCP-400	3.35	0.13	0.34

MATERIAL: CARBON STEEL, YELLOW ZINC DICHROMATE PLATED, (STAINLESS STEEL AVAILABLE)



Low Pressure 'O' Ring Connector Plate



LOCP Low Pressure 'O' Ring Connector Plate

Size	Connector Plate Part No.	Dimensions (in)		WT. lbs/pc
		D	L	
2 1/2"	LOCP-250	2.47	1.13	0.15
3"	LOCP-300	3.07	1.13	0.21
4"	LOCP-400	4.03	1.13	0.32
5"	LOCP-500	5.05	1.19	0.58
6"	LOCP-600	6.07	1.19	0.79
8"	LOCP-800	7.98	1.19	1.35

MATERIAL: CARBON STEEL, YELLOW ZINC DICHROMATE PLATED, (STAINLESS STEEL AVAILABLE)



