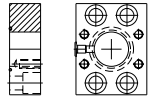
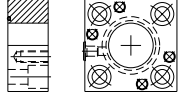




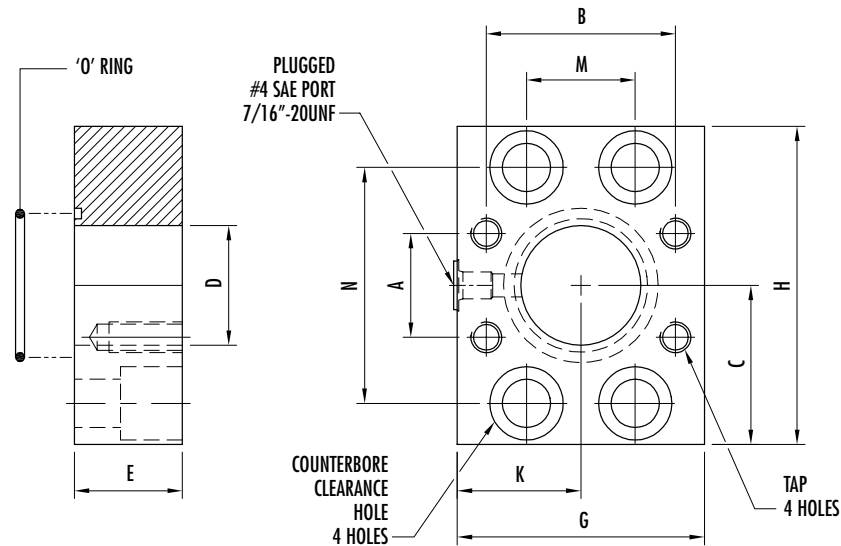
# Transition Plates - Visual Index

TRANSITION PLATE MANIFOLD MOUNT STYLE	TP06-34 SAE CODE 62/CODE 61  $\frac{1}{2}$ " - 2"      Page K2	TP07-34 ISO 6164/CODE 61  $2\frac{1}{2}$ " - 3"      Page K3		



# Transition Plate

SAE Code 62/Code 61 Flange Manifold Mount Style



## TP06-34 Transition Plate - SAE Code 62/61 'O' Ring Face With Countersunk Holes Complete With Buna 'O' Ring (Standard) and #4 SAE Port (Plugged)

Size	Transition Plate Part No.	Dimensions (in)										C'Thore Bolt	Tap UNC-2B	'O' Ring (Buna) Part No.	WT. lbs/pc	Working Pressure PSI (bar)
		A	B	C	D	E	G	H	K	M	N					
1/2"	TP06-34-050-*	0.69	1.50	1.25	0.50	1.00	2.50	2.50	1.50	0.72	1.59	5/16"-18	5/16"-18	OR*-2-210	1.47	5000 (350)
3/4"	TP06-34-075-*	0.88	1.88	1.50	0.75	1.00	3.00	3.00	1.75	0.94	2.00	3/8"-16	3/8"-16	OR*-2-214	2.05	5000 (350)
1"	TP06-34-100-*	1.03	2.06	1.50	0.94	1.00	3.00	3.00	1.50	1.09	2.25	7/16"-14	3/8"-16	OR*-2-219	1.81	5000 (350)
1 1/4"	TP06-34-125-*	1.19	2.31	2.00	1.25	1.25	3.00	4.00	1.50	1.25	2.63	1/2"-13	7/16"-14	OR*-2-222	3.08	4000 (275)
1 1/2"	TP06-34-150-*	1.41	2.75	2.25	1.50	1.50	4.00	4.50	2.00	1.44	3.13	5/8"-11	1/2"-13	OR*-2-225	4.60	3000 (210)
2"	TP06-34-200-*	1.69	3.06	2.75	1.94	1.75	4.00	5.50	2.00	1.75	3.81	3/4"-10	1/2"-13	OR*-2-228	6.94	3000 (210)

\* INSERT 'V' TO INDICATE OPTIONAL VITON 'O' RING

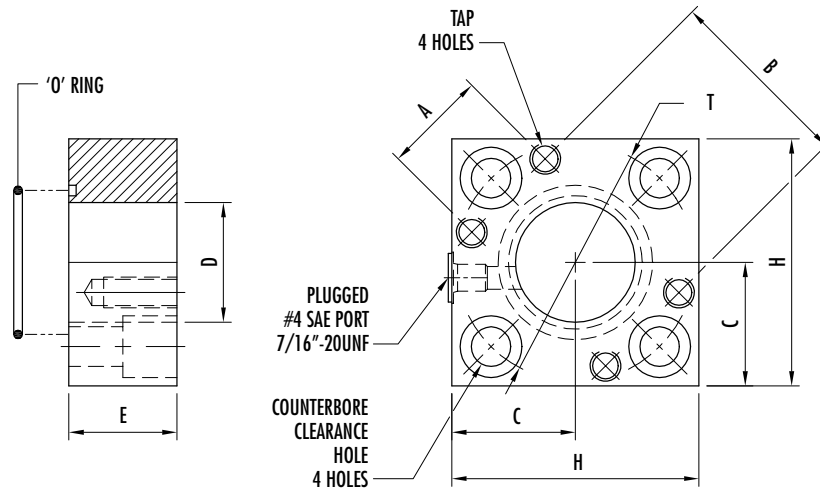
• FOR BOLT KIT - REFERENCE SECTION R

**MATERIAL:** CARBON STEEL, YELLOW ZINC DICHROMATE PLATED, (STAINLESS STEEL AVAILABLE)



# Transition Plate

ISO 6164/SAE Code 61 Flange Manifold Mount Style



## TP07-34 Transition Plate - ISO 6164/SAE Code 61 'O' Ring Face With Countersunk Holes Complete With Buna 'O' Ring (Standard) and #4 SAE Port (Plugged)

Size	Transition Plate Part No.	Dimensions (in)							C'Tbore Bolt	Tap UNC-2B	'O' Ring (Buna) Part No.	WT. lbs/pc	Working Pressure PSI (bar)
		A	B	C	D	E	H	T					
2 1/2"	TP07-34-250-*	2.00	3.50	2.50	2.38	1.50	5.00	4.65	3/4"-10	1/2"-13	OR*-2-232	5.43	2500 (175)
3"	TP07-34-300-*	2.44	4.19	3.00	2.88	1.75	6.00	5.71	1"-8	5/8"-11	OR*-2-237	10.47	2000 (140)

\* INSERT 'V' TO INDICATE OPTIONAL VITON 'O' RING

• FOR BOLT KIT - REFERENCE SECTION R

**MATERIAL:** CARBON STEEL, YELLOW ZINC DICHROMATE PLATED, (STAINLESS STEEL AVAILABLE)



