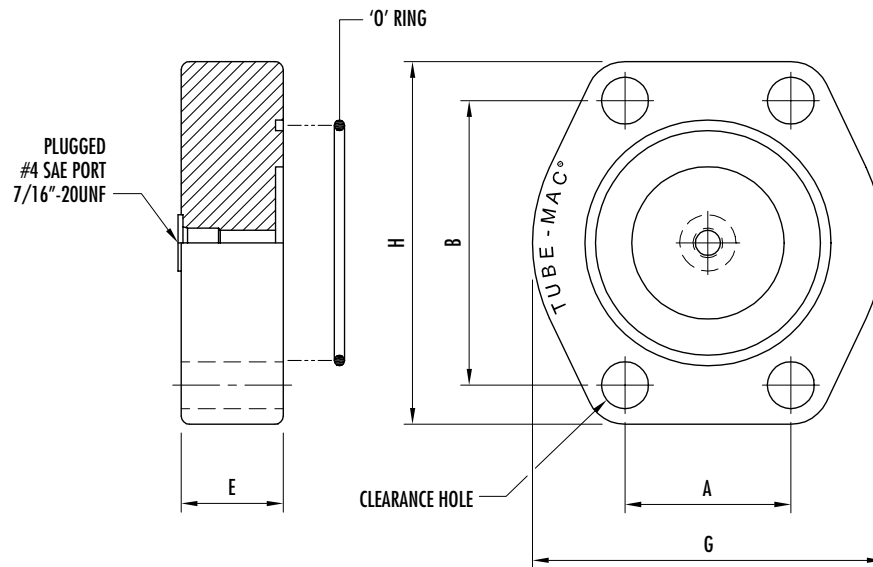


Blanking Flange

SAE Flanges - 'O' Ring Face



BF034 Blanking Flange - SAE Code 61 'O' Ring Face With Clearance Holes

Complete With Buna 'O' Ring (Standard) and #4 SAE Port (Plugged)

Size	Blanking Flange Part No.	Dimensions (in)					Bolt Minimum Grade 5	'O' Ring (Buna) Part No.	WT. lbs/pc	Working Pressure PSI (bar)	Bolt Torque ft.lbs.
		A	B	G	H	E					
1/2"	BF034-050-*	0.69	1.50	1.81	2.16	0.81	5/16" UNC	OR*-2-210	0.53	5000 (350)	15-18
3/4"	BF034-075-*	0.88	1.88	2.06	2.56	0.82	3/8" UNC	OR*-2-214	0.66	5000 (350)	20-30
1"	BF034-100-*	1.03	2.06	2.31	2.76	0.87	3/8" UNC	OR*-2-219	1.00	5000 (350)	20-30
1 1/4"	BF034-125-*	1.19	2.31	2.88	3.11	0.91	7/16" UNC	OR*-2-222	1.28	4000 (275)	40-50
1 1/2"	BF034-150-*	1.41	2.75	3.25	3.66	1.06	1/2" UNC	OR*-2-225	1.87	3000 (210)	80-90
2"	BF034-200-*	1.69	3.06	3.81	4.02	1.22	1/2" UNC	OR*-2-228	2.38	3000 (210)	80-90
2 1/2"	BF034-250-*	2.00	3.50	4.28	4.49	1.40	1/2" UNC	OR*-2-232	3.03	2500 (175)	80-90
3"	BF034-300-*	2.44	4.19	5.16	5.28	1.67	5/8" UNC	OR*-2-237	5.23	2000 (140)	110-120
4"	BF034-400-*	3.06	5.13	6.00	6.38		5/8" UNC	OR*-2-241	7.70	500 (35)	110-120

BF064 Blanking Flange - SAE Code 62 'O' Ring Face With Clearance Holes

Complete With Buna 'O' Ring (Standard) and #4 SAE Port (Plugged)

Size	Blanking Flange Part No.	Dimensions (in)					Bolt Minimum Grade 5	'O' Ring (Buna) Part No.	WT. lbs/pc	Working Pressure PSI (bar)	Bolt Torque ft.lbs.
		A	B	G	H	E					
1/2"	BF064-050-*	0.72	1.59	1.88	2.22	0.81	5/16" UNC	OR*-2-210	0.53	6000 (420)	15-18
3/4"	BF064-075-*	0.94	2.00	2.38	2.81	1.02	3/8" UNC	OR*-2-214	1.08	6000 (420)	20-30
1"	BF064-100-*	1.09	2.25	2.75	3.19	1.03	7/16" UNC	OR*-2-219	1.70	6000 (420)	40-50
1 1/4"	BF064-125-*	1.25	2.63	3.06	3.75	1.25	1/2" UNC	OR*-2-222	2.63	6000 (420)	80-90
1 1/2"	BF064-150-*	1.44	3.13	3.75	4.44	1.38	5/8" UNC	OR*-2-225	3.90	6000 (420)	110-120
2"	BF064-200-*	1.75	3.81	4.50	5.25	1.68	3/4" UNC	OR*-2-228	5.66	6000 (420)	120-130

* INSERT 'V' TO INDICATE OPTIONAL VITON 'O' RINGS

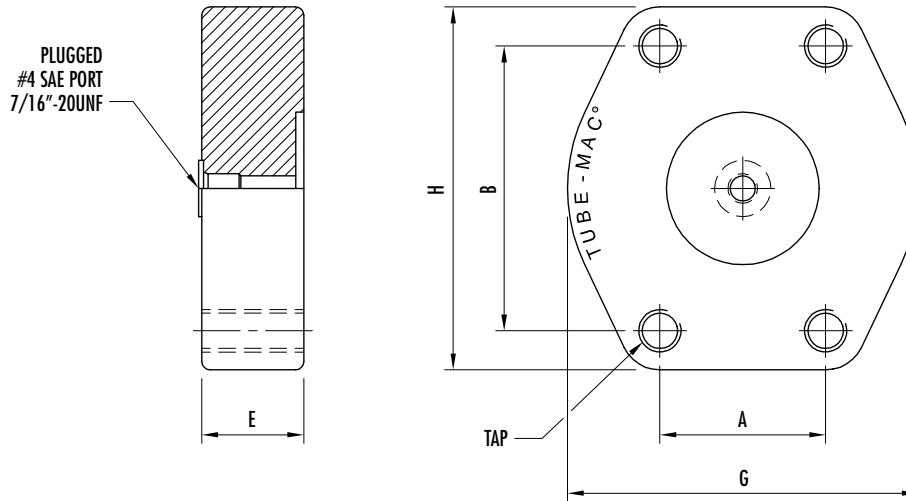
• FOR BOLT KIT - REFERENCE SECTION R

MATERIAL: CARBON STEEL, YELLOW ZINC DICHROMATE PLATED, (STAINLESS STEEL AVAILABLE)



Blanking Flange

SAE Flanges - Flat Face



BFF34 Blanking Flange - SAE Code 61 Flat Face With UNC Tapped Holes

Complete With #4 SAE Port (Plugged)

Size	Blanking Flange Part No.	Dimensions (in)					Tap UNC-2B	WT. lbs/pc	Working Pressure PSI (bar)	Bolt Torque ft.lbs.
		A	B	G	H	E				
1/2"	BFF34-050-*	0.69	1.50	1.81	2.16	0.81	5/16"-18	0.56	5000 (350)	15-18
3/4"	BFF34-075-*	0.88	1.88	2.06	2.56	0.82	3/8"-16	0.72	5000 (350)	20-30
1"	BFF34-100-*	1.03	2.06	2.31	2.76	0.87	3/8"-16	1.33	5000 (350)	20-30
1 1/4"	BFF34-125-*	1.19	2.31	2.88	3.11	0.91	7/16"-14	1.43	4000 (275)	40-50
1 1/2"	BFF34-150-*	1.41	2.75	3.25	3.66	1.06	1/2"-13	2.23	3000 (210)	80-90
2"	BFF34-200-*	1.69	3.06	3.81	4.02	1.22	1/2"-13	2.86	3000 (210)	80-90
2 1/2"	BFF34-250-*	2.00	3.50	4.28	4.49	1.40	1/2"-13	3.46	2500 (175)	80-90
3"	BFF34-300-*	2.44	4.19	5.16	5.28	1.67	5/8"-11	5.82	2000 (140)	110-120
4"	BFF34-400-*	3.06	5.13	6.00	6.38		5/8"-11	8.40	500 (35)	110-120

BFF64 Blanking Flange - SAE Code 62 Flat Face With UNC Tapped Holes

Complete With #4 SAE Port (Plugged)

Size	Blanking Flange Part No.	Dimensions (in)					Tap UNC-2B	WT. lbs/pc	Working Pressure PSI (bar)	Bolt Torque ft.lbs.
		A	B	G	H	E				
1/2"	BFF64-050-*	0.72	1.59	1.88	2.22	0.81	5/16"-18	0.56	6000 (420)	15-18
3/4"	BFF64-075-*	0.94	2.00	2.38	2.81	1.02	3/8"-16	1.08	6000 (420)	20-30
1"	BFF64-100-*	1.09	2.25	2.75	3.19	1.03	7/16"-14	1.79	6000 (420)	40-50
1 1/4"	BFF64-125-*	1.25	2.63	3.06	3.75	1.25	1/2"-13	2.74	6000 (420)	80-90
1 1/2"	BFF64-150-*	1.44	3.13	3.75	4.44	1.38	5/8"-11	4.01	6000 (420)	110-120
2"	BFF64-200-*	1.75	3.81	4.50	5.25	1.68	3/4"-10	5.82	6000 (420)	120-130

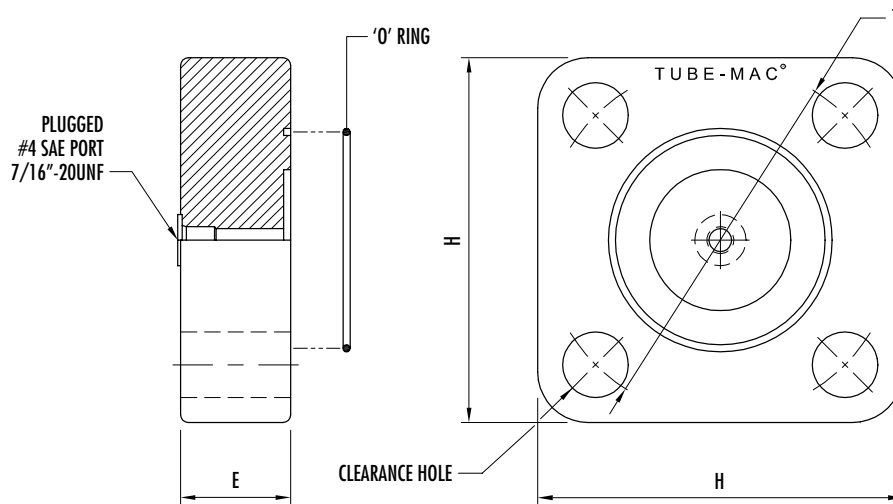
* INSERT 'V' TO INDICATE OPTIONAL VITON 'O' RING FOR #4 SAE PLUG

MATERIAL: CARBON STEEL, YELLOW ZINC DICHROMATE PLATED, (STAINLESS STEEL AVAILABLE)



Blanking Flange

ISO 6164 - 'O' Ring Face



BF074 Blanking Flange - ISO 6164 'O' Ring Face With Clearance Holes

Complete With Buna 'O' Ring (Standard) and #4 SAE Port (Plugged)

Size	Blanking Flange Part No.	Dimensions (in)			Bolt Minimum Grade 5	'O' Ring (Buna) Part No.	WT. lbs/pc	Working Pressure PSI (bar)	Bolt Torque ft.lbs.
		T	H	E					
2 1/2"	BF074-250-*	4.65	4.72	1.48	3/4" UNC	OR*-2-232	8.71	5800 (400)	120-130
3"	BF074-300-*	5.71	5.91	1.73	1" UNC	OR*-2-237	16.01	5800 (400)	350-400
4"	BF074-400-*	6.89	7.00	1.98	1 1/8" UNC	OR*-2-241	25.23	5800 (400)	500-550

* INSERT 'V' TO INDICATE OPTIONAL VITON 'O' RING

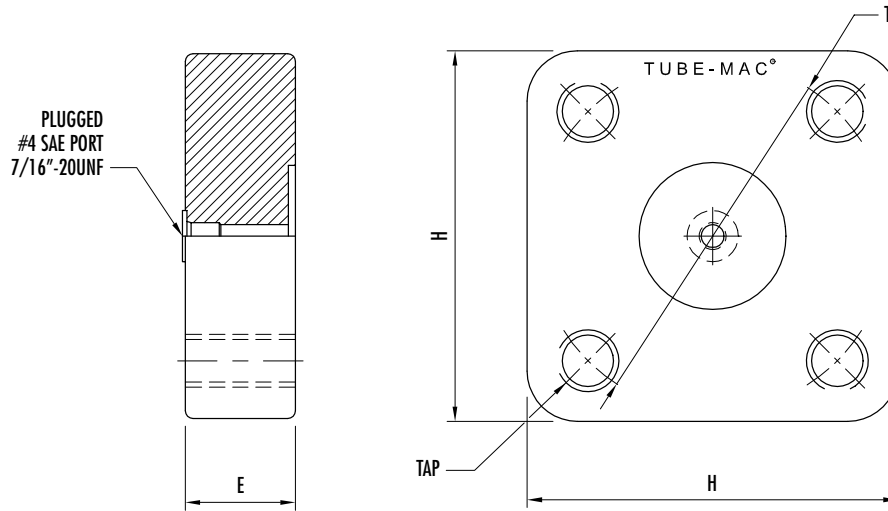
• FOR BOLT KIT - REFERENCE SECTION R

MATERIAL: CARBON STEEL, YELLOW ZINC DICHROMATE PLATED, (STAINLESS STEEL AVAILABLE)



Blanking Flange

ISO 6164 - Flat Face



BFF74 Blanking Flange - ISO 6164 Flat Face With Tapped Holes

Complete With #4 SAE Port (Plugged)

Size	Blanking Flange Part No.	Dimensions (in)			Tap UNC-2B	WT. lbs/pc	Working Pressure PSI (bar)	Bolt Torque ft.lbs.
		T	H	E				
2 1/2"	BFF74-250-*	4.65	4.72	1.48	3/4"-10	8.76	5800 (400)	120-130
3"	BFF74-300-*	5.71	5.91	1.73	1"-8	16.07	5800 (400)	350-400
4"	BFF74-400-*	6.89	7.00	1.98	1 1/8"-7	25.31	5800 (400)	500-550

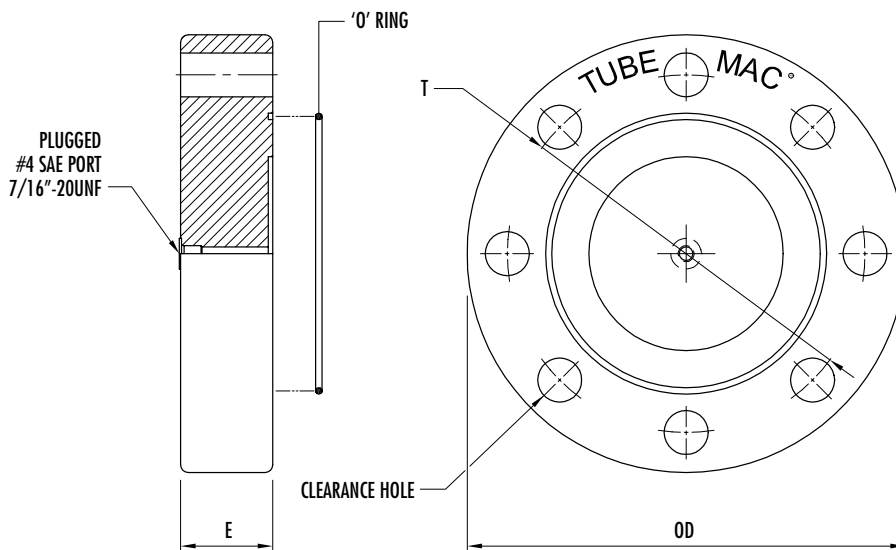
* INSERT 'V' TO INDICATE OPTIONAL VITON 'O' RING FOR #4 SAE PLUG

MATERIAL: CARBON STEEL, YELLOW ZINC DICHROMATE PLATED, (STAINLESS STEEL AVAILABLE)



Blanking Flange

TMI® 8-Bolt - 'O' Ring Face



BF048 Blanking Flange - TMI® 8-Bolt 'O' Ring Face With Clearance Holes

Complete With Buna 'O' Ring (Standard) and #4 SAE Port (Plugged)

Size	Blanking Flange Part No.	Dimensions (in)			Bolt	'O' Ring (Buna) Part No.	WT. lbs/pc	Working Pressure PSI (bar)	Bolt Torque ft.lbs.
		T	OD	E					
5"	BF048-500-*	7.88	9.65	2.00	1" UNC	OR*-2-353	37.84	4000 (275)	350-400
6"	BF048-600-*	9.65	11.81	2.31	◆	OR*-2-359	71.30	3700 (255)	500-550
8"	BF048-800-*	12.40	15.13	3.00	◆	OR*-2-368	126.11	3500 (240)	1100-1200

* INSERT 'V' TO INDICATE OPTIONAL VITON 'O' RING

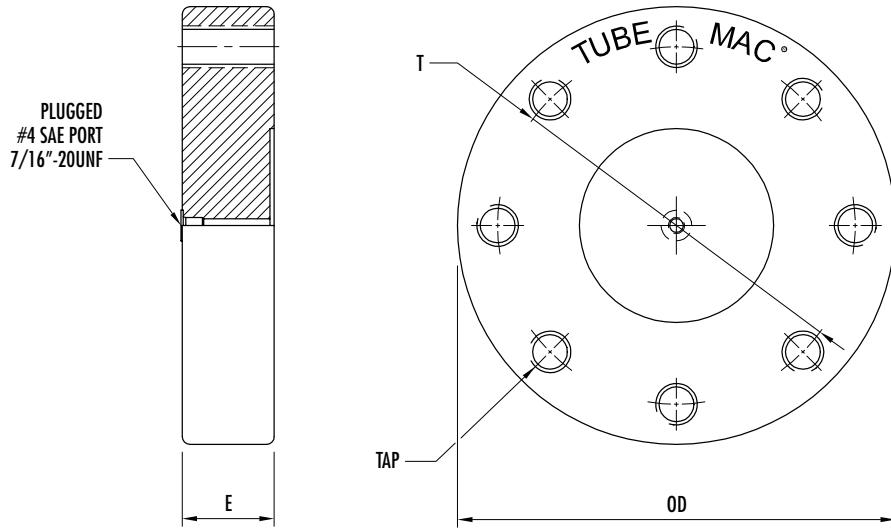
◆ FOR BOLT SIZE AND BOLT KIT - REFERENCE SECTION R

MATERIAL: CARBON STEEL, YELLOW ZINC DICHROMATE PLATED, (STAINLESS STEEL AVAILABLE)



Blanking Flange

TMI® 8-Bolt - Flat Face



BFF48 Blanking Flange - TMI® 8-Bolt Flat Face With Tapped Holes

Complete With #4 SAE Port (Plugged)

Size	Blanking Flange Part No.	Dimensions (in)			Tap UNC-2B	WT. lbs/pc	Working Pressure PSI (bar)	Bolt Torque ft.lbs.
		T	OD	E				
5"	BFF48-500-*	7.88	9.65	2.00	1"-8	38.10	4000 (275)	350-400
6"	BFF48-600-*	9.65	11.81	2.31	1 1/8"-7	72.20	3700 (255)	500-550
8"	BFF48-800-*	12.40	15.13	3.00	1 1/2"-6	127.40	3500 (240)	1100-1200

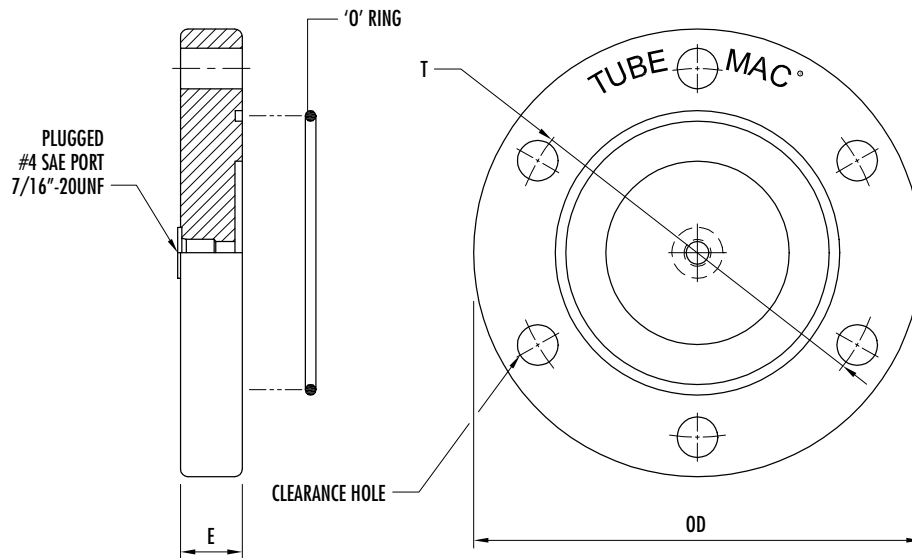
* INSERT 'V' TO INDICATE OPTIONAL VITON 'O' RING FOR #4 SAE PLUG

MATERIAL: CARBON STEEL, YELLOW ZINC DICHROMATE PLATED, (STAINLESS STEEL AVAILABLE)



Low Pressure Blanking Flange

TMI® 6-Bolt - 'O' Ring Face



BF016 Low Pressure Blanking Flange - TMI® 6-Bolt 'O' Ring Face With Clearance Holes

Complete With Buna 'O' Ring (Standard) and #4 SAE Port (Plugged)

Size	Blanking Flange Part No.	Dimensions (in)			Bolt Minimum Grade 5	'O' Ring (Buna) Part No.	WT. lbs/pc	Working Pressure PSI (bar)	Bolt Torque ft.lbs.
		T	OD	E					
2 1/2"	BF016-250-*	4.03	5.00	0.80	1/2" UNC	OR*-2-232	4.18	750 (52)	80-90
3"	BF016-300-*	4.85	5.90	1.00	5/8" UNC	OR*-2-237	7.22	750 (52)	110-120
4"	BF016-400-*	5.97	7.00	1.00	5/8" UNC	OR*-2-245	10.37	750 (52)	110-120
5"	BF016-500-*	7.01	8.27	1.19	5/8" UNC	OR*-2-353	17.47	750 (52)	110-120
6"	BF016-600-*	8.19	9.29	1.38	5/8" UNC	OR*-2-359	25.75	700 (48)	110-120

* INSERT 'V' TO INDICATE OPTIONAL VITON 'O' RING

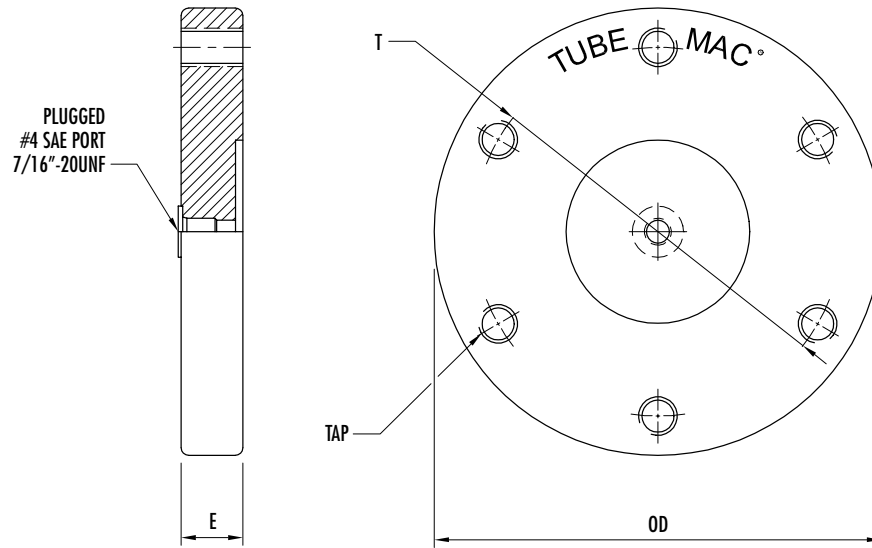
• FOR BOLT KIT - REFERENCE SECTION R

MATERIAL: CARBON STEEL, YELLOW ZINC DICHROMATE PLATED, (STAINLESS STEEL AVAILABLE)



Low Pressure Blanking Flange

TMI® 6-Bolt - Flat Face



BFF16 Low Pressure Blanking Flange - TMI® 6-Bolt Flat Face With Tapped Holes

Complete With #4 SAE Port (Plugged)

Size	Blanking Flange Part No.	Dimensions (in)			Tap UNC-2B	WT. lbs/pc	Working Pressure PSI (bar)	Bolt Torque ft.lbs.
		T	OD	E				
2 1/2"	BFF16-250-*	4.03	5.00	0.80	1/2"-13	4.24	750 (52)	80-90
3"	BFF16-300-*	4.85	5.90	1.00	5/8"-11	7.30	750 (52)	110-120
4"	BFF16-400-*	5.97	7.00	1.00	5/8"-11	10.45	750 (52)	110-120
5"	BFF16-500-*	7.01	8.27	1.19	5/8"-11	17.56	750 (52)	110-120
6"	BFF16-600-*	8.19	9.29	1.38	5/8"-11	25.85	700 (48)	110-120

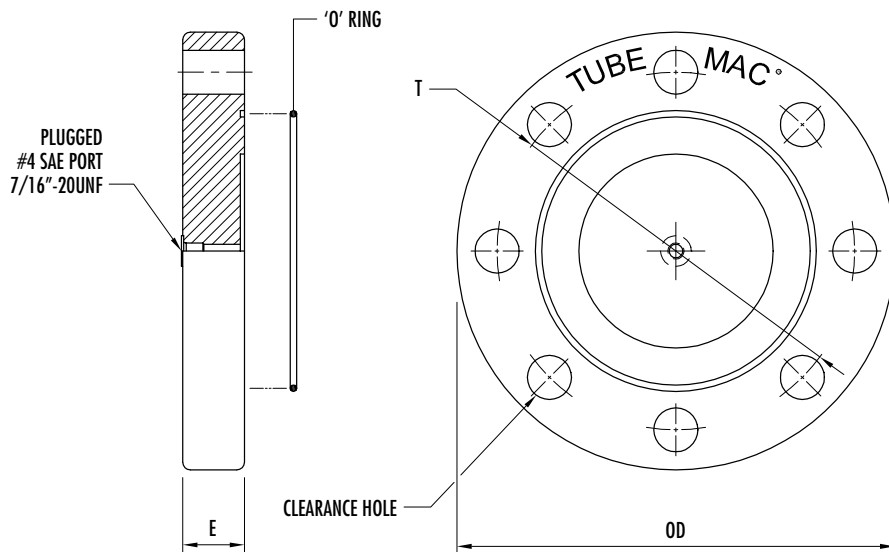
* INSERT 'V' TO INDICATE OPTIONAL VITON 'O' RING FOR #4 SAE PLUG

MATERIAL: CARBON STEEL, YELLOW ZINC DICHROMATE PLATED, (STAINLESS STEEL AVAILABLE)



Low Pressure Blanking Flange

TMI® 8-Bolt - 'O' Ring Face



BF018 Low Pressure Blanking Flange - TMI® 8-Bolt 'O' Ring Face With Clearance Holes

Complete With Buna 'O' Ring (Standard) and #4 SAE Port (Plugged)

Size	Blanking Flange Part No.	Dimensions (in)			Bolt Minimum Grade 5	'O' Ring (Buna) Part No.	WT. lbs/pc	Working Pressure PSI (bar)	Bolt Torque ft.lbs.
		T	OD	E					
8"	BF018-800-*	10.83	12.48	1.58	3/4" UNC	OR*-2-372	53.12	600 (40)	120-130

* INSERT 'V' TO INDICATE OPTIONAL VITON 'O' RING

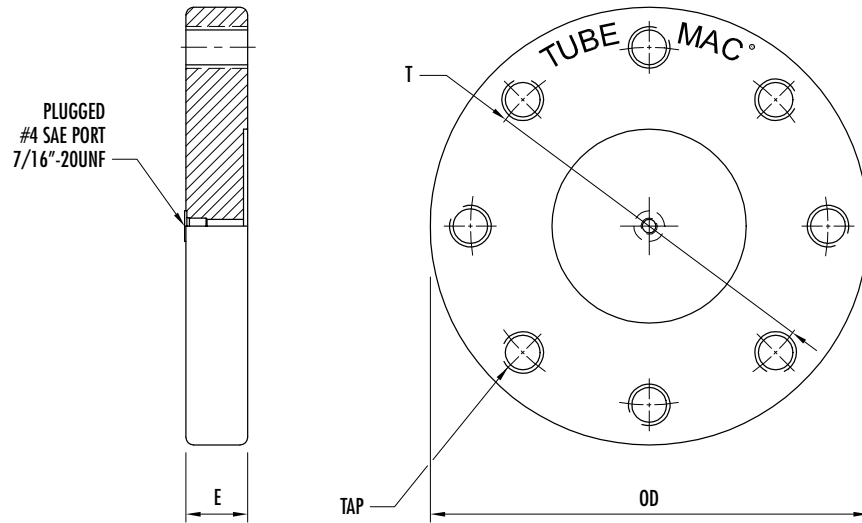
• FOR BOLT KIT - REFERENCE SECTION R

MATERIAL: CARBON STEEL, YELLOW ZINC DICHROMATE PLATED, (STAINLESS STEEL AVAILABLE)



Low Pressure Blanking Flange

TMI® 8-Bolt - Flat Face



BFF18 Low Pressure Blanking Flange - TMI® 8-Bolt Flat Face With Tapped Holes Complete With #4 SAE Port (Plugged)

Size	Blanking Flange Part No.	Dimensions (in)			Tap UNC-2B	WT. lbs/pc	Working Pressure PSI (bar)	Bolt Torque ft.lbs.
		T	OD	E				
8"	BFF18-800-*	10.83	12.48	1.58	3/4"-10	53.51	600 (40)	120-130

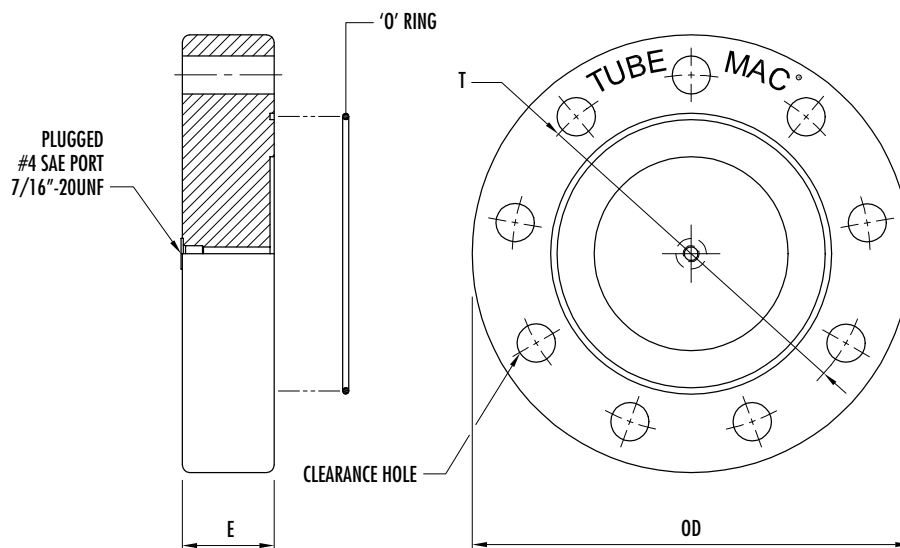
* INSERT 'V' TO INDICATE OPTIONAL VITON 'O' RING FOR #4 SAE PLUG

MATERIAL: CARBON STEEL, YELLOW ZINC DICHROMATE PLATED, (STAINLESS STEEL AVAILABLE)



Blanking Flange

TMI® 9-Bolt - 'O' Ring Face



BF049 Blanking Flange - TMI® 9-Bolt 'O' Ring Face with Clearance Holes

Only for use with 9-Bolt Ball Valve BBVG27 (reference page P10)

Complete with Buna 'O' Ring (Standard) and #4 SAE Port (Plugged)

Size	Blanking Flange Part No.	Dimensions (in)			Bolt Minimum Grade 5	'O' Ring (Buna) Part No.	WT. lbs/pc	Working Pressure PSI (bar)	Bolt Torque ft.lbs.
		T	OD	E					
2 1/2"	BF049-250-*	4.03	4.95	1.48	1/2" UNC	OR*-2-232	4.55	4200 (290)	80-90
3"	BF049-300-*	5.49	6.50	1.73	5/8" UNC	OR*-2-237	8.78	4100 (280)	110-120
4"	BF049-400-*	6.14	7.38	1.98	5/8" UNC	OR*-2-243	11.53	4000 (275)	110-120
5"	BF049-500-*	7.56	9.00	2.00	3/4" UNC	OR*-2-353	18.90	3860 (265)	120-130

* INSERT 'V' TO INDICATE OPTIONAL VITON 'O' RING

• FOR BOLT KIT - REFERENCE SECTION R

MATERIAL: CARBON STEEL, YELLOW ZINC DICHROMATE PLATED, (STAINLESS STEEL AVAILABLE)

